



Installation Instructions

Audio, iPod Interface

Ver 1.0

Page 1 of 10
October 2007
Accessory
Development

These installation instructions supersede all previous versions

SUBJECT

IPOD® INTERFACE GEN3 KIT – P/N 65 11 0 035 964

MODEL

MINI Cooper (R50):	Select Vehicle Production 01/02 – On*
MINI Cooper-S (R53):	Select Vehicle Production 03/02 – On*
MINI Convertible (R52):	Select Vehicle Production 09/04 – On*
MINI Cooper-S JCW GP:	Select Vehicle Production 06/06 – 09/06

* Not compatible with 6-Disc CD Changer (SA672), and/or Hands-Free Phone System.

SUGGESTED INSTALLATION TIME: 0.75 Hours

Total installation time may vary depending on vehicle options and equipment.

The instructions below are developed for MINI vehicles and are not to be compared to any other existing instructions for vehicles other than MINI. No methods other than those specified in this document are to be used for installation in MINI vehicles. Left and right are determined from the driver's seat.

Carefully read all instructions and supplements before proceeding with the installation. Reference should be made to TIS for instructions dealing with a stock part of the vehicle but not stated in detail in these instructions.

The instructions were complete and up to date at time of publication; however, changes to the vehicle or installation may have occurred. Please report any problems or changes noted with the installation to BMW Technical Hotline, along with VIN, date of manufacture and as much detail as possible.

★ DO IT RIGHT THE FIRST TIME, ON TIME, EVERY TIME ★ ★

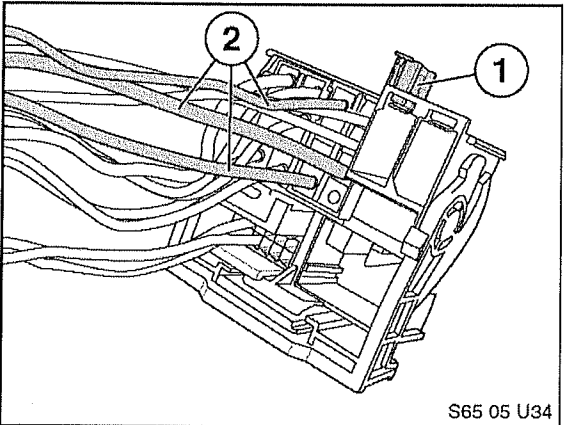
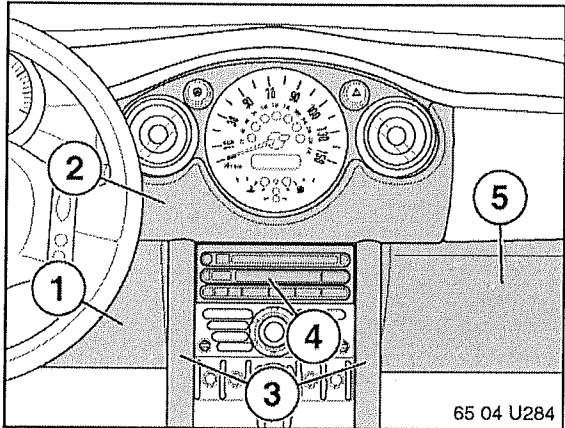
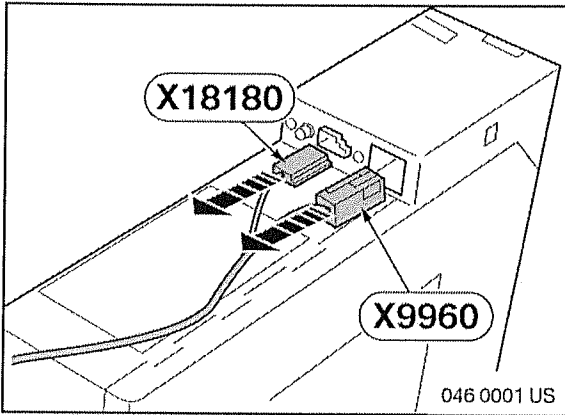
PARTS INFORMATION***Contents of Kit – P/N 65 11 0 035 964***

Description	QTY	MINI Part Number
iPod I/F Gen3 module	1	65 11 0 035 956
iPod I/F cable	1	65 11 0 035 957
iPod Radio I/F cable	1	65 11 0 411 925
Rubber Grommet	1	N/A
Wrap	1	N/A
Owner's Manual	1	65 11 0 409 344

SPECIAL TOOLS

Pin Removal Tool – 61 1 134
Crimp Tool – 408 449

Vehicle Preparation



Only for vehicles equipped with the Trunk Mounted 6 Disc CD Changer:

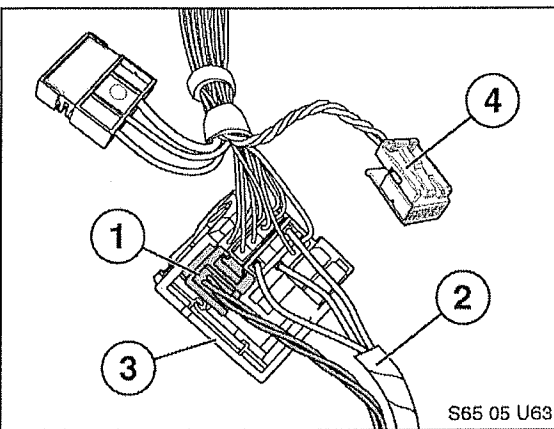
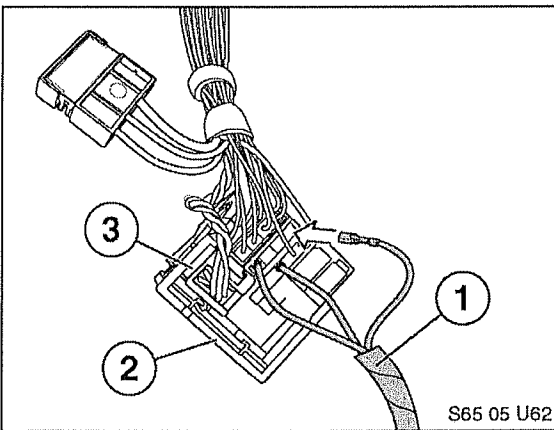
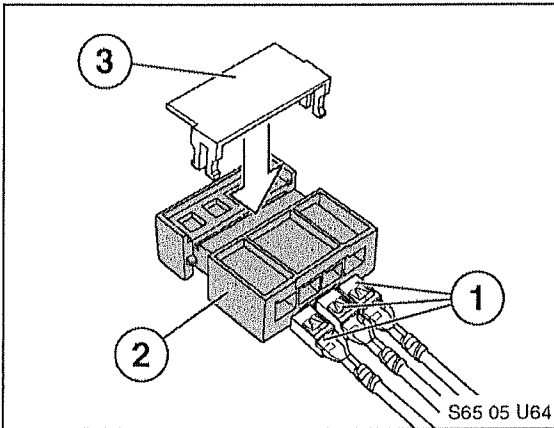
1. Remove 3-pin connector (X18180) and 6-pin connector (X9960) from 6 Disc CD changer.

Warning: Failure to perform this step will cause the iPod Interface to malfunction.

2. Disconnect negative battery terminal.
3. Remove the following components using information available in TIS:
 - Drivers knee bolster (1)
 - Center dash face (2) (Refer to RA62 21 001)
 - Radio side pillars (3) (Refer to RA51 16 198)
 - Radio (4) (Refer to RA 65 11 030)
 - Glove box (5)
4. Remove the blue lock (1) from radio harness by releasing tab and sliding upwards, then remove following terminals (2) using AMP terminal removal tool p/n 61 1 134:

Pin #	Color	Description
9	White/Red	I-Bus
12	Brown	Ground
15	Red/Brown	KL 30

Note: Wire colors may vary depending on vehicle production changes.

Procedure

1. Insert pins (1) removed from radio connector into 4-pin connector (2) as follows:

Color	Location	Description
Red/green	2	KL 30
White/gray	3	I-Bus
Brown	4	KL 31

Note: Wire colors may vary depending on vehicle production changes.

2. Insert locking tab (3) on 4-pin connector as shown
3. Insert 3 rectangular pins from radio I/F cable (1) into radio harness connector (2) as follows:

Color	Location	Description
White/gray	9	I-Bus
Brown	12	KL 31
Red/green	15	KL 30

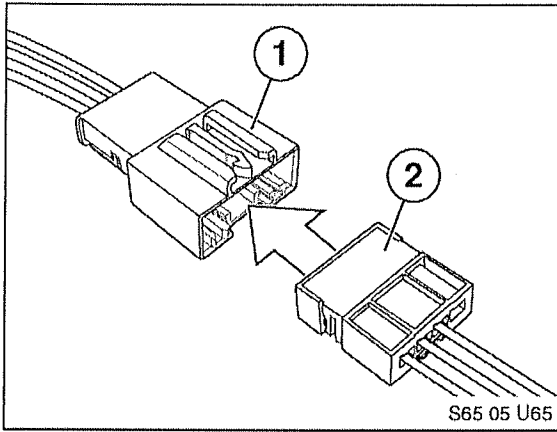
4. Remove white 12-pin connector (3) from lower section of radio connector.

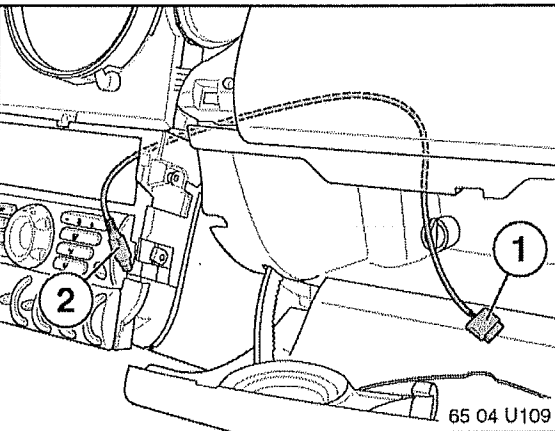
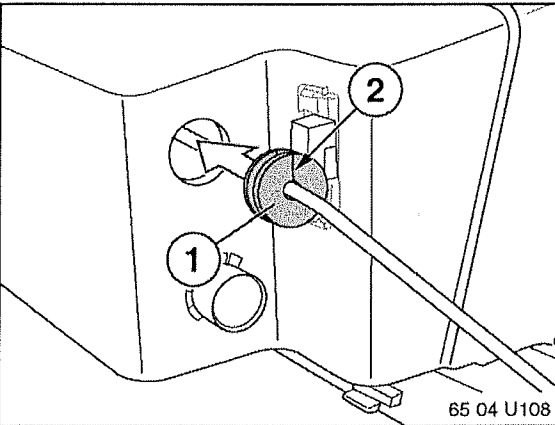
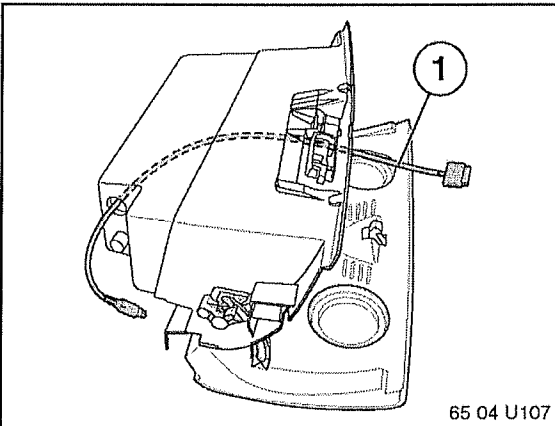
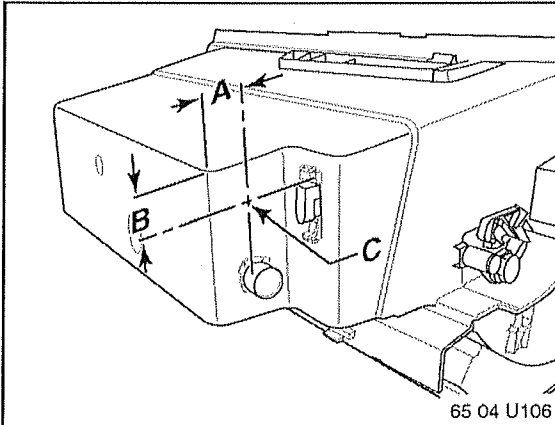
Note: For Cooper-S with JCW GP Kit, the white 12-pin connector is not present.

5. Insert white 12-pin connector (1) from iPod harness (2) into lower left section of radio connector (3).
6. Tie factory white 12-pin connector (4) back to harness as it will not be used for this installation.

5

7. Connect 4-pin connectors (1 & 2)



iPod Cable – Glove Box

1. Locate and drill 5/8" (16mm) hole in glovebox.

A = 1" (25mm)
 B = 1" (25mm)
 C = 5/8" (16mm) Ø

2. Insert iPod cable (1) through hole in glovebox as indicated.

Note: Split grommet as shown before placing around iPod cable in order to prevent damage to cable.

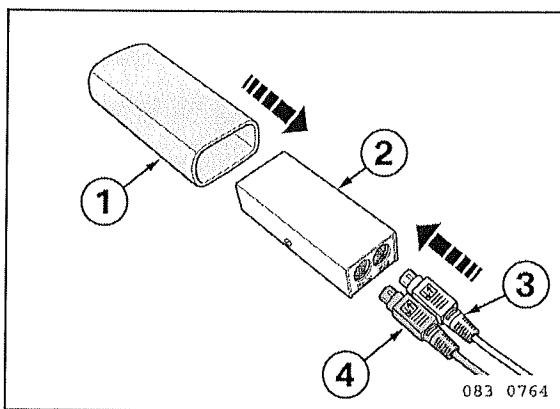
3. Split grommet (1) as indicated (2) and insert grommet through hole in glovebox wall.

4. The flat iPod connector (1) should be located in the glovebox and the 8-pin DIN connector (2) for the adapter box should be routed through the center console to a location behind the radio.

5. Re-connect glovebox vent tube.

6. Re-install glovebox.

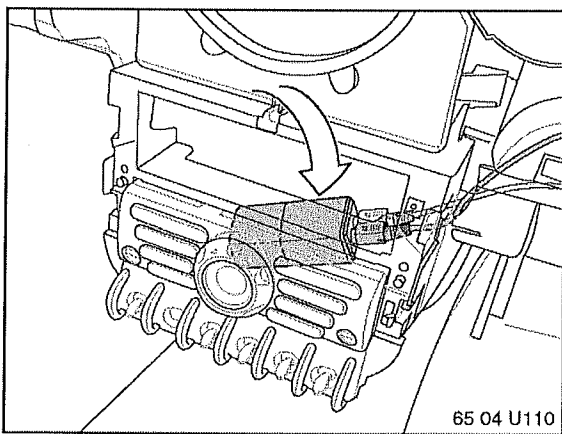
7



Caution: Check for bent pins on adapter cables before attaching to iPod adapter. If pins are damaged carefully bend them back into position with a small screwdriver.

7. Slide iPod module (2) fully into foam wrap (1).

8. Connect black "iPod" adapter cable (3) and black "Radio" adapter cable (4) to iPod adapter, making sure to connect cables in their proper location.



9. Mount iPod interface as indicated below radio and secure with cable ties (not included).

10. Re-install all components removed for installation procedure.

RETROFIT CODING

There is no retrofit coding required for this installation.

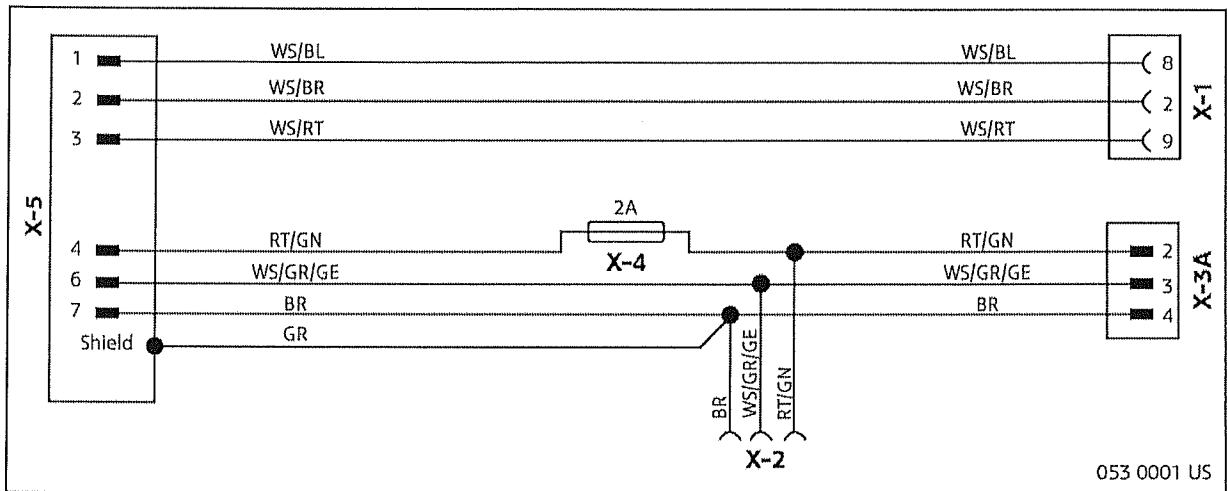
TROUBLESHOOTING

- In iPod mode, "No Magazine" is displayed on the radio until an iPod is connected (refer to MINI iPod Interface Owner's Manual).
- This iPod Interface is compatible starting with the following iPod Firmware versions:
 - iPod with Dock Connector - SW 2.3
 - iPod with Click Wheel - SW 3.1.1
 - iPod mini - SW 1.4.1
 - iPod with Color display - SW 1.2.1
 - iPod nano - SW 1.1.3
 - iPod (Video) - SW 1.2.1
 - iPod nano (Gen 3) SW 1.0.1
 - iPod classic SW 1.0.2
 - iPod touch SW 1.1.1
 - iPhone SW 1.1.1

If the customer's iPod has older versions of software, please advise them to upgrade the software before connecting them to the Interface in their MINI vehicles (refer to MINI iPod Interface Owner's Manual).

- In case of erratic behavior in iPod mode please perform the following:
 - **RESET** the iPod – Please refer to your Owner's Manual that was included with your iPod.
 - **RESET** the iPod Interface–Disconnect the iPod from the iPod cable (black) and remove the black "Radio" 7-Pin DIN connector from the interface module. Wait for 10 seconds and re-connect 7-Pin DIN connector to module. Interface RESET is complete.

Circuit Diagram



Key

- X-1 Connection, radio (audio signal)
- X-2 Connection, MPQ contacts
- X-3A Connection, 4-pin
- X-4 Connection, Fuse (2A)
- X-5 Connection, 7-Pin DIN connector

Wire Colors

- BL Blue
- BR Brown
- GE Yellow
- GN Green
- GR Gray
- RT Red
- SW Black
- VI Violet
- WS White