



# Installation Instructions

Page 1 of 13

October 2006

Equipment Parts, Trailer Hitch

Ver 4.0

Accessory  
Development

---

*These Installation Instructions supersede all previous versions.*

## SUBJECT

**TRAILER HITCH KIT (US Only) - P/N 71 60 0 303 878**

## MODEL

X3 (E83):                      Select Vehicle Production SOP – 08/06\*

\* Not with optional Sport Package (ZSP) for vehicle production 09/05 – On.

**SUGGESTED INSTALLATION TIME:      1.5 HOURS**

*Total installation time may vary depending on vehicle options and equipment.*

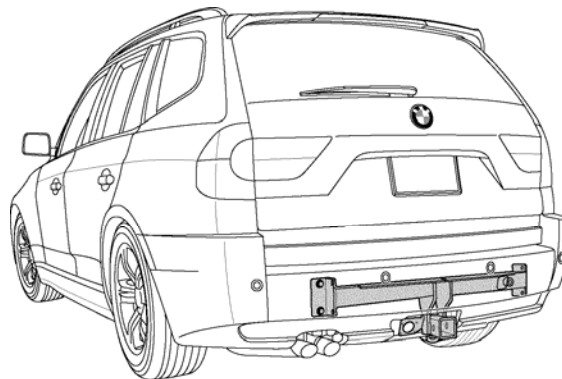
The instructions below are developed for BMW vehicles and are not to be compared to any other existing instructions for vehicles other than BMW. No methods other than those specified in this document are to be used for installation in BMW vehicles. Left and right are determined from the driver's seat.

Carefully read all instructions and supplements before proceeding with the installation. Reference should be made to TIS for instructions dealing with a stock part of the vehicle but not stated in detail in these instructions.

The instructions were complete and up to date at time of publication; however, changes to the vehicle or installation may have occurred. Please report any problems or changes noted with the installation to BMW Technical Hotline, along with VIN, date of manufacture and as much detail as possible.

**Warning: For trailers with LED lighting, in order to prevent the battery from draining over a long period of time, you should disconnect the wire harness that connects the trailer to the vehicle when the vehicle is not in use.**

**Note: BMW NA does not supply or have an approved electrical brake controller for the Trailer Hitch (Tow Bar) Kit.**



S71 03 U09

---

**★ ★ DO IT RIGHT THE FIRST TIME, ON TIME, EVERY TIME ★ ★**

**PARTS INFORMATION****Contents of Kit - P/N 71 60 0 303 878**

<b>Description</b>	<b>Qty</b>	<b>BMW Part Number</b>
Cross Member with Receiver Tube	1	71 60 0 303 880
Cross Member Mounting Nuts	4	07 11 9 904 026
White Capacities Label	1	82 11 0 306 482
Receiver Tube Cover/Cap	1	71 60 0 303 882
Electrical Kit	1	71 60 0 303 881
Contents of Electrical Kit:		
Trailer Control Module	1	61 35 6 908 767
Vehicle-Side Wiring Harness	1	N/A
7-pin Trailer Wiring Connector	1	N/A
7-pin to 4-pin Trailer Wiring Adapter	1	N/A
Hardware Kit	1	N/A

**ADDITIONAL REQUIRED PARTS**

<b>Description</b>	<b>BMW Part Number</b>
Bumper Trim *	51 12 3 417 077
Ball Mount Kit	72 11 0 303 879

\* This part is required only for Model Year 2006 X3 vehicles.

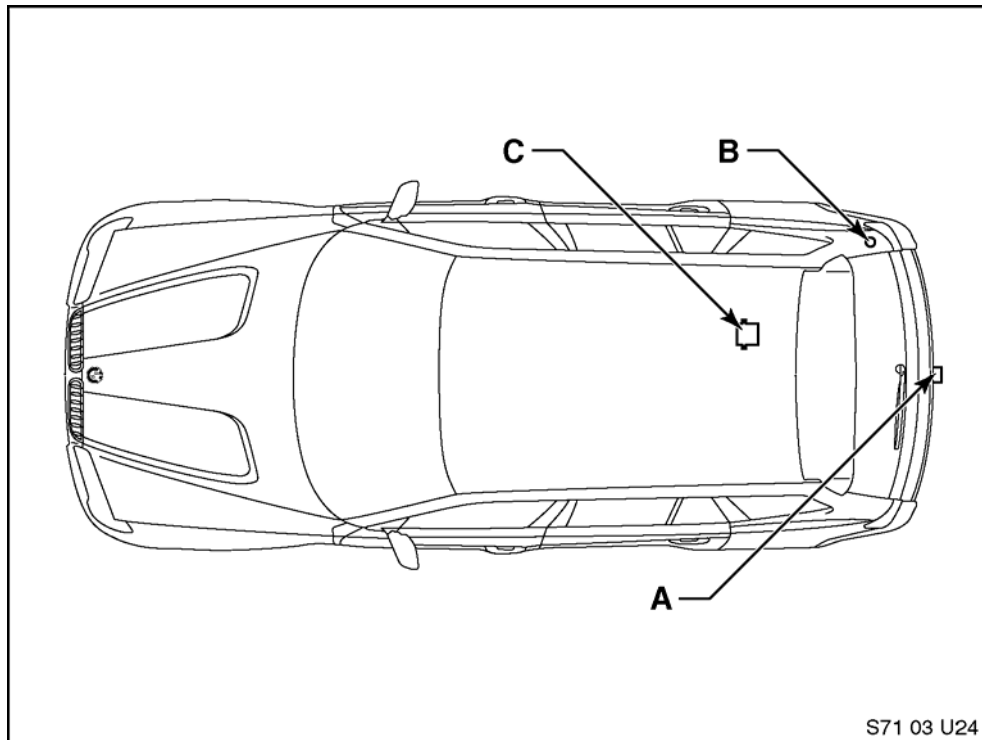
**LOCATION OF KIT PARTS**

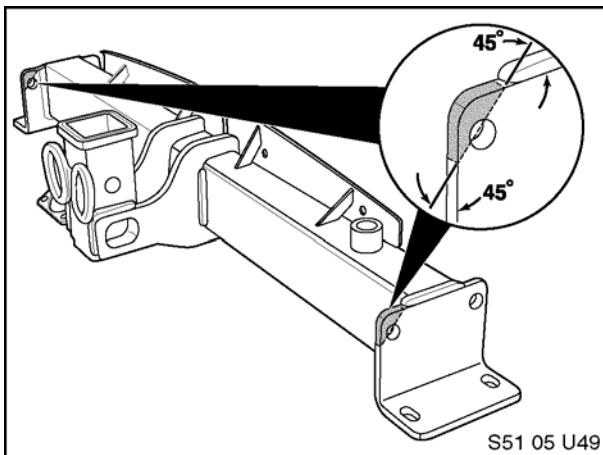
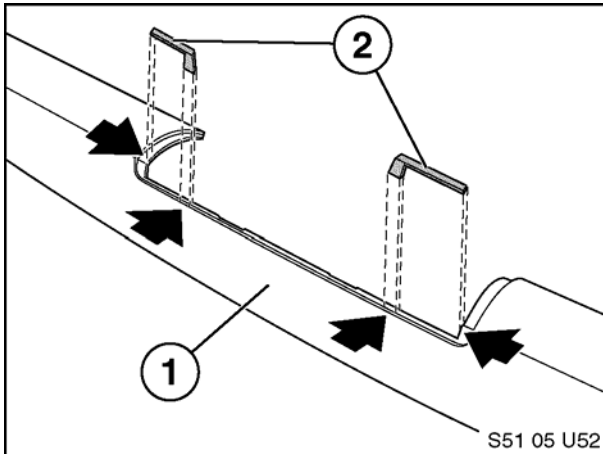
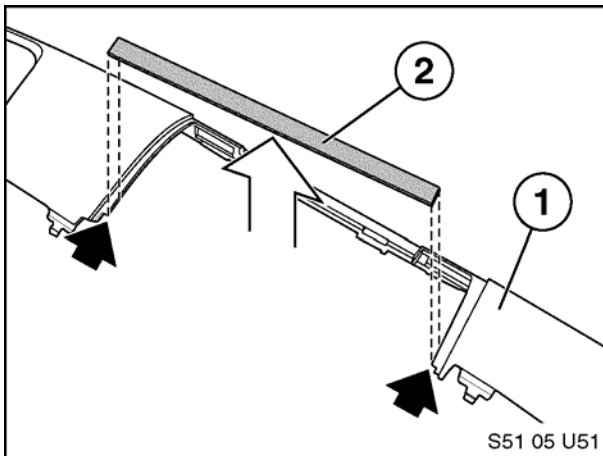
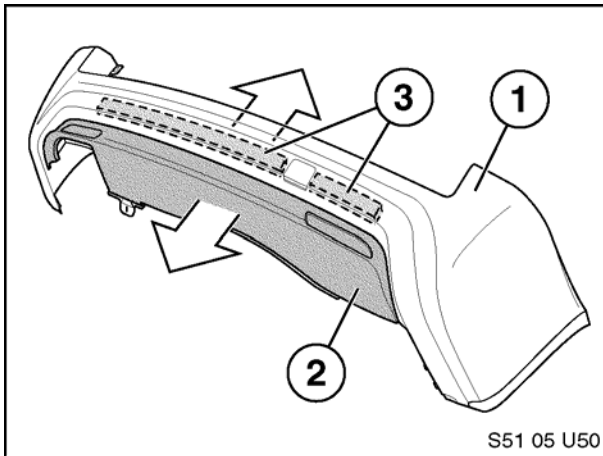
Illustration S71 03 U24 shows the location of the major components/connections of the X3 Trailer Hitch System.

**A = Trailer Hitch Receiver**

**B = Vehicle Connector for Installation Kit 7-pin Connector Wiring Harness**

**C = Trailer Control Module**

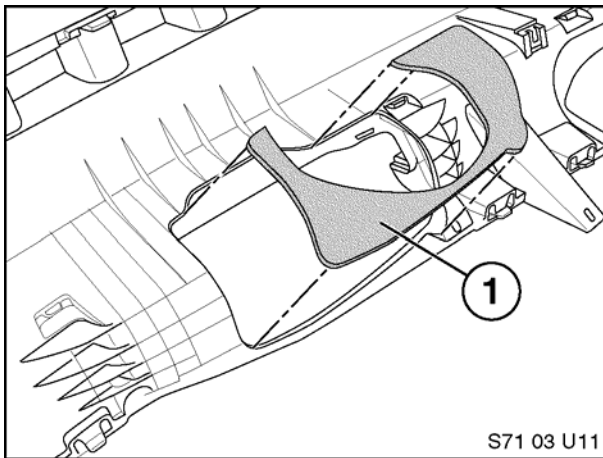
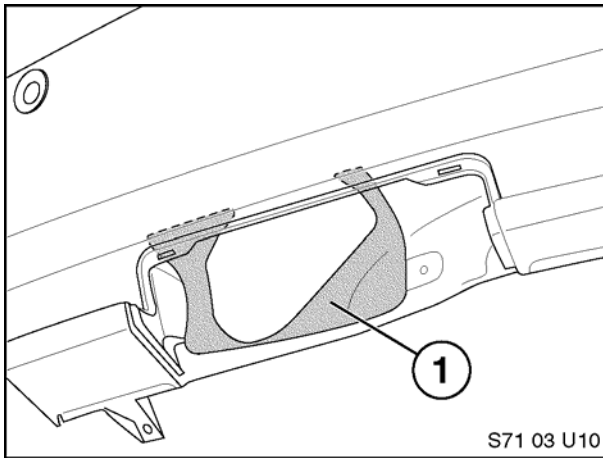


**MY06 Bumper and Cross-member Preparation**

1. On MY06 vehicles with body colored bumpers (1), remove lower fascia, (2) from bumper trim, and replace with cutout fascia p/n **51 12 3 417 077**.
2. Remove and discard impact absorber strips (3) from inside bumper trim.
3. On the new lower fascia (1) , remove cross rail (2) along bottom of hitch cutout, with a small saw, or utility knife.
4. Clean and smooth cut edges with a hand file.
5. Remove L- shaped portions (2) in top corners of fascia (1) with small saw, or utility knife.
6. Clean and smooth cut edges with a hand file.

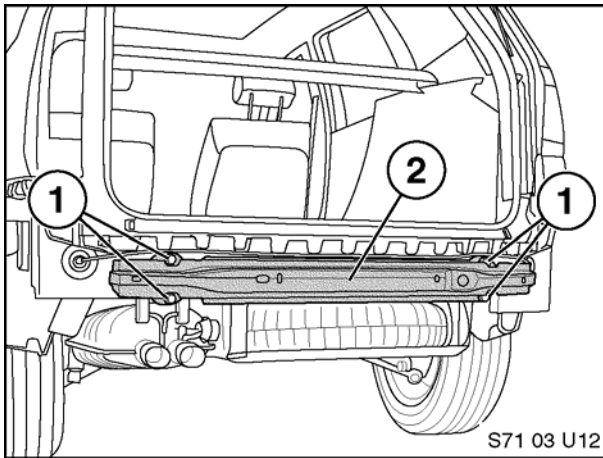
**Note: Some cross-member parts may already be modified and will not require the following steps**

7. Mark the shaded areas at a 45 degree angle, and remove with a cutoff tool (such as Snap-on™ AT 157A) being careful not to cut into the welded portion of the hitch.
8. Remove any rough edges with a hand file.
9. Coat the cut edges with a rust protective finish (such as Wurth® Zinc Rich Weld-Thru Primer) and let dry @10 minutes.

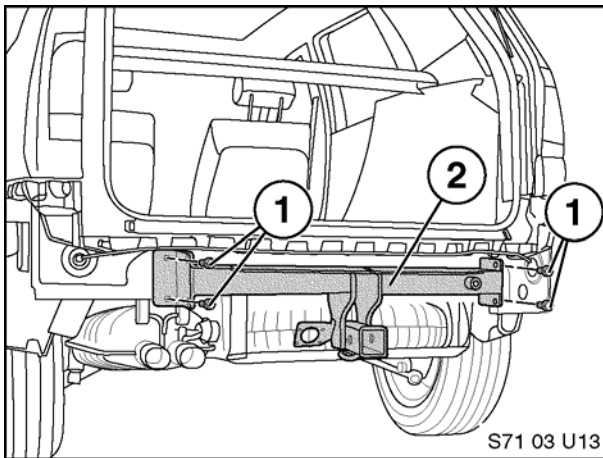
**MY04 & MY05 Bumper Preparation**

1. Remove rear bumper trim from vehicle per (TIS) **RA 51 12 156**.
2. Remove and discard center mounted cover/trim plate from bumper fascia.
3. Locate trailer hitch receiver tube/ connector bracket cutout (1) outlined on inner surface of bumper fascia insert.
4. Use a small reciprocating saw [such as Snap-on No. AT 192/193 series] to remove cut-out material (1) as illustrated.
5. Use a variable speed rotary tool and a file to clean and smooth cut edges of bumper fascia insert.

## Trailer Hitch Installation

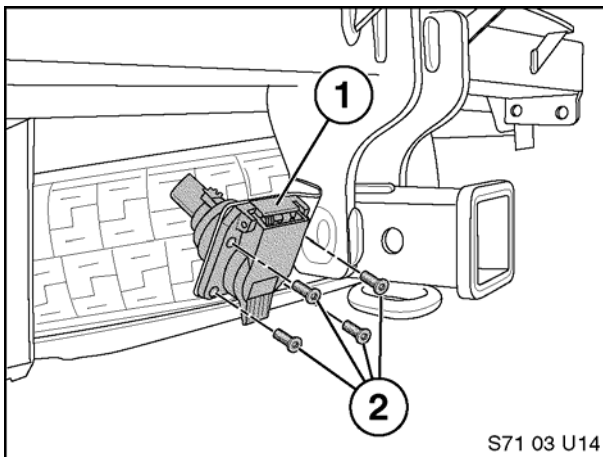


1. Remove and discard the four mounting nuts (1) and steel bumper (2) from vehicle.



2. Install trailer hitch (2) using four new nuts (1) from installation kit.

**Note: Torque nuts to 71Nm Reference (TIS) RA 51 12 050.**

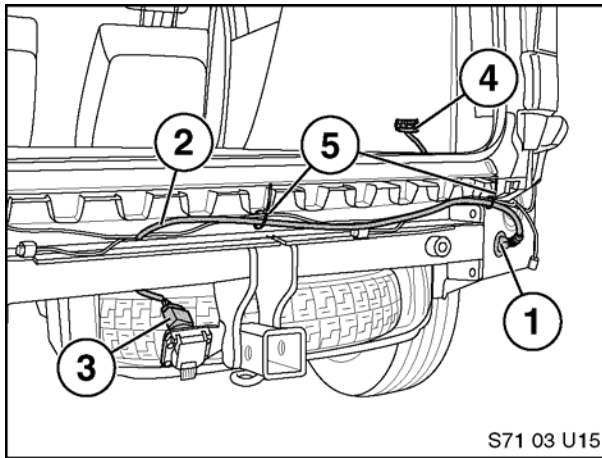


3. Install 7-pin trailer connector (1) onto mounting plate as illustrated with four T25 TORX® head screws (2) from installation kit.

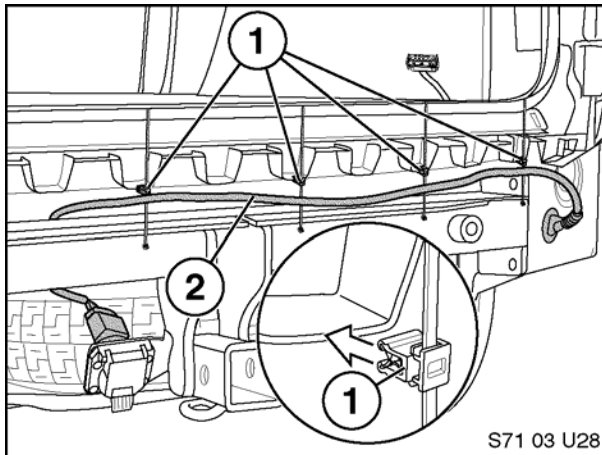
4. Remove cargo floor / spare tire cover from vehicle interior.

*Hint: If vehicle is equipped with cargo tie-down rail, loosen right side to swing rear section of rail approximately 20mm towards centerline of vehicle.*

5. Remove right side corner tray / storage well trim panel cover.
6. Remove sealing plug from right rear corner.

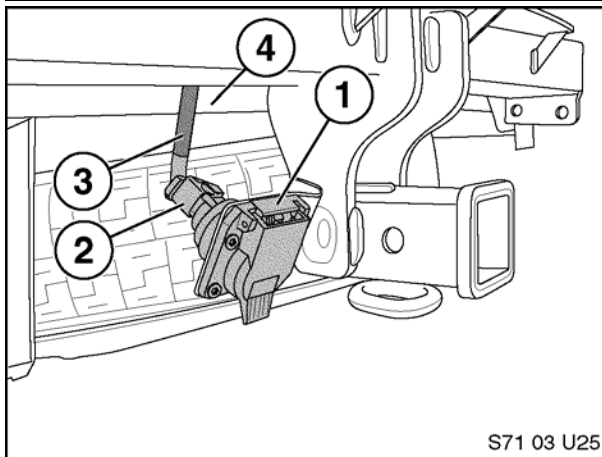
**For vehicles with optional PDC**

1. Route trailer wiring harness from kit (2) behind & across top of hitch, along vehicle PDC harness, through hole in body (1), into vehicle interior so that connector (4) is located in right rear corner storage area.
2. Secure trailer harness to vehicle PDC harness with four wire-ties (5) from kit.
3. Connect trailer wiring harness connector (3) to 7-pin trailer connector.

**For vehicles without optional PDC:**

1. Secure trailer wiring harness (2) to vehicle plastic bumper guide with wire-tie clip assembly (1) as illustrated.

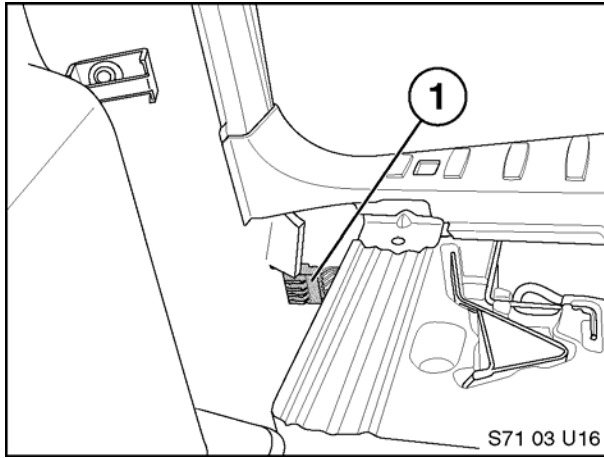
**Note:** For vehicles equipped with PDC, clip can be removed and wire-tie used in the conventional manner.



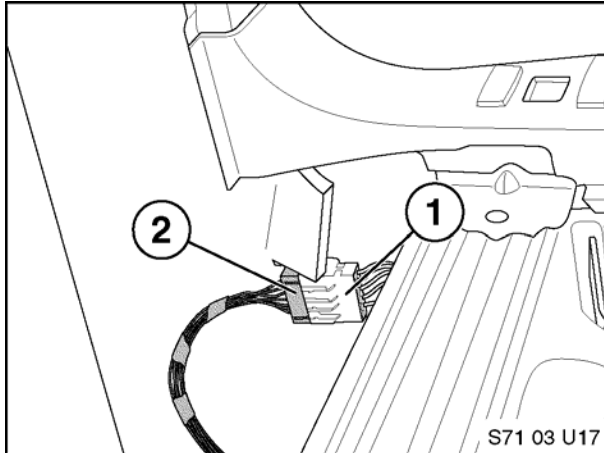
2. Connect trailer-wiring connector (2) to trailer connector (1).

**Note:** Ensure that harness connector (2) is fully seated and red locking tab is in full locked (closed) position.

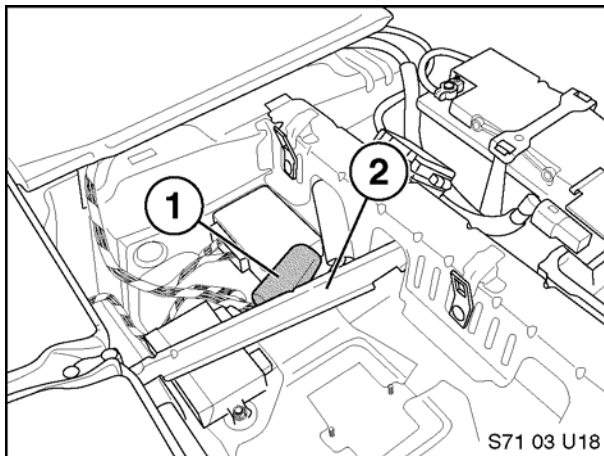
**Note:** Wrap trailer wiring harness several times with a 2 inch wide piece of duct tape (3) in the area where the harness passes along the edge of the vehicle body panel (4). This will add an additional layer of protection to the harness.



3. Locate vehicle connector (1) in right side storage well area.

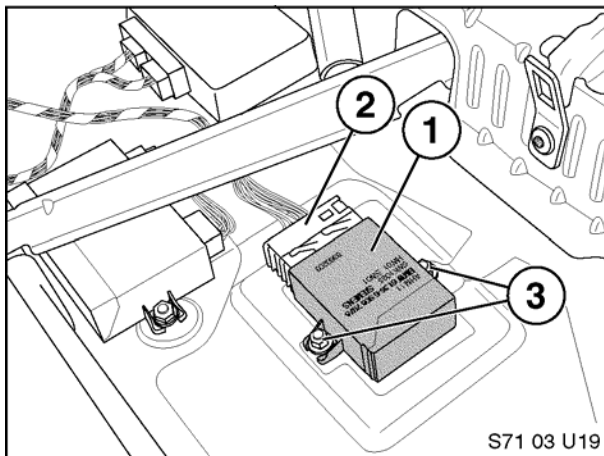


4. Plug trailer hitch wiring harness connector (2) into vehicle connector (1) and route excess harness cable behind sound insulation material.



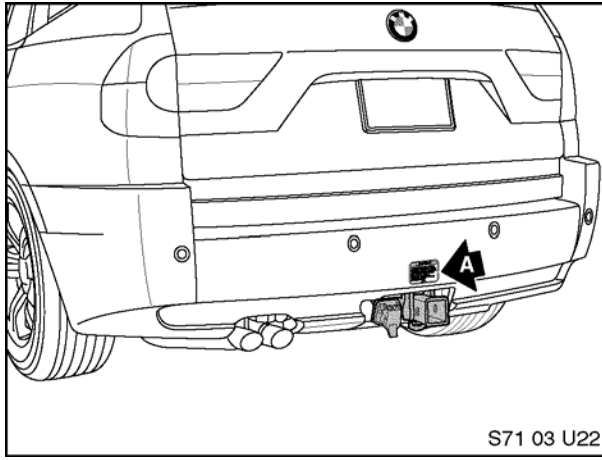
5. Remove/lift up cargo area forward floor panel located just behind rear seats. Reference (TIS) RA 61 35 000.
6. Locate and un-wrap trailer control module harness and connector (1).

**[Hint: Foam wrapped connector should be located just under or next to longitudinal brace (2)]**



7. Mount trailer control module (1) from kit as illustrated using two plastic nuts (3) P/N 16 13 1 176 747 from kit.
8. Carefully route harness and connector under longitudinal brace [reference illustration S71 03 U18, item (2)] and connect to trailer control module. Ensure that harness does not rub against brace. Use wire-ties from kit to secure harness as needed.

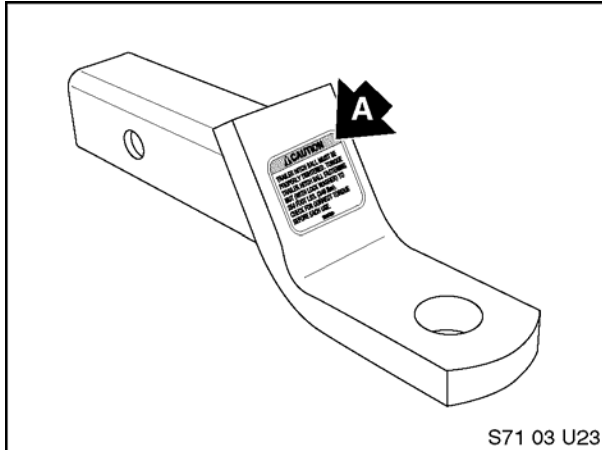




9. Reinstall bumper fascia and vehicle interior components.

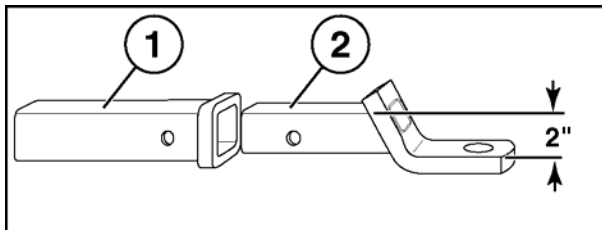
**Note:** Clean bumper with a mild cleaner and or alcohol in the area where label (A) is to be positioned.

**Important:** Install white Capacities Label (A) from installation kit onto bumper fascia centered just above trailer hitch receiver tube as illustrated.

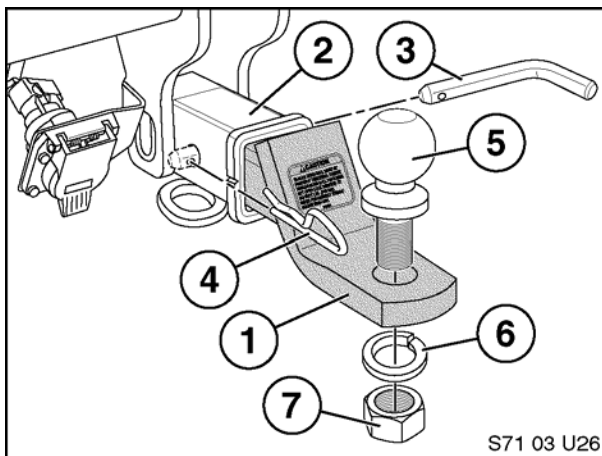
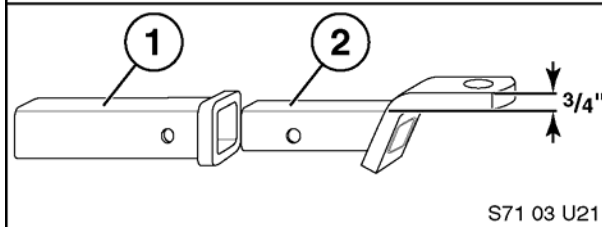


10. Ensure that silver Caution Label (A) is located on ball mount as illustrated.

**Note:** Silver caution label is not available as a separate part.



**Important:** Use only the BMW X3 ball mount available from BMW Centers with a maximum 2 inch drop or  $\frac{3}{4}$  inch rise as illustrated.

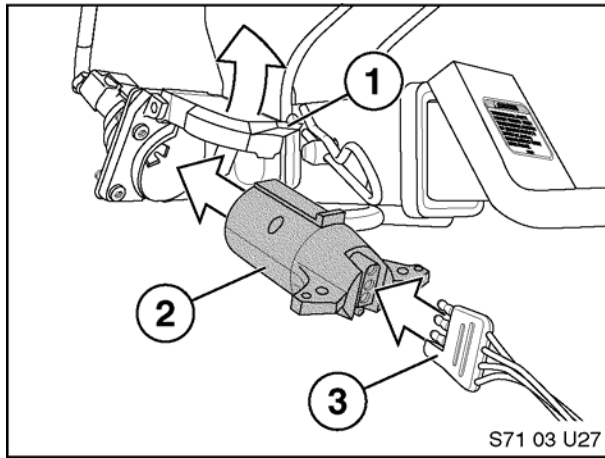


11. Install trailer ball (5) to ball mount (1) with lock washer (6) and nut (7).

**Important:** Torque nut to 250 foot lbs. (340Nm).

**Reference information and warnings on ball mount label.**

12. Install ball mount assembly (1) into trailer hitch receiver tube (2) by aligning holes in mount and tube and inserting pin (3) and clip (4) as illustrated.



13. When towing a trailer with a four-pin wiring harness (3). Use the 4-pin to 7-pin adaptor (2) included in the installation kit to connect the trailer electrical system to vehicle connector (1).

***Note: The adapter should be kept with vehicle at all times.***

**Installation Complete.**

**See pages 12 and 13 for customer guidelines / cautions sheets to be left in vehicle for customer reference.**

**RETROFIT CODING**

There is no retrofit coding required for this installation.

## BMW X3 Trailer Hitch Guidelines and Cautions

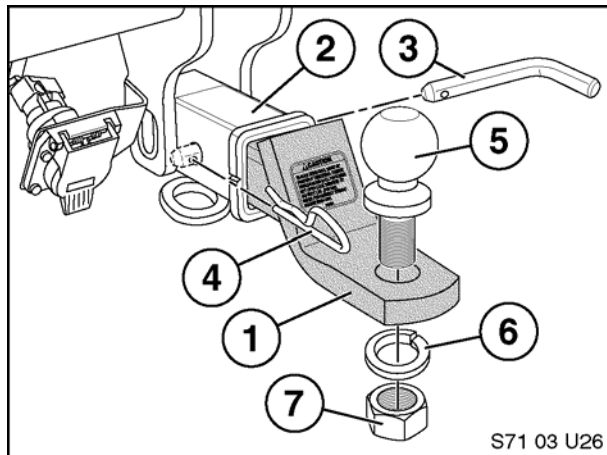
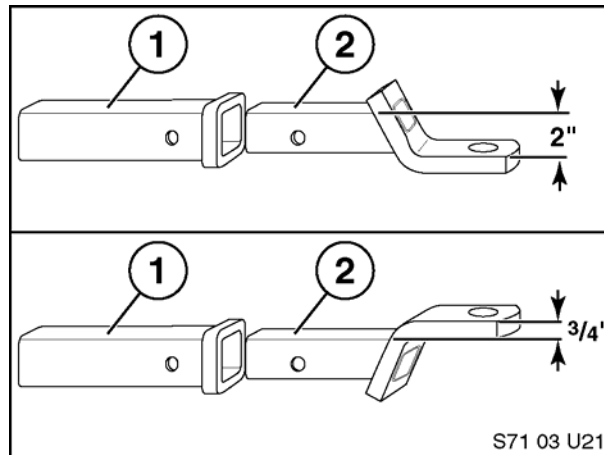
Page 1 of 2

These Guideline Sheets should be left in the vehicle (for customer reference) after installation of the Trailer Hitch

---

- The BMW X3 Trailer Hitch is rated **Class 2** (gross trailer weight 3500 lbs., maximum tongue weight 350 Lbs.). Never exceed these specifications. This rating is based on a standard equipped vehicle with driver. Additional passengers and/or cargo will reduce maximum vehicle/trailer ratings.
- Do not exceed gross vehicle weight or front/rear axel weights as specified in the vehicles Owners Manual and displayed on the Safety Certification Label located on the drivers door jam.
- Do not use weight distribution equipment.

Use only the BMW X3 Ball Mount available from BMW centers with a maximum 2-inch Drop or  $\frac{3}{4}$  inch rise. Reference Illustration S71 03 U21.



Install trailer ball (5) to ball mount (1) with lock washer (6) and nut (7).

**Important: Torque nut 250 foot lbs. (340Nm).**

**Reference information and warnings on ball mount label.**

Install ball mount assembly (1) into trailer hitch receiver tube (2) by aligning holes in mount and tube and inserting pin (3) and clip (4) as illustrated.

## BMW X3 Trailer Hitch Guidelines and Cautions

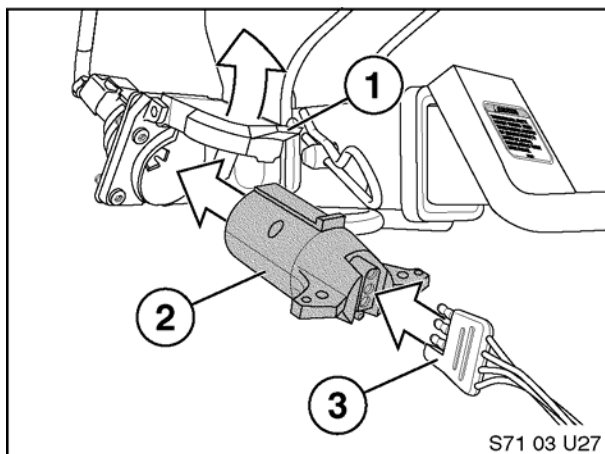
Page 2 of 2

These Guideline Sheets should be left in the vehicle (for customer reference) after installation of the Trailer Hitch

---

- Before attaching, loading, or towing a trailer please read the brochure (included with the installation kit, available from your BMW Center, available on line at the NHTSA Web Site [www.nhtsa.gov](http://www.nhtsa.gov) or available by calling the DOT Auto Safety Hotline at 888-327-4236): TOWING A TRAILER – Being Equipped for Safety, NHTSA Publication DOT HS 809 433, April 2002.
- Check all connections (mechanical and electrical) before and during the towing of a trailer.
- Check the function of all vehicle lights and the lights on the trailer before and during the towing of a trailer.
- Do not cut, weld, drill or modify the trailer hitch.
- Do not modify any wiring or electrical components.
- BMW NA does not supply or have an approved electrical brake controller for your Trailer Hitch.

**For trailers with LED lighting, in order to prevent the battery from draining over a long period of time, you should disconnect the wire harness that connects the trailer to the vehicle when the vehicle is not in use.**



When towing a trailer with a 4-pin wiring harness (3) use the 4-pin to 7-pin adaptor (2) included in the installation kit to connect the trailer electrical system to vehicle connector (1).

**The adaptor should be kept with the vehicle at all times.**