

Installation Instructions

Audio, iPod Interface

Ver 1.0

Page 1 of 7

July 2005

Accessory
Development

SUBJECT

iPod® Interface Kit - P/N 65 11 0 409 342

MODEL

3-Series (E46): Select Vehicle Production 9/00 – On*

** Not compatible with optional Navigation (SA 609), and/or 6-Disc CD Changer (SA 672)*

SUGGESTED INSTALLATION TIME: 0.75 Hours

The instructions below are developed for BMW vehicles and are not to be compared to any other existing instructions for vehicles other than BMW. No methods other than those specified in this document are to be used for installation in BMW vehicles. Left and right are determined from the driver's seat.

Carefully read all instructions and supplements before proceeding with the installation. Reference should be made to TIS for instructions dealing with a stock part of the vehicle but not stated in detail in these instructions.

The instructions were complete and up to date at time of publication; however, changes to the vehicle or installation may have occurred. Please report any problems or changes noted with the installation to BMW Technical Hotline, along with VIN, date of manufacture and as much detail as possible.

★ DO IT RIGHT THE FIRST TIME, ON TIME, EVERY TIME ★ ★

PARTS INFORMATION

Contents of Kit – P/N 65 11 0 409 342

Description	QTY	BMW Part Number
iPod Adapter	1	65 11 0 392 130
iPod I/F cable	1	65 11 0 392 132
Radio I/F cable (E46)	1	65 11 0 409 339 / 65 11 0 392 136
Rubber Grommet	1	N/A
Adapter Wrap	1	N/A
Owner's Manual	1	65 11 0 395 146

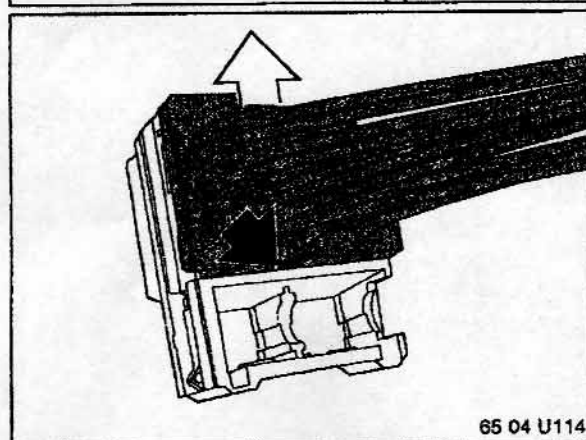
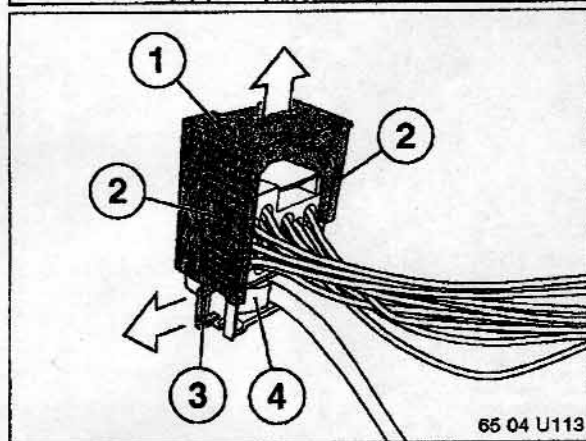
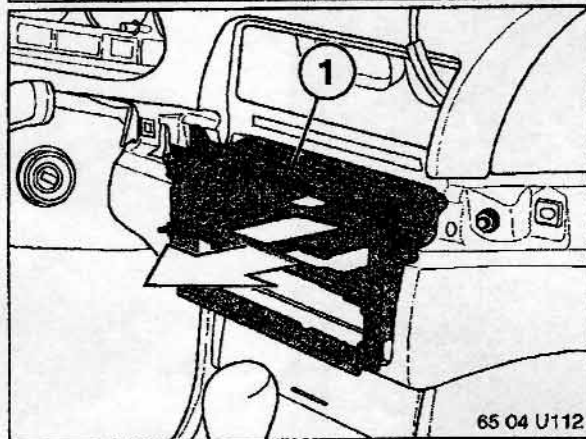
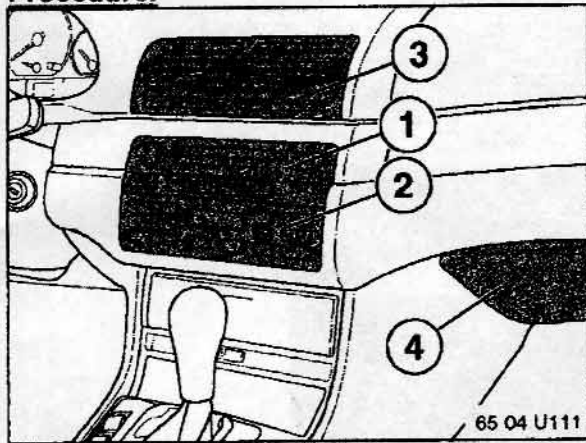
OPTIONAL PARTS

iPOD - Sirius Cable	1	65 11 0 395 148
---------------------	---	-----------------

SPECIAL TOOLS

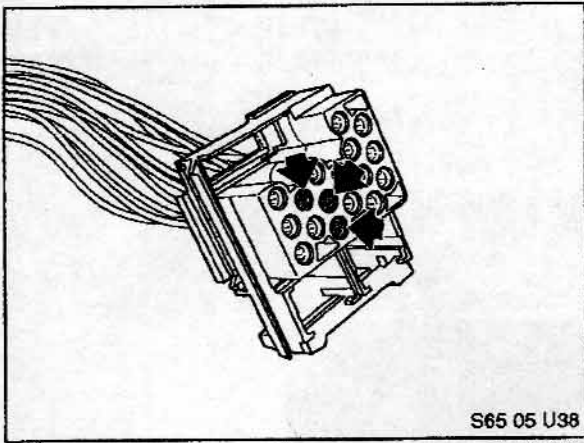
Pin Removal Tool – 61 1 132
Crimp Tool – 408 449

Procedure:



1. Disconnect vehicle battery.
2. Remove the following components using procedures available through TIS:
 - radio (1)
 - climate control panel (2)
 - center vent (3)
 - glovebox (4)
3. Remove radio bracket assembly (1) using instructions available through TIS.
4. Remove radio connector locking cover (1) by first releasing side tabs (2).
5. Remove blue U-clip (3).
6. Remove black (& gray) 10-pin connector(s) (4) from radio harness.
7. Using a pry tool—pry up radio connector lock at black arrow - lifting it up until it clicks into unlocked position.

Caution: do not attempt to remove radio pins with the connector locked, as this will cause damage to pins and harness.

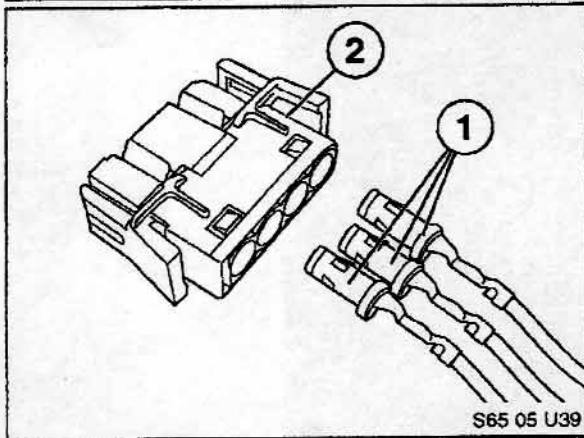


- Remove pins 7, 9 & 15 from radio connector using BMW round pin removal tool p/n 61 1 132.

Caution: Battery must be disconnected to prevent short circuit.

Color	Location	Description
White/red	7	I-Bus
Red/green	9	KL 30
Brown	15	Ground

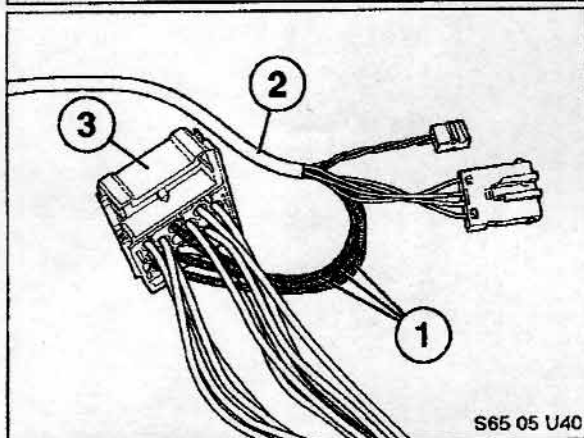
Note: Wire colors may vary depending on vehicle production changes.



- Insert pins (1) removed from radio connector into 4-pin connector (2) as follows:

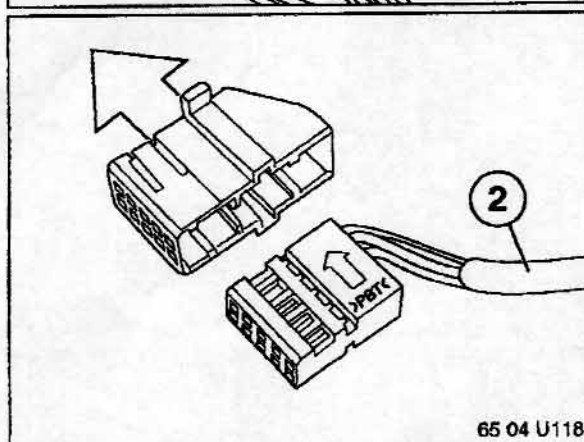
Color	Location	Description
Red/green	2	KL 30
White/red	3	I-Bus
Brown	4	Ground

Note: Wire colors may vary depending on vehicle production changes.



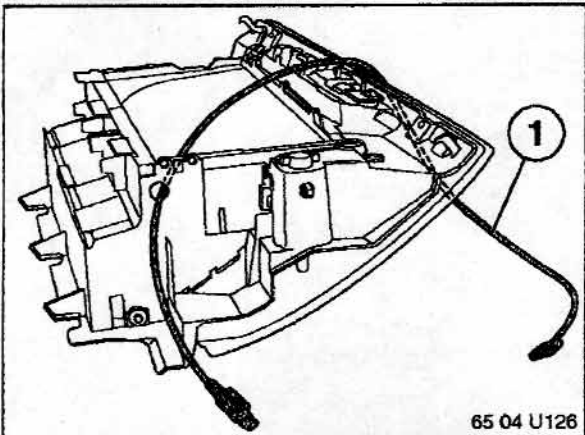
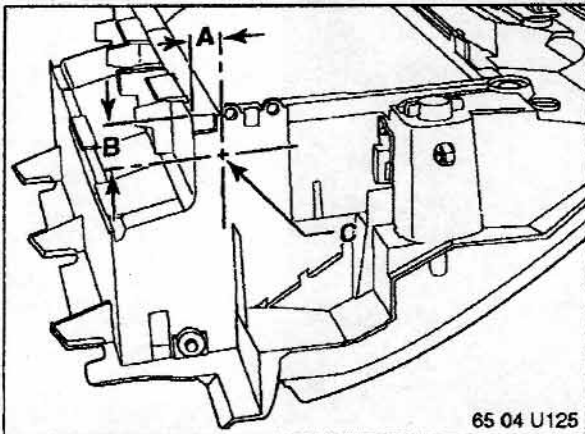
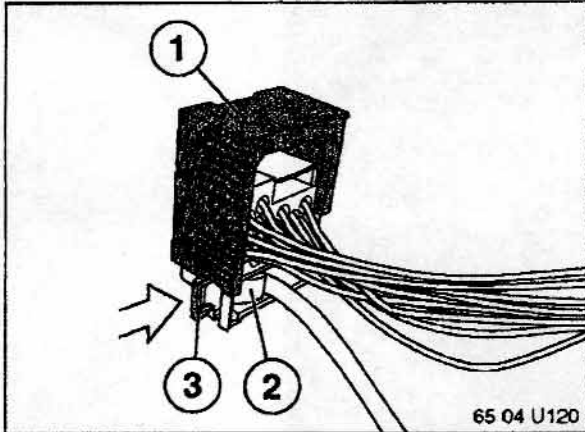
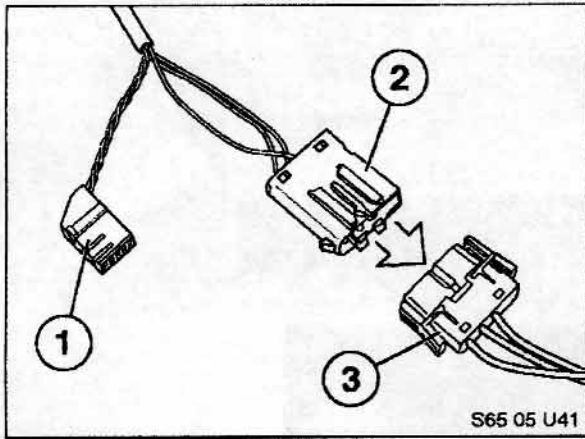
- Insert 3 pins (1) from iPod harness (2) into radio harness (3) as follows:

Color	Location	Description
White/gray	7	I-Bus
Red/green	9	KL 30
Brown	15	Ground



For vehicles with BMW Assist and/or hands free Phone:

- Remove cover to black 10-pin connector taken from lower radio connector (2).
- Remove audio pins 3 & 8 (yellow & black wires) from 10-pin connector (if populated) using small flat screwdriver or small pin removal tool p/n 61 1 134.



For vehicles with BMW Assist and/or hands free Phone:

13. If pins 3 & 8 have been removed from radio 10-pin connector insert pins into same pin locations on iPod 10-pin connector.

14. Install black cover (1) onto iPod 10-pin connector.

15. Connect 4 pin connectors (2 & 3)

16. Lock radio connector lock and reinstall radio-locking cover (1).

17. Insert black iPod10-pin connector (and gray connector if applicable) into lower radio harness and secure with blue U-lock.

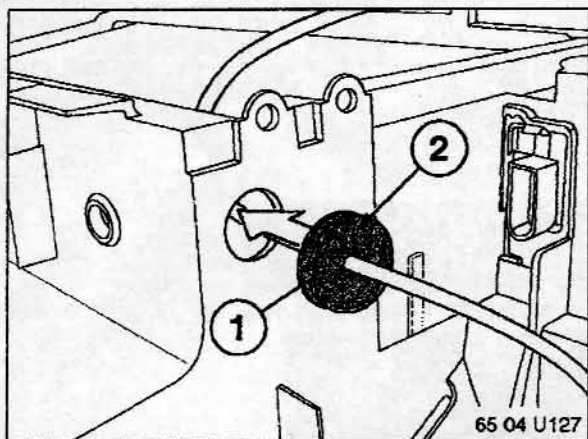
18. Locate and drill 5/8" (16mm) hole in glovebox.

A = 5/8" (16mm)

B = 7/8" (22mm)

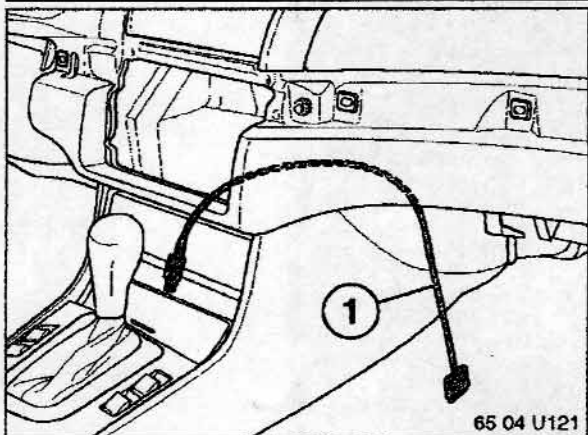
C = 5/8" (16mm) Ø

19. Insert iPod cable through hole in glovebox as indicated.



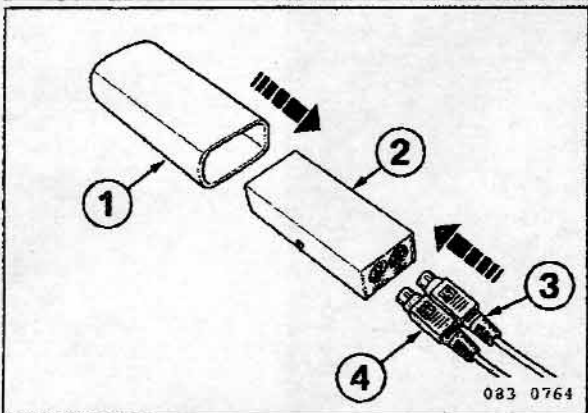
20. Split grommet (1) as indicated (2) and insert grommet around iPod interface cable and through hole in glovebox wall.

21. Secure grommet to glovebox with weatherstrip adhesive from the outside of the glovebox.



22. Route iPod cable through center console from radio location to glovebox location.

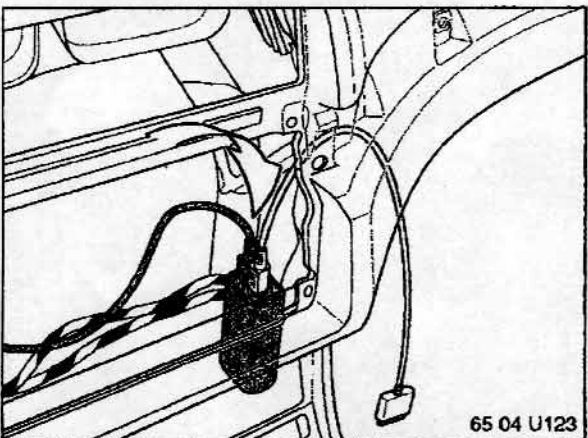
23. Route cable into glovebox alongside fuse panel. Reinstall glovebox.



Caution: Check for bent pins on adapter cables before attaching to iPod adapter. If pins are damaged carefully bend them back into position with a small screwdriver.

24. Slide iPod adaptor fully into foam padding tube (1).

25. Connect white iPod adapter cable (2) and black radio adapter cable (3) to iPod adapter, making sure to connect cables in their proper location.



26. Mount iPod adapter as indicated along interior right side of center console between console tray and glovebox. Secure with cable ties if possible.

27. Carefully pull white cable into glovebox to remove excess cable slack.

28. Reinstall all components removed for installation procedure.

Note: To aid in wire routing behind radio-the installer may find it easier to first mount the radio in the radio bracket, then return the radio/bracket assembly to the center dash.

RETROFIT CODING

There is no retrofit coding required for this installation.

TROUBLESHOOTING

- iPod mode is not selectable from the radio until iPod is connected.
(refer to iPod Interface Owner's Manual)
- This iPod Interface is compatible with the following software versions:
 - Gen3 iPod – SW 2.2 or newer
 - Gen4 iPod - SW 3.0.1 or newer
 - iPod mini – SW 1.1 or newer
 - iPod Photo – SW 1.0 or newer
 - iPod nano – SW 1.
 - iPod Video - SW

If the customer's iPod or iPod mini has older versions of software, please advise them to upgrade the software before connecting them to the Interface in their BMW vehicles. (refer to iPod Interface Owner's Manual)