

Parts and Accessories.

Installation instructions.



Retrofit - Splash guards BMW 3 Series Saloon (E90)

Retrofit kit No.: 82 16 0 395 944
82 16 0 395 945

Installation time

The installation time of approx. 0.5 hours can vary depending on the condition and equipment of the vehicle.

Important information

These installation instructions are mainly intended for use in the BMW dealership network as well as by authorised BMW Service Centres.

The target group of these installation instructions are technical personnel trained on BMW vehicles with corresponding technical know-how.

All work is to be carried out with the aid of currently valid BMW repair instructions, schematic diagrams, maintenance manuals and working instructions in rational order with the specified tools (special tools) while paying particular attention to valid safety regulations.

In order to avoid unnecessary additional expenditure/costs, if any problems regarding installation, assembly or operation are encountered, after spending a little time on attempting to finding the problem (approx. 0.5 hour), an enquiry, including the vehicle identification number, part number of the installed retrofit kit and a detailed description of the problem, should be sent without delay to Technical Support via the Aftersales Assistance Portal (ASAP).

Do not archive the printout of these Installation Instructions as daily updates are conducted through ASAP!

Refer to ASAP for explanations of the pictographs.

All illustrations show LHD vehicles. Carry out the same procedure analogously on RHD vehicles.

Pictographs:



identifies information that draws attention to danger/hazards.



identifies information that draws attention to specific requirements.

◀ identifies the end of an information or warning text.

Subject to technical modifications.

Installation information

The installation instructions describe the procedure on the left-hand side of the vehicle only. The same procedure should be followed analogously on the right-hand side of the vehicle.

Clean adhesion surfaces with a suitable cleaning agent. They must be free of oil and grease.

The ambient temperature for adhesive bonding must not be below 15°C or above 35°C.

The car can be driven after approx. **6 hours** and driven through a carwash after **48 hours**.

Required special tools

None

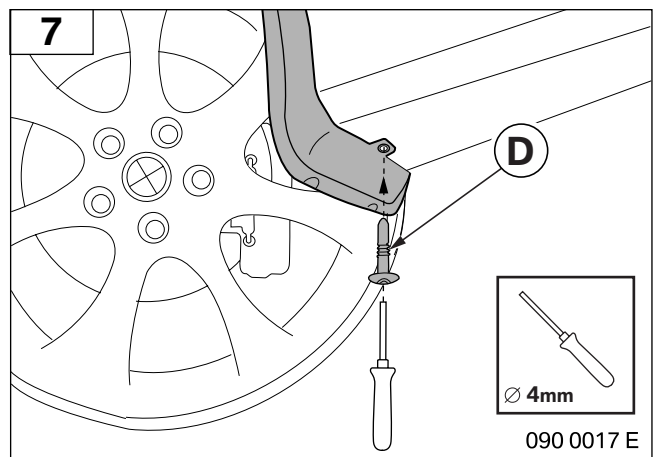
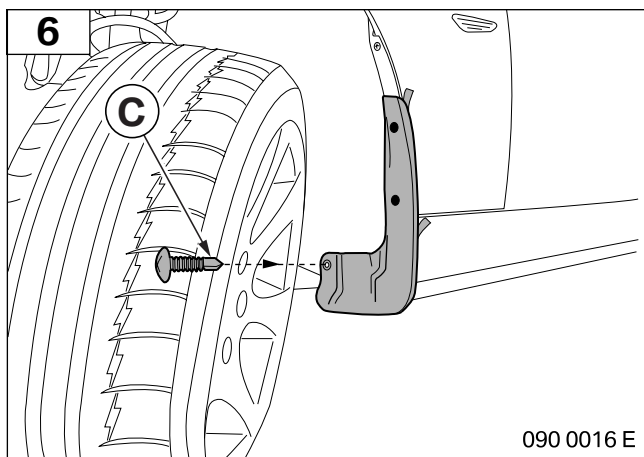
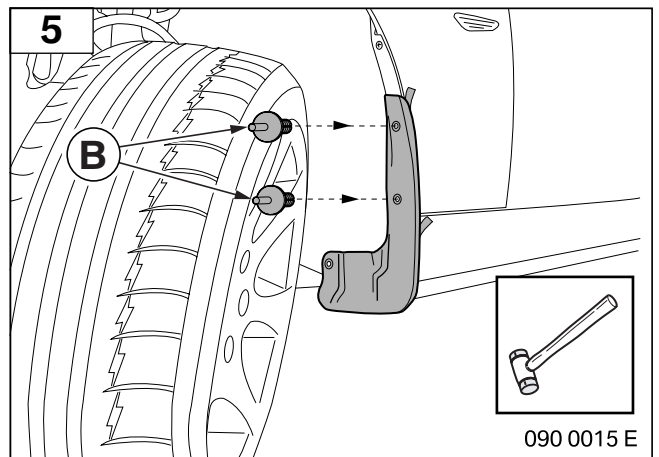
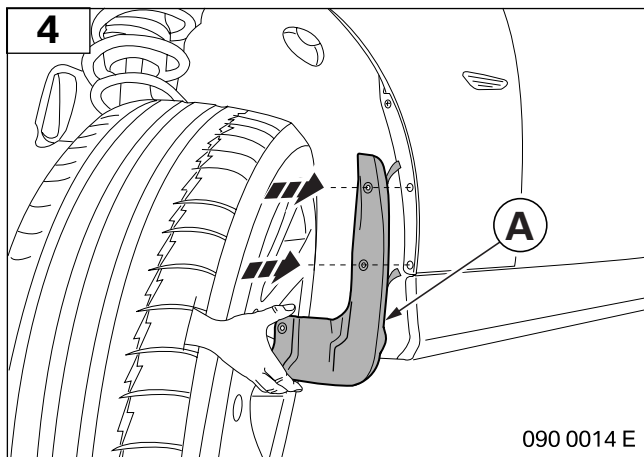
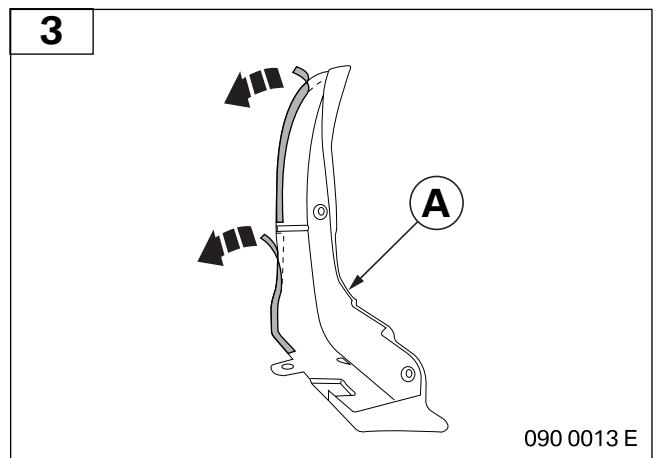
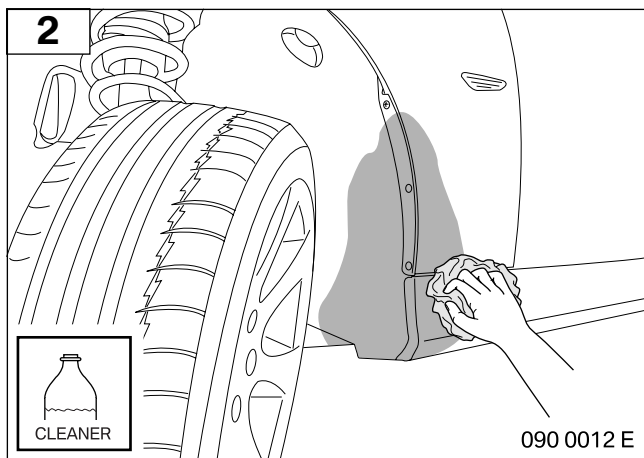
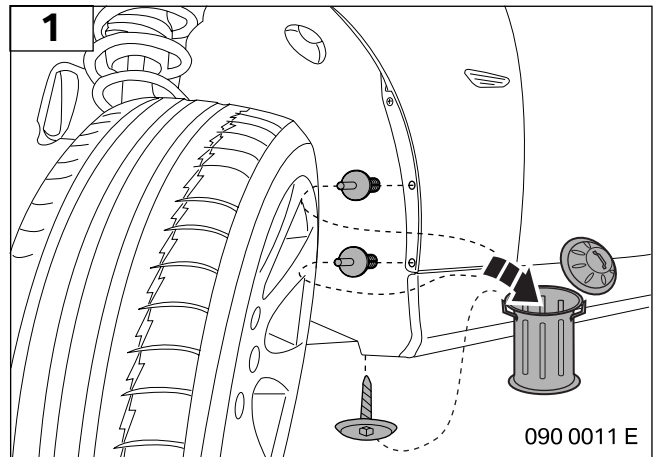
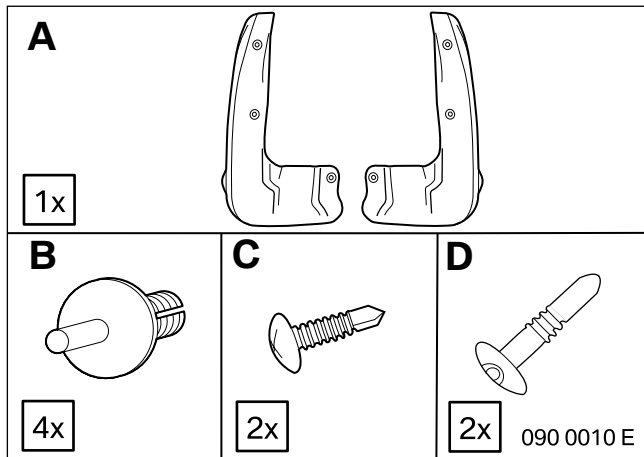
Contents

Section	Page
1. Preparatory work	4
2. Installing front splash guard	5
3. Installing rear left splash guard	7
4. Installing rear right splash guard	9

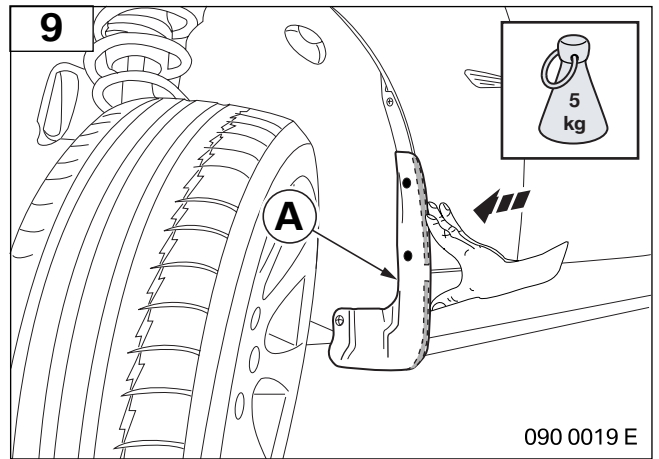
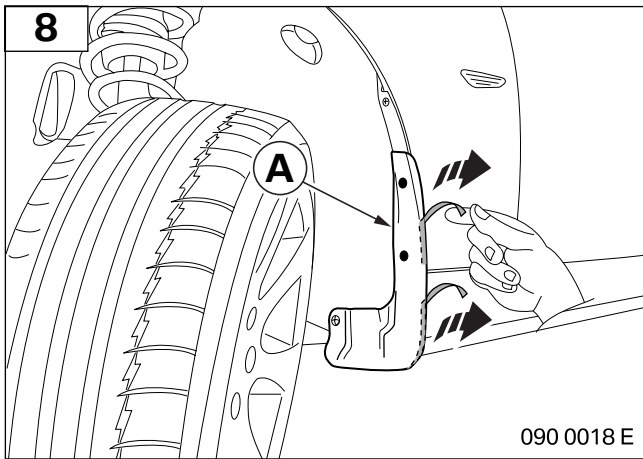
1. Preparatory work

	TIS No.
Perform quick test	---
Disconnect negative terminal of battery	12 00 ...
Remove the following components	
Removing and installing rear wheel	36 10 300

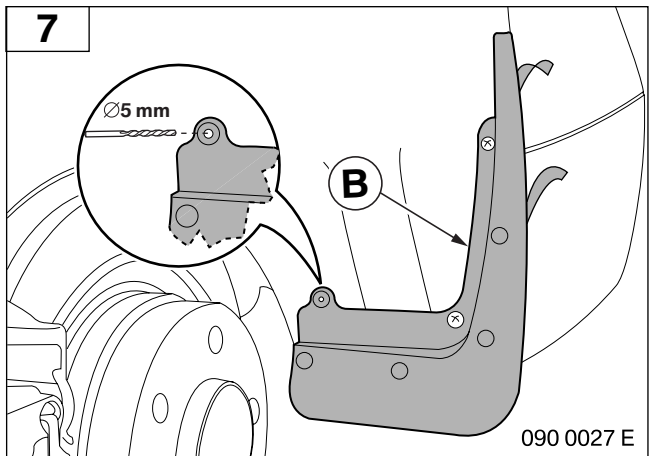
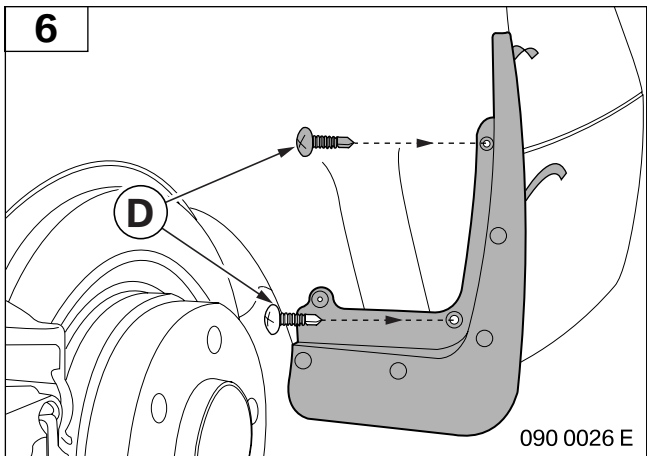
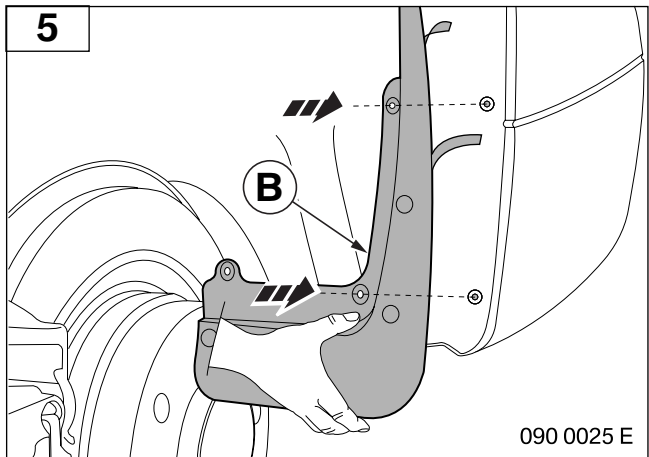
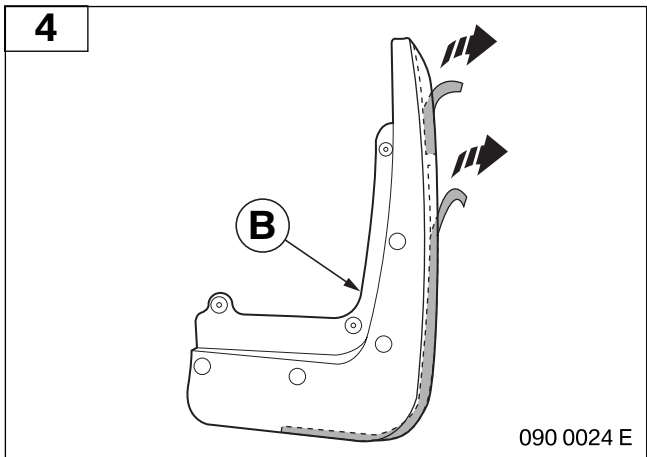
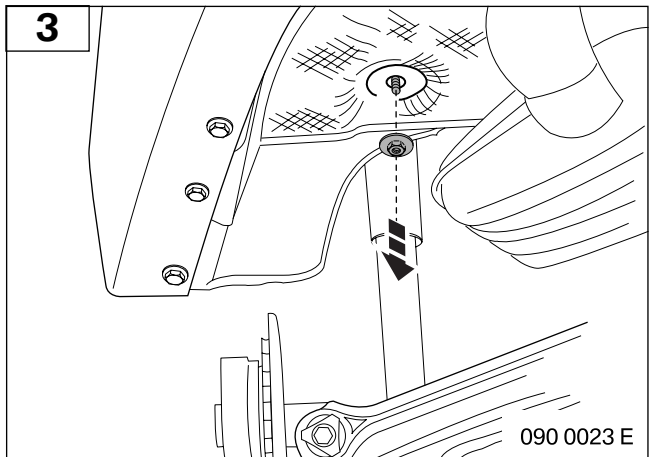
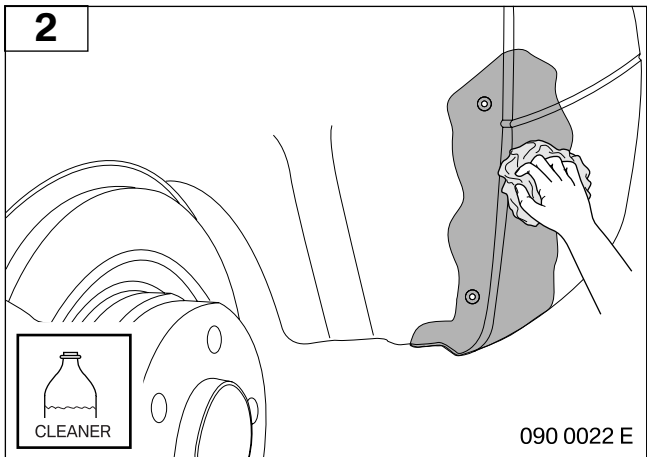
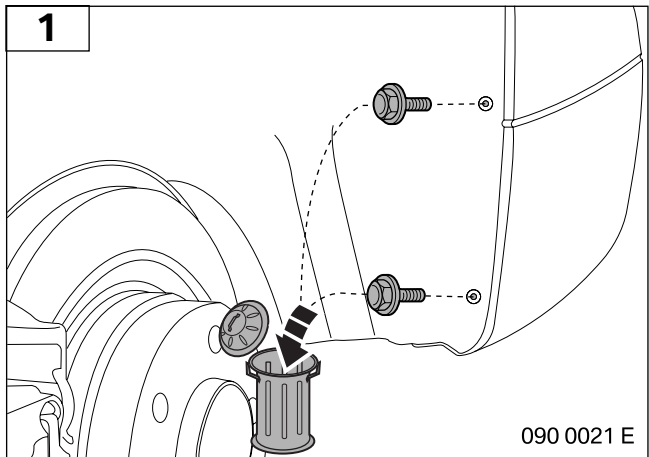
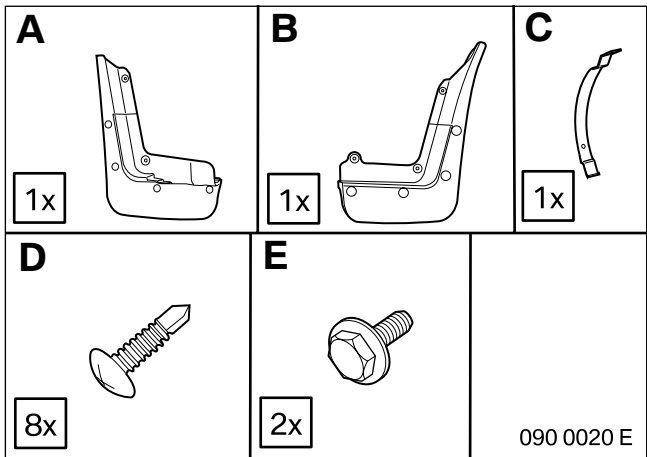
2. Installing front splash guard



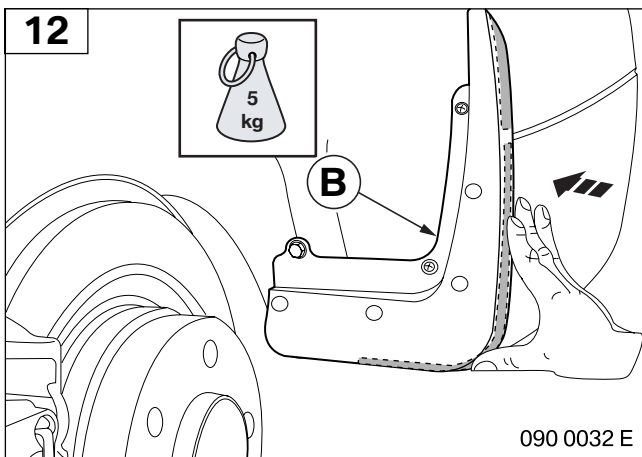
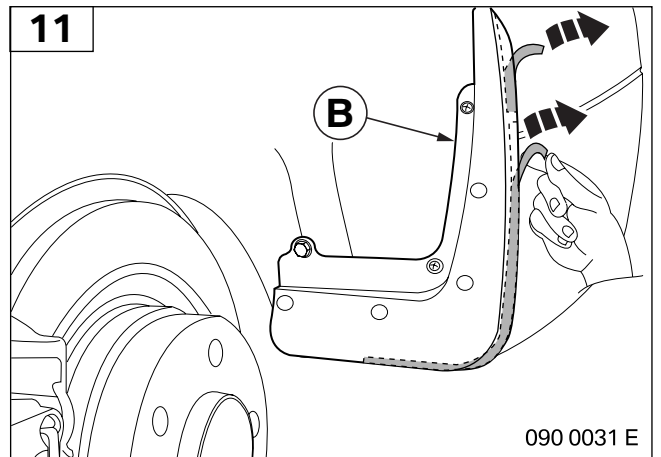
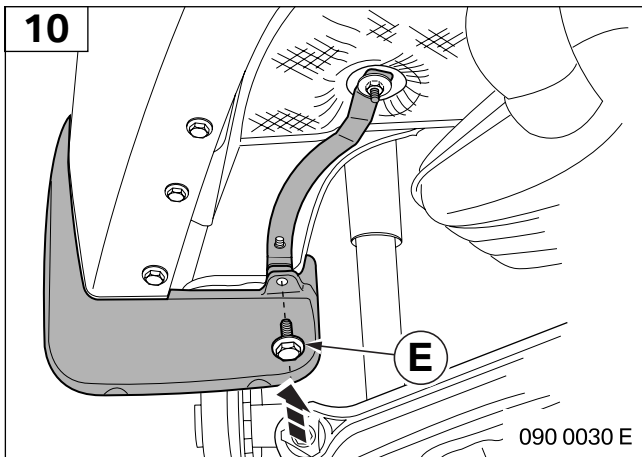
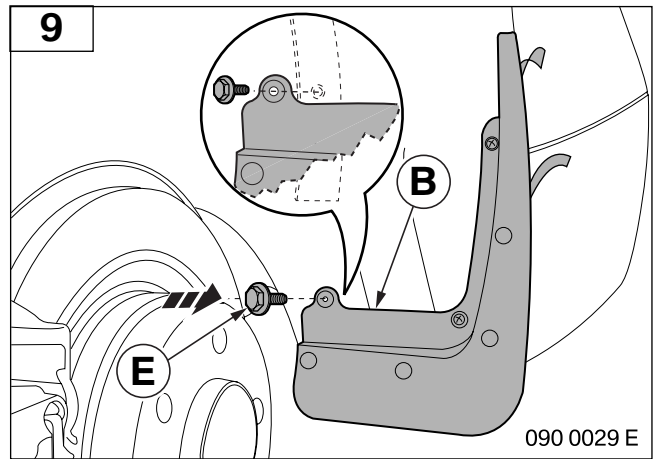
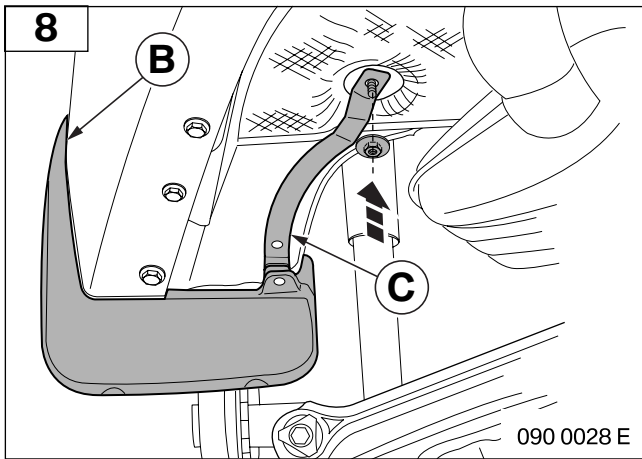
2. Installing front splash guard



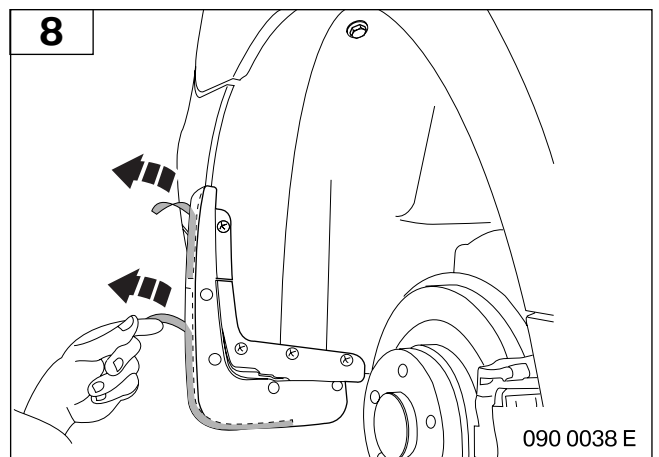
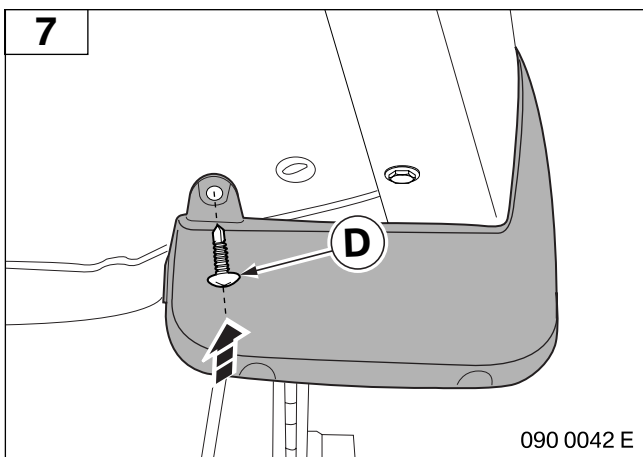
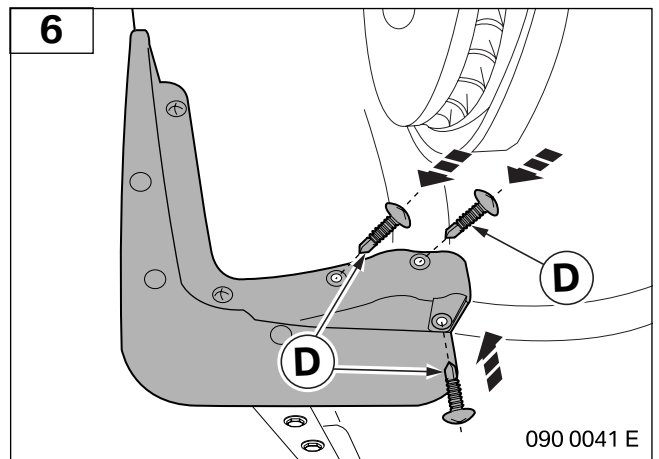
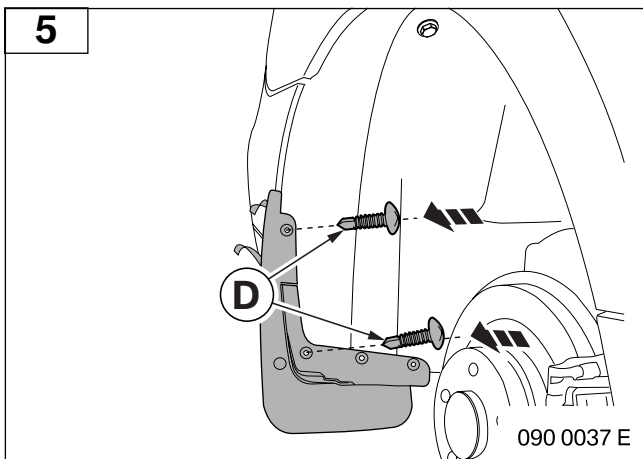
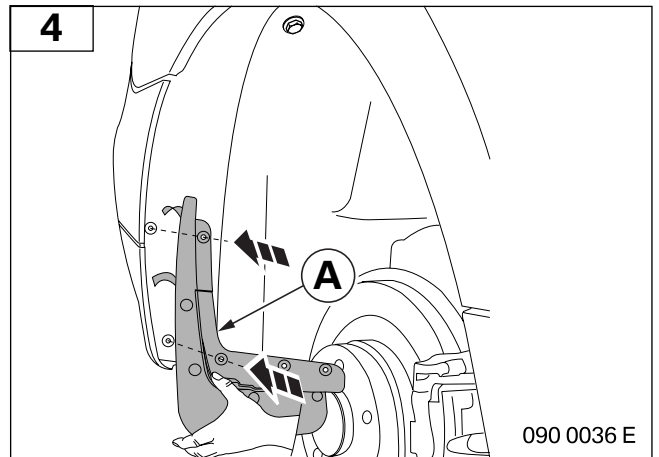
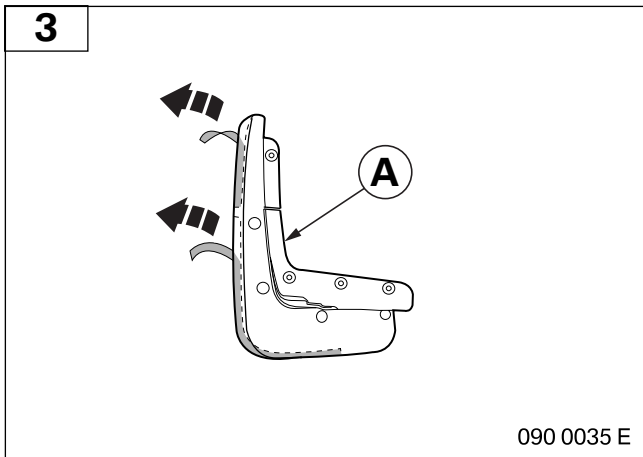
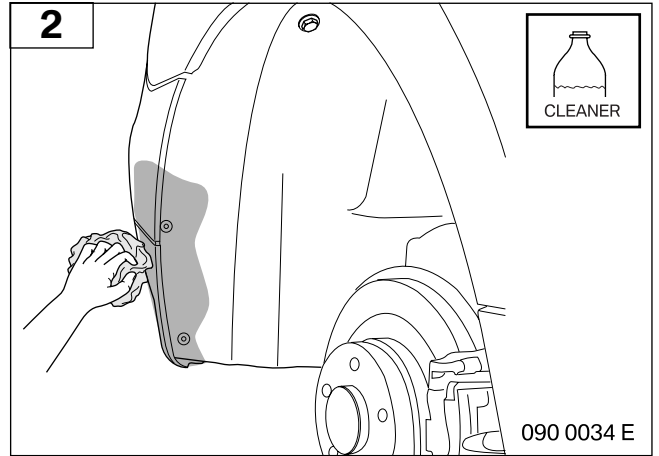
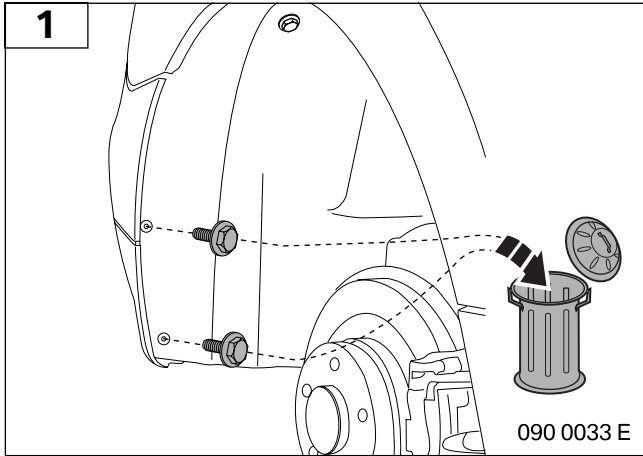
3. Installing rear left splash guard



3. Installing rear left splash guard



4. Installing rear right splash guard



4. Installing rear right splash guard

