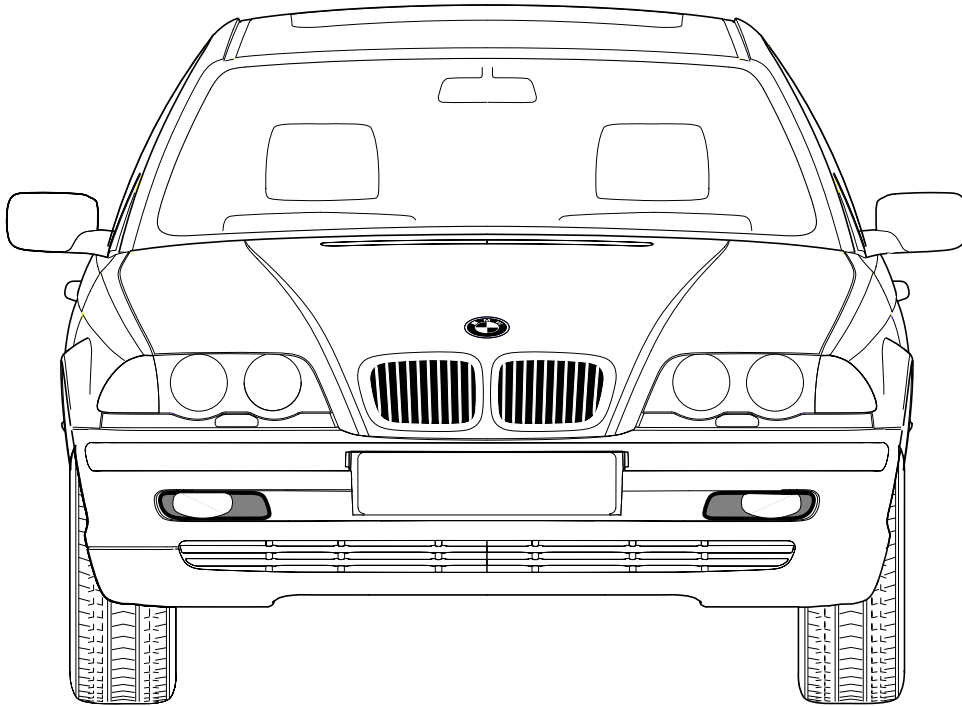




Teile und Zubehör - Einbauanleitung



F 46 63 001

BMW Parts and Accessories - Installation Instruction

Fog lights

BMW 3 Series Saloon (E46/4)

Fog lights

BMW 3 Series Saloon (E 46/4)

Specialist knowledge required.
Fitting time approx. 1.5 to 2.5 hours, depending on the condition of and equipment in the car.

General notes

If the specific pins or joint connectors are already in use, bridges, double crimps or parallel stops must be fitted.

The installation work is shown for a LHD model.

Tools and equipment required

Philips screwdriver
Straight slot screwdriver
1/4 inch reversible ratchet
Punch (3 mm in diameter)
Angle cutter
Universal knife
Open-ended spanners, 10 mm and 13 mm
1/4 inch sockets, sizes 8 mm and 10 mm
Special pliers for insulation-piercing connectors

Table of contents

Section

1. Preparations
2. Installation diagram for the additional wiring harnesses
3. Overview/Wiring harness installation
4. To install the additional wiring harnesses
5. To install the fog lights
6. To replace the control element
7. Function test
8. To adjust the fog lights
9. Wiring diagram

1. Preparations

- Print out the error memory.
- Disconnect the battery.
- Remove the battery (models with a battery in the engine compartment only).
- Remove the battery holder (models with a battery in the engine compartment only).
- Remove the glove box and the trims behind it.

RHD models only

- Remove the trim on the foot controls on the driver's side.

2. Installation diagram for the additional wiring harnesses

F 46 63 002

Item	Description	Abbreviation/ slot	Cable colour/ cross-section	Connection location in the car
A	Grey 2-pin plug	X768		Fog light, front left E26
B	Grey 2-pin plug	X769		Fog light, front right E27
C	Blade terminal	X44 PIN 2	ye/br 1.0 mm ²	Relay socket for fog lights K47 , behind glove box
D	Blade terminal	X219	brown 1.0 mm ²	Earth connector X219 in the joint connector box above fuse distributor A46
E	Blade terminal	X219	brown 0.5 mm ²	Earth connector X219 in the joint connector box above fuse distributor A46
F	Blade terminal	X44 PIN 4	br/bk 0.5 mm ²	Relay socket for fog lights K47 , behind glove box
G	Blade terminal	X10015 PIN 1	re/ye 1.0 mm ²	Fuse distributor A46 , fuse No. 38, behind glove box
H	Blade terminal	X44 PIN 6	re/ye 1.0 mm ²	Relay socket for fog lights K47 , behind glove box

3. Overview/Wiring harness installation

LHD models only

F46 63 003

The additional wiring harnesses (1) are to be installed at the following installation locations:

- 2 = Fog lights **E26, E27**
- 3 = Earth connector **X219**
- 4 = Relay socket **K47**
- 5 = Fuse distributor **A46**

RHD models only

F46 0283 EVA

The additional wiring harnesses (1) are to be installed at the following installation locations:

- 2 = Fog lights **E26, E27**
- 3 = Earth connector **X219**
- 4 = Relay socket **K47**
- 5 = Fuse distributor **A46**

4. To install the additional wiring harnesses

F 46 62 004

Remove the expanding rivets (1) and take off the plastic trim (2).

F 46 0346 EVA

Install additional wiring harness **A-D** (1) with branches **A-B** along the main cable loom past the radiator to the installation site of the fog lights and secure it with cable ties.



Tie back excess cable lengths. ◀

F 46 63 006

Make an opening in the rubber grommet (1) and install branches **C-D** (2) to the interior of the car.

RHD models only

F 46 0234 EVA

Remove the foam cover (1). Then lay the additional wiring harness (2) through the cable duct (3) to the footwell on the passenger side.



To prevent the additional wiring harness (2) interfering with the foot controls, secure the additional wiring harness (2) to the standard wiring harness using cable ties. ◀

F 46 63 007

Unclip the relay holder (1) in the exposed glove box area, after undoing the plastic nuts (2).

F 46 63 008

Unclip the fog light relay socket **K47** (1) and connect branches **C, F** and **H** (2) to the fog light relay socket **K47** (1) as set out in the table below.

Branch	Relay socket slot
C (yellow/brown)	PIN 2
F (brown/black)	PIN 4
H (red/yellow)	PIN 6
Existing (yellow/grey)	PIN 8

Refit the fog light relay socket **K47** (1) and insert the relay.

F 46 63 009

Lower the fuse holder **A46** (1) and remove the joint connector box (2). Insert branches **D** and **E** (3) into the earth joint connector **X219** (4) and refit the joint connector box (2).

F 46 63 010

Lay branch **G** (1) to the fuse distributor **A46** (2) and connect it to fuse slot No. 38, **X10015/1** (15 A). Insert the fuse (15 A) and refit the fuse distributor **A46** (2).



Before connecting branch **G** (1), the fuse distributor **A46** must be released. ◀

5. To install the fog lights

F 46 63 011

Remove the covers (1) from the fog light recesses.

F 46 63 012

Clip the securing clips (1) into the front apron (2).

F 46 63 013

Connect branches **A** and **B** on the additional wiring harness to the fog lights (1) from the rear and clip the fog lights (1) into the front apron (2).



The guide pins (3) on the fog lights (1) must engage in the recesses (4) in the front apron (2). ◀

6. To replace the control element

F 46 63 014

Carefully lever out the trim (1) with a flat screwdriver.

F 46 63 015

Undo the screws (1). Raise the light switch centre (2) a little at the front and pull it out.

F 46 63 016

Press in the engagement pins (1), remove the control section (2) and disconnect it. Connect the new control section and connect it to the light switch centre (3).

7. Function test

- Connect the battery.
- Insert the key into the ignition lock and turn it to position III.
- Switch on the side lights.
- Press the switch for the fog lights.
The control light in the instrument combination and the fog lights themselves should now be on.

8. To adjust the fog lights

Check the tyre pressures and correct them if necessary.

Move the car into its normal position.

Check the fog lights with an optical setting instrument as set out in the instructions for use supplied by the instrument's manufacturer.

Installation instruction

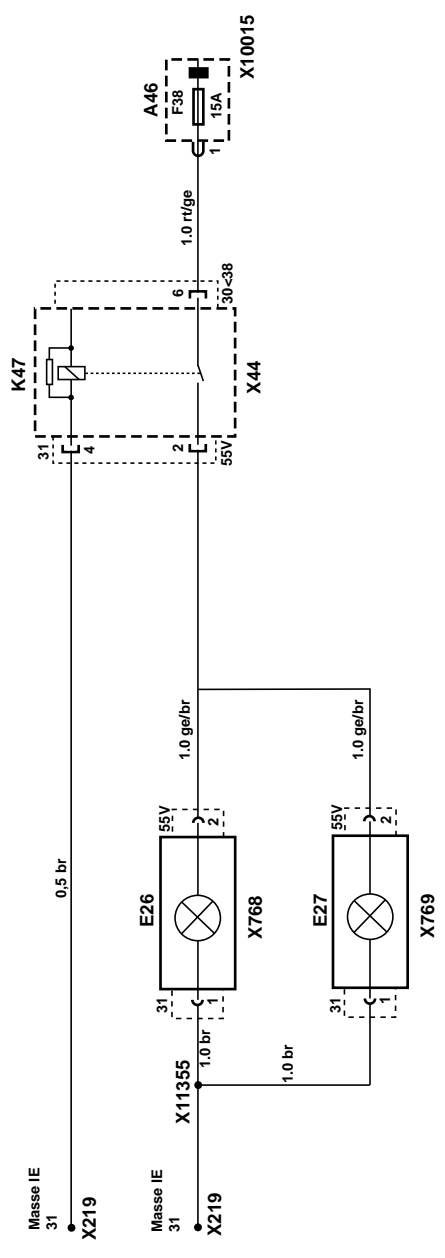
Replace all the removed parts in reverse order.

9. Wiring diagram

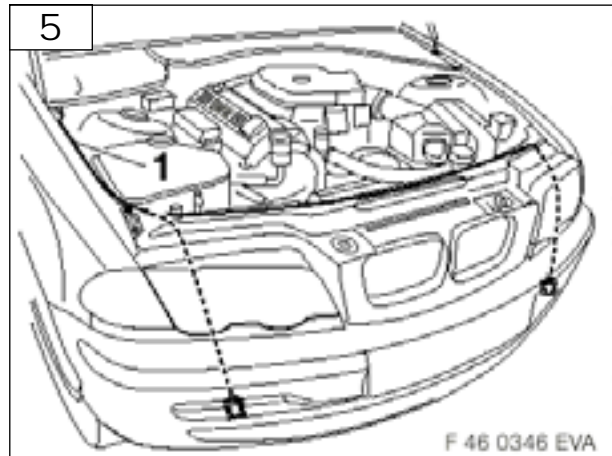
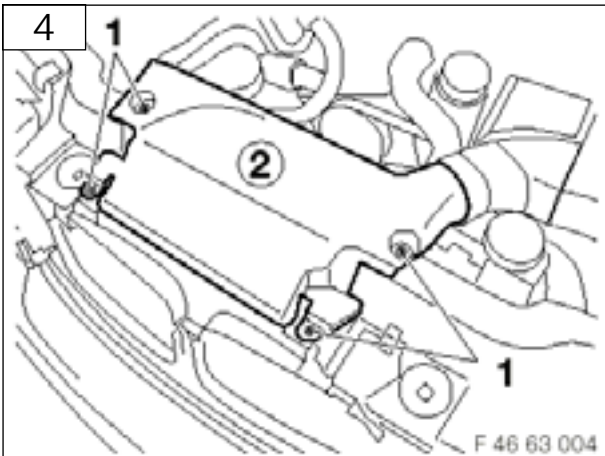
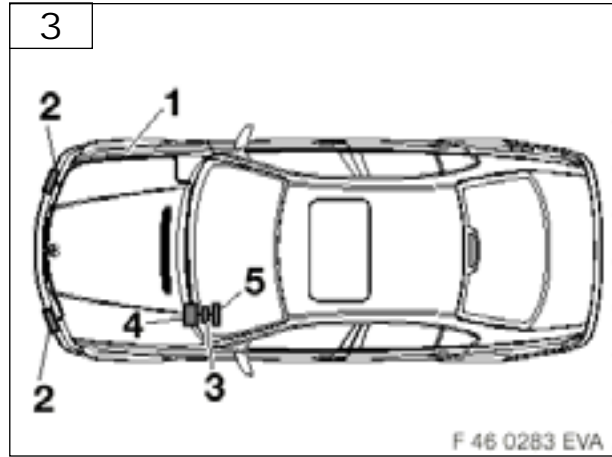
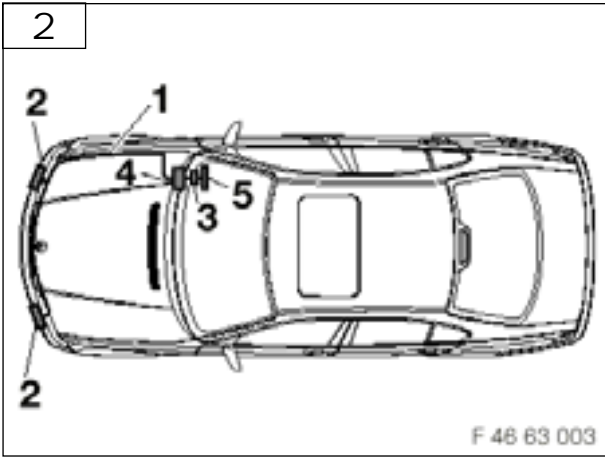
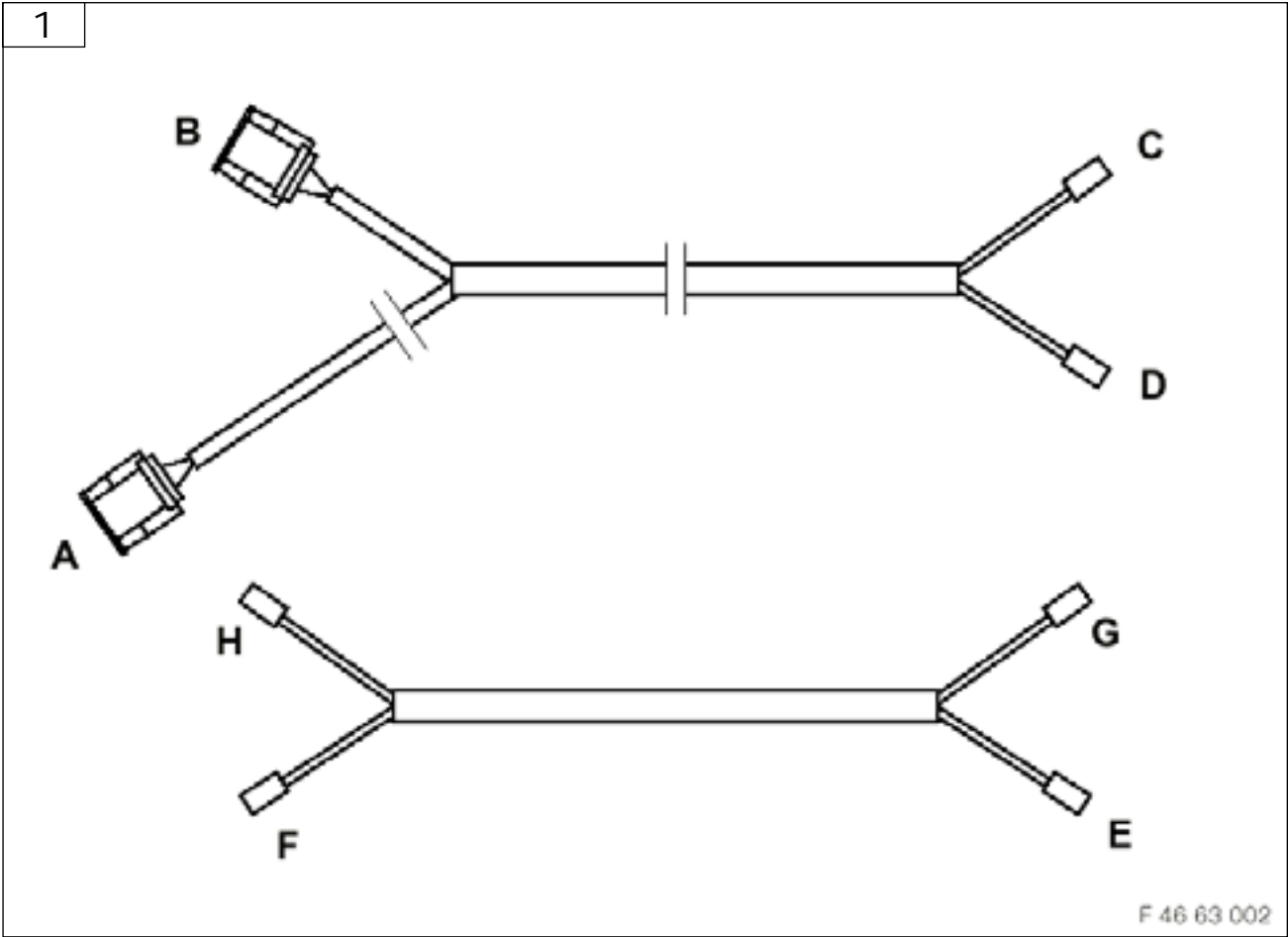
Legend

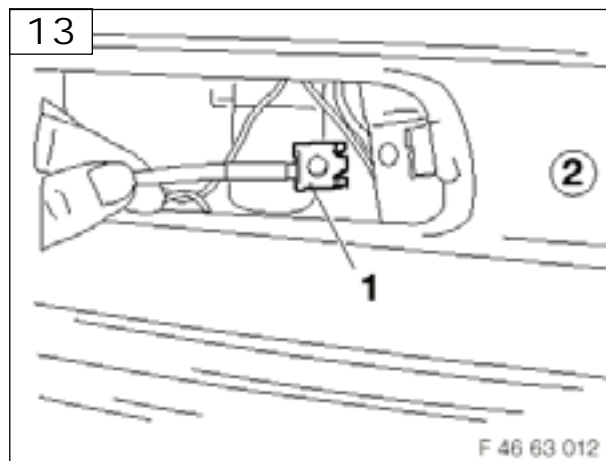
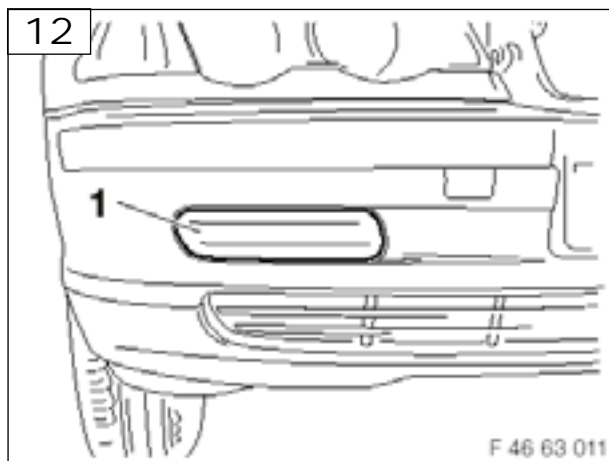
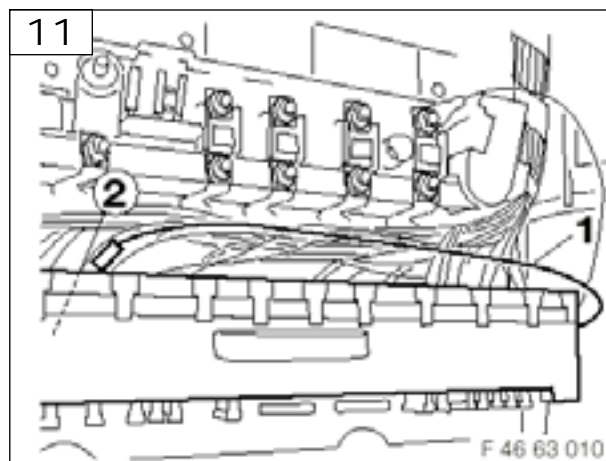
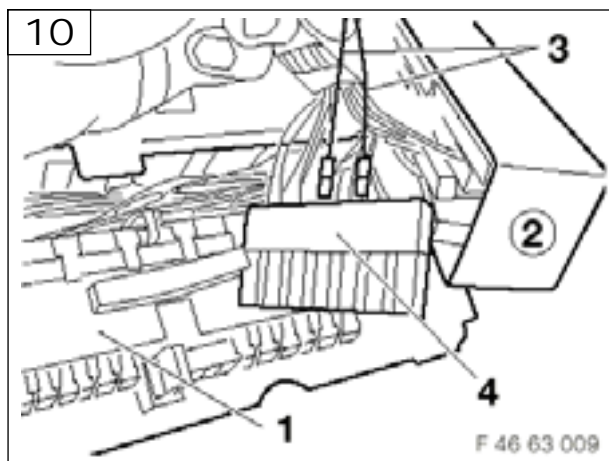
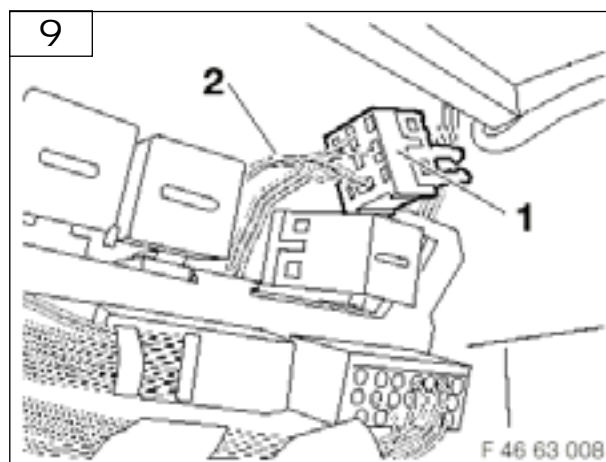
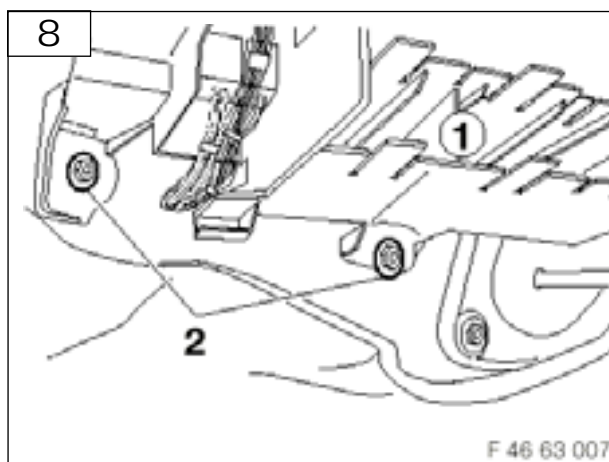
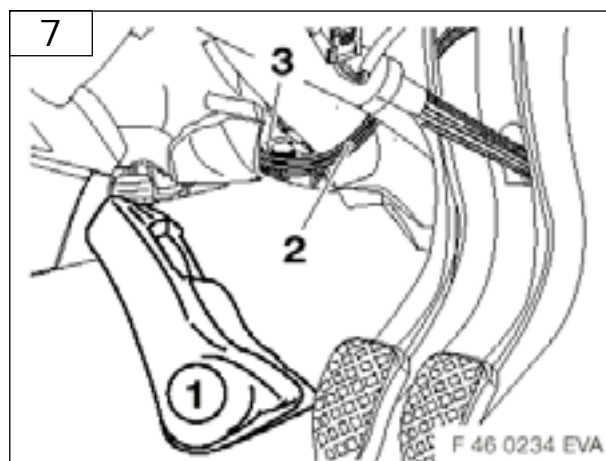
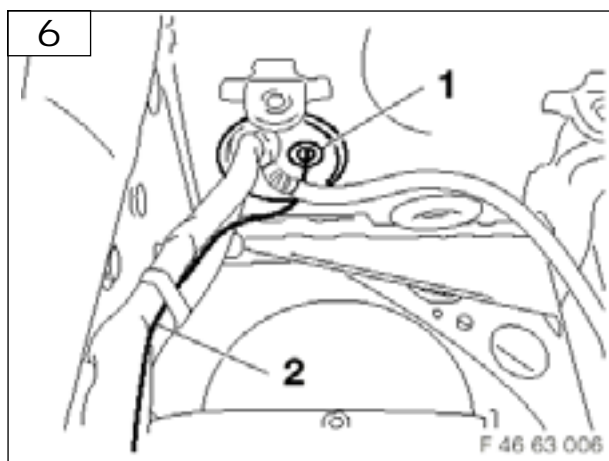
A46	Fuse holder I
E26	Fog light, left
E27	Fog light, right
K47	Fog light relay
X44	Fog light relay
X768	Fog light, left
X769	Fog light, right
X219	Earth connector
X10015	Fuse holder A46
X11355	Fog light earth connector

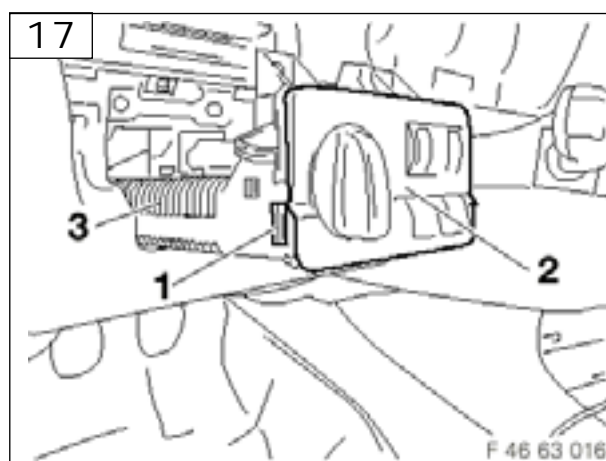
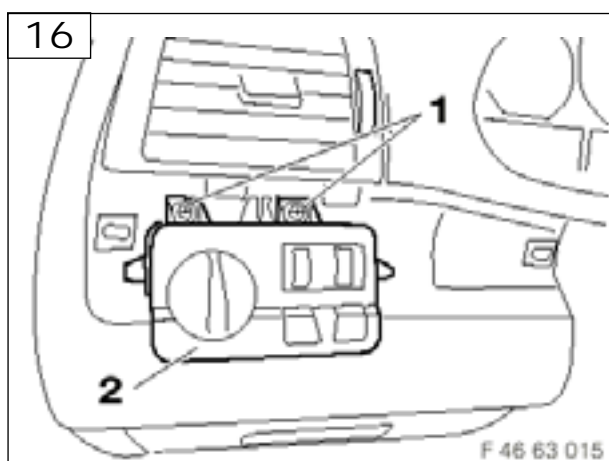
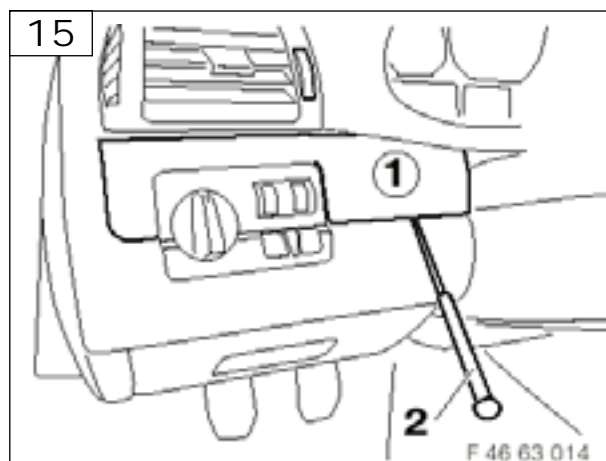
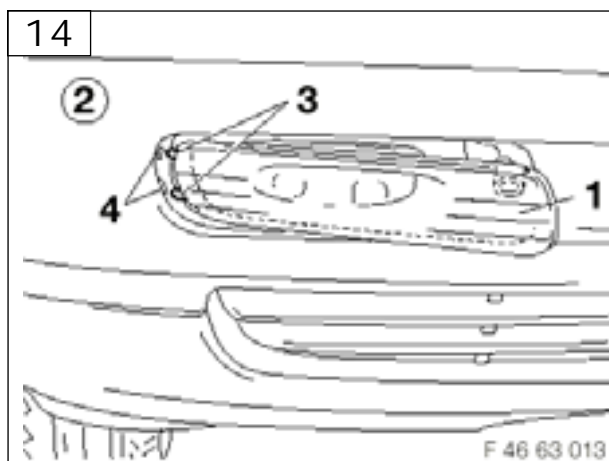
F 46 63 017



F 46 63 017







18

19

20

21

22

23

24

25

26

27

28

29

30

31

32

33

34

35

36

37

38

39

40

41

42

43

44

45

46

47

48

49

50

51

52

53

54

55

56

57

58

59

60

61

62

63

64

65

66

67

68

69

70

71

72

73

74

75

76

77

78

79

80

81

82

83

84

85

86

87

88

89

90

91

92

93

94

95

96

97

