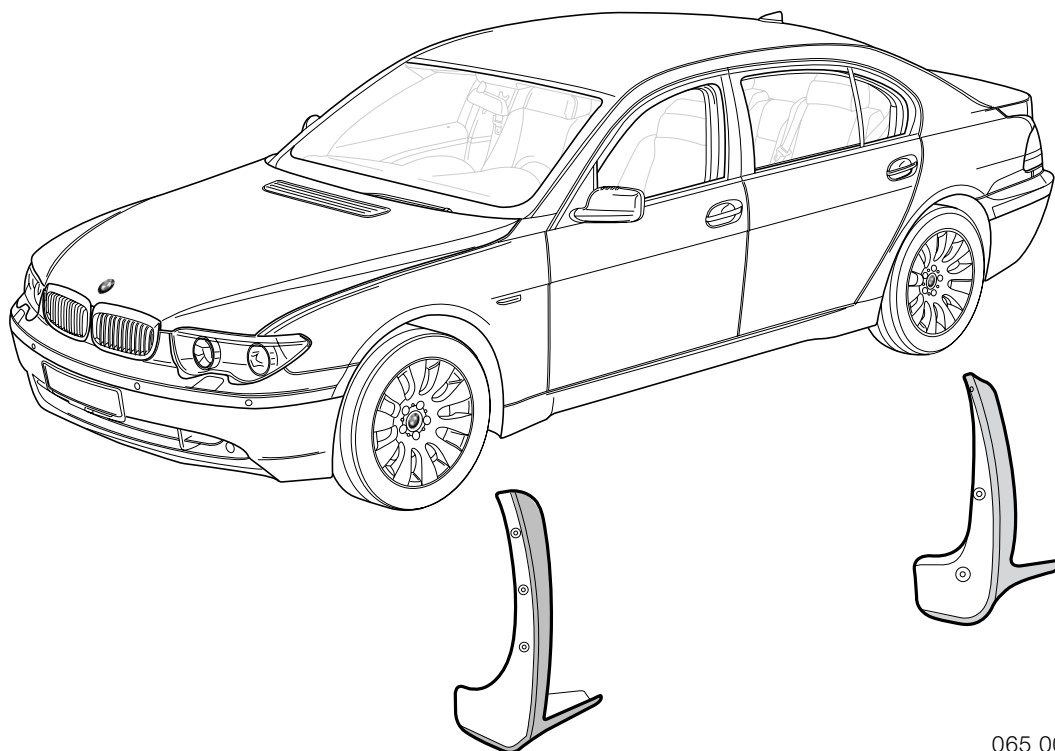




Parts and Accessories Installation Instructions



065 0013 B

BMW Accessory Mud Flap (Front/Rear) Installation Kit BMW 7 Series E65

Installation time approx. 1.0 hour (0.5 hours for front / 0.5 hours for rear).



Retrofit / Installation kit No. 82 16 0 143 225
 82 16 0 143 228

Contents

1. Important information for fitting the mud flaps	3
2. Parts list	4
3. To fit the front mud flaps	5
4. To fit the rear mud flaps.	6


1. Important information for fitting the mud flaps

Only for use in the BMW dealer organisation.

-  All the work is shown for the left-hand side of the car and must be repeated on the right-hand side. ◀
-  The necessary equipment for gluing can be taken from the workshop materials used in windscreen repairs. The surfaces to be glued must be cleaned with Sika cleaner. ◀

Item numbers refer only to the overview drawing and to the texts in the appropriate figure.

Painting instructions

-  Painting instructions must be given to the painter. ◀

The mud flaps are supplied **ready primed** (transparent primer) and have to be painted on the outside to match the body colour.

Follow the BMW painting instructions for all painting work.

Procedure: The mud flaps are made from EPDM.

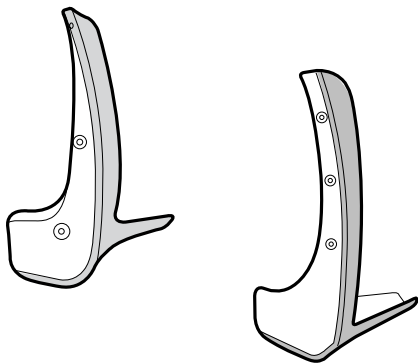
BMW acrylic paint + 50 % softface additive.

The maximum temperature for stoving the paint is 60°C.


Maximum installation time 45 minutes.

The figure shows the front left and rear left mud flaps.

The areas marked in grey on the front and rear mud flaps must be painted in the body colour.



065 0001 B

-  The components all have a clearly identifiable masking line. ◀

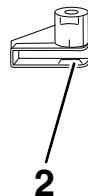
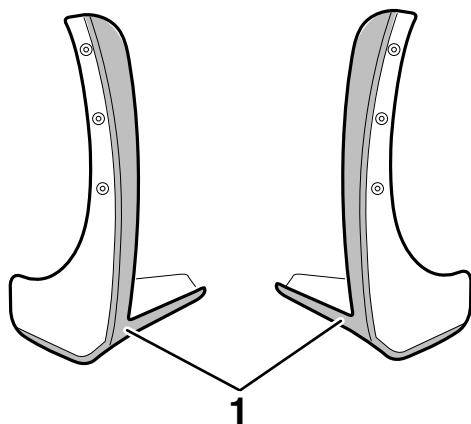
Subject to technical modifications

Equipment required for gluing

Manufacturer of the equipment:
Sika Automotive GmbH
Kornwestheimerstr. 107
D-70439 Stuttgart

2. Parts list

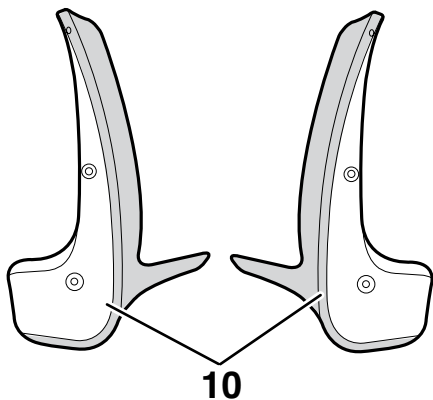
2.a Front mud flap parts list



065 0002 B

- 1 Front mud flap (left/right)
- 2 Plastic nut (4x)
- 3 Philips screw 3.9x13 mm (6x)

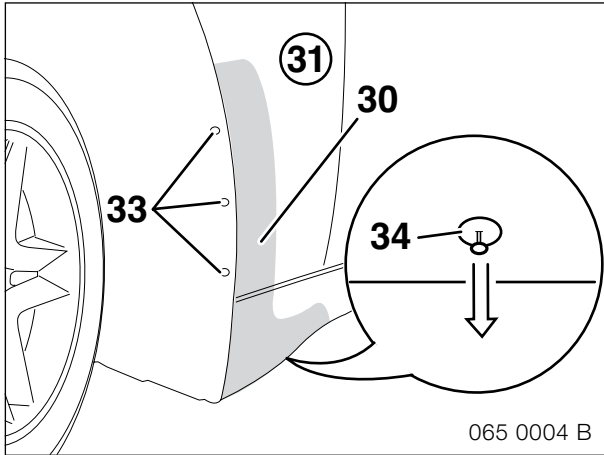
2.b Rear mud flap parts list



065 0003 B

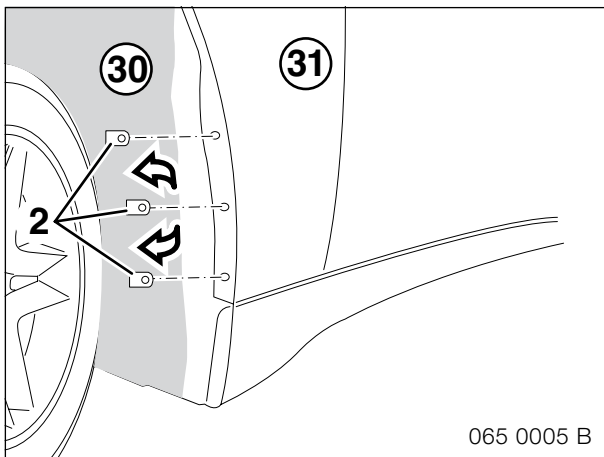
- 10 Rear mud flap (left/right)
- 11 Philips screw 3.9x13 mm (2x)
- 12 Short speed nut 3.9 mm (2x)
- 13 Plastic expanding rivet \varnothing 6 mm (2x)

3. To fit the front mud flaps

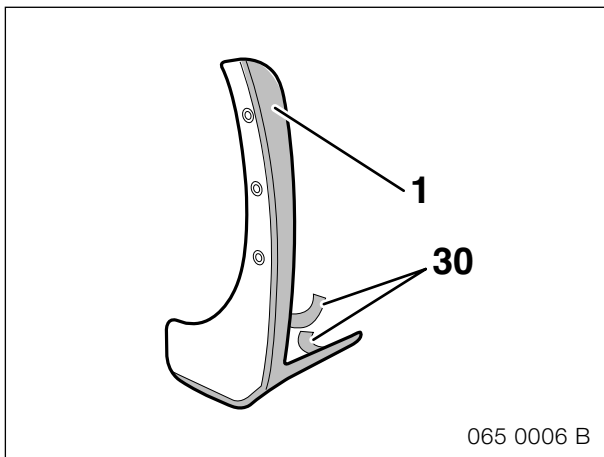


Clean the area marked grey (30) on the side panel (31) with Sika primer 205/5 and leave to dry for **5 minutes**.

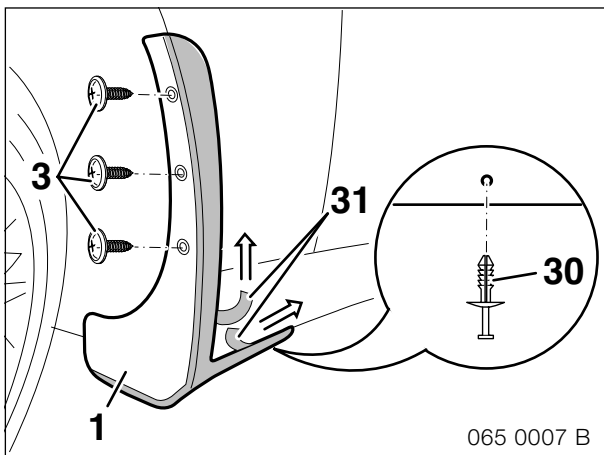
Remove the rivets (33), they are no longer required. Remove the expanding rivet (34) from the door sill. It is re-used (replace with a new one if necessary).



Fold the wheel arch trim (30) back from the side panel (31) and put three plastic nuts (2) onto the side panel (31).



Carefully pull about 30 mm of protective film (30) from the adhesive tape on the painted front mud flap (1) as shown in the figure and fold it outwards.

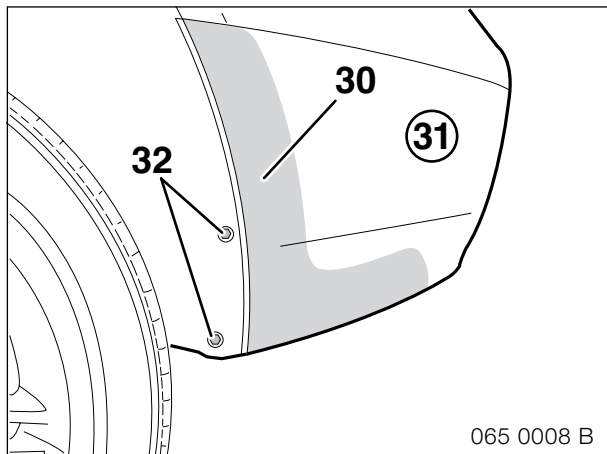


Carefully position the painted mud flap (1) at the installation site and use three Philips screws 3.9x13 mm (3) to screw it on. Use the existing expanding rivet (30), as shown in the magnified view, to attach the painted mud flap (1) to the body. Press the painted mud flap (1) against the side panel and carefully pull out the protective films (31) from the adhesive tapes.

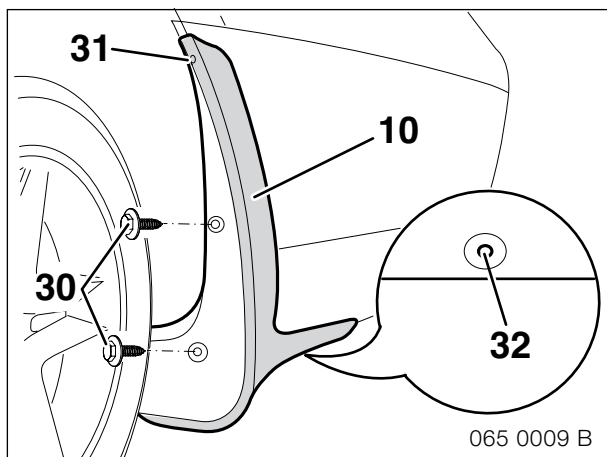


After the complete installation of the mud flap, press all the external contours and corners firmly into position again. ◀

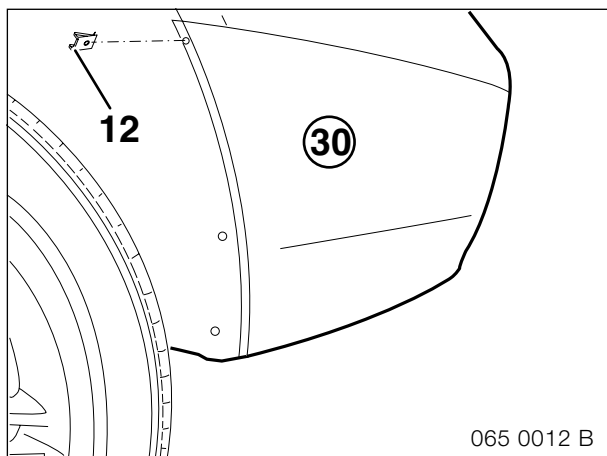
4. To fit the rear mud flaps



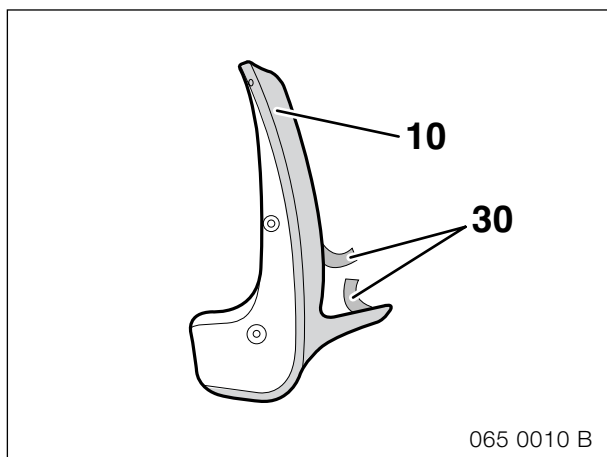
Clean the area marked grey (30) on the rear apron (31) with Sika primer 205/5 and leave to dry for **5 minutes**.
Remove both hexagonal screws (32), they are re-used.



Position the mud flap (10) accurately on the installation site.
Screw it on with the existing hexagonal screws (30).
Transfer the openings (31) and (32) on the mud flap (10) onto the rear apron.
Drill a 4 mm hole in the rear apron at the market point (31) and deburr the hole.
Drill a 6 mm hole in the rear apron at the market point (32) and deburr the hole.

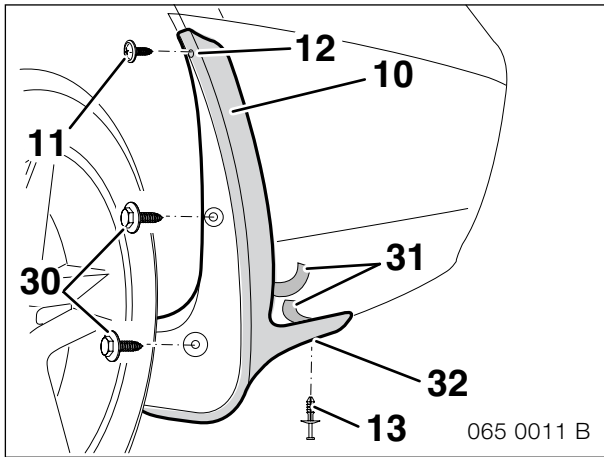


Then remove the mud flap and push the speed nuts (12) onto the new holes in the rear apron (30).



Carefully pull about 30 mm of protective film (30) from the adhesive tape on the painted rear mud flap (10) as shown in the figure and fold it outwards.

4. To fit the rear mud flaps



Carefully position the painted mud flap (10) at the installation site and the two existing hexagonal screws (30) to screw it on. Screw the Philips screw (11) into the speed nut (12).

Attach the painted mud flap (10) to the rear apron using the expanding rivet (13).

Press the painted mud flap (10) against the car and carefully pull out the protective films (32) from the adhesive tapes.



After the complete installation of the mud flap, press all the external contours and corners firmly into position again. ◀