



# Parts and Accessories Installation Instructions

## White Tail Lights Retrofit BMW Z4 (E85)

### Important information

Only for use in the BMW dealer organisation.

Ensure that the cables/lines are not kinked or damaged as you install them in the car.

Some of the work is only shown on one side of the car. Proceed in exactly the same way on the other side of the car.



Only fit the DIADEM lamps in the positions intended for them. ◀

Subject to technical modifications.

### Target group

The target group for these installation instructions is specialist personnel trained on BMW cars with the appropriate specialist knowledge.

All work must be completed using the latest repair manuals, circuit diagrams, servicing manuals and work instructions in a rational order using the prescribed tools (special tools) and observing current health and safety regulations.

The installation time is approx. 0.5 hours, but this may vary depending on the condition of the car and the equipment in it.

Retrofit kit No.: 63 21 0 151 626

### Special tools required

None

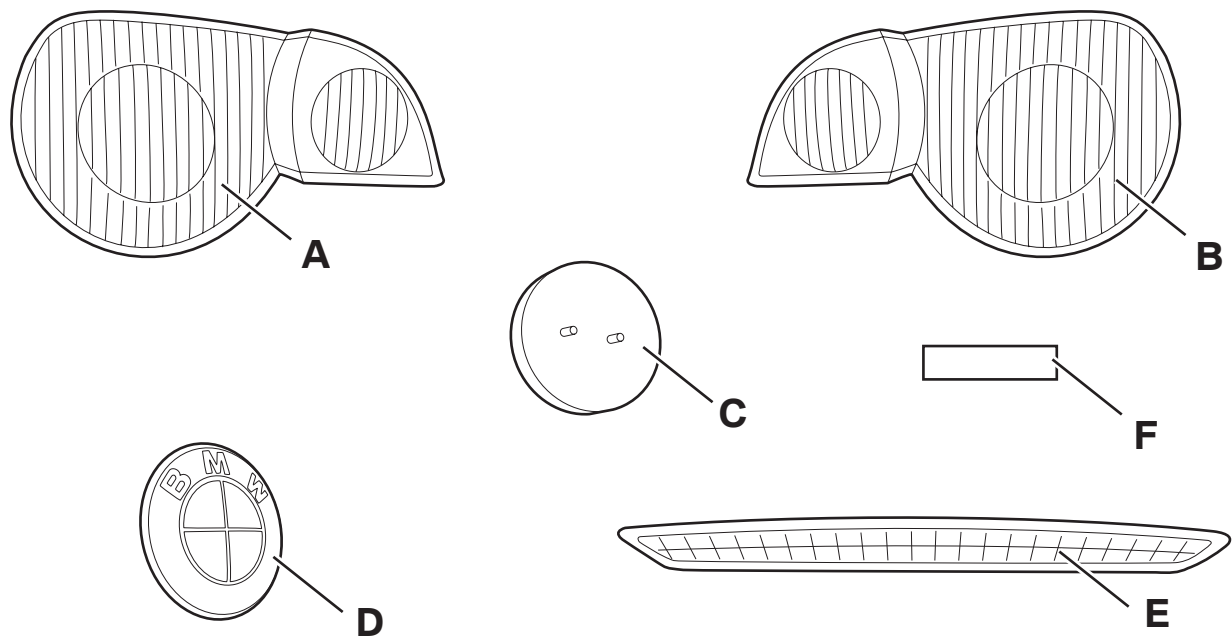
## Contents

Section	Page
1. Preparations.....	3
2. Parts kit.....	4
3. To install the retrofit.....	5
4. Concluding work and coding.....	6

## 1. Preparations

	<b>TIS instruction No.</b>
Conduct a brief test	
Disconnect the negative pole of the battery	12 00 ...
<b>The following components must be removed first of all:</b>	
Additional indicator lights on the front left and right	63 13 200
Tail lights, left and right	63 21 180
Additional brake light	63 25 000

## 2. Parts kit

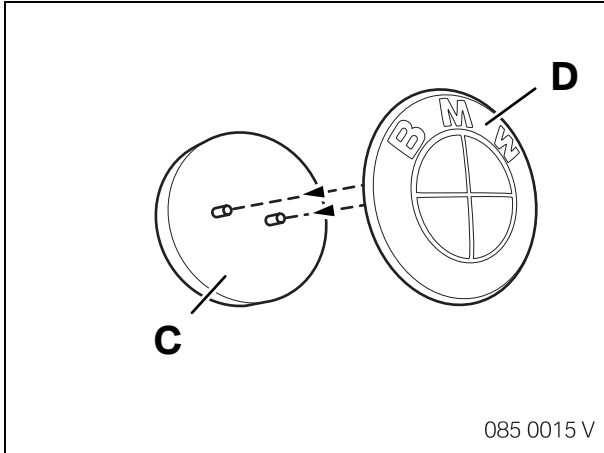


085 0013 v

### Legend

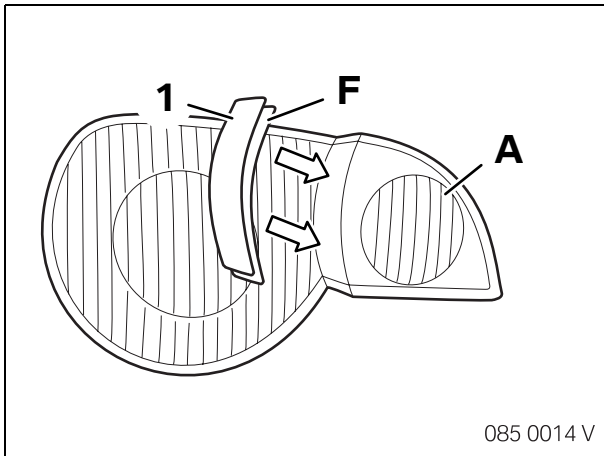
- |          |                                       |          |                                   |
|----------|---------------------------------------|----------|-----------------------------------|
| <b>A</b> | White tail light, left (1x)           | <b>D</b> | Badge (2x)                        |
| <b>B</b> | White tail light, right (1x)          | <b>E</b> | White additional brake light (1x) |
| <b>C</b> | White additional indicator light (2x) | <b>F</b> | Strip of adhesive tape (2x)       |

### 3. To install the retrofit



▶ Install the additional white indicators **C** on the car before affixing the sticker **D**. ◀

Pull off the backing foil and stick the badge **E** onto the white additional indicator light **C**.



Use a suitable tool to remove the plastic trim (1) carefully from the left tail light.

Remove any adhesive residue.

Stick the strip of adhesive tape **F** onto the plastic trim (1) and affix the plastic trim **F** to the white left tail light **A**.

Install the white left tail light **A** and the white right tail light **B** as described in the TIS 63 21 180.

Install the white **C** additional indicator light as described in the TIS 63 13 200.

Install the white **E** additional brake light as described in the TIS 63 25 000.

## 4. Concluding work and coding



The white tail lights retrofit requires coding. ◀

- Connect the battery, connect a charger
- Program/code the white tail light retrofit with DISPlus, MoDIC III or the GT-1 using the CIP application and follow the instructions in the program
- Conduct a function test
- Re-assemble the car