



BMW Remote Control Vehicle Security System

Installation Instructions For
Factory Prewired 1997 MY 3-Series
Vehicles Including:
318i, 318iC, 318is, 318ti,
328i, 328iC, 328is, and M3

Alarm Kit

P/N 82 11 1 469 444
For Dealer Installation

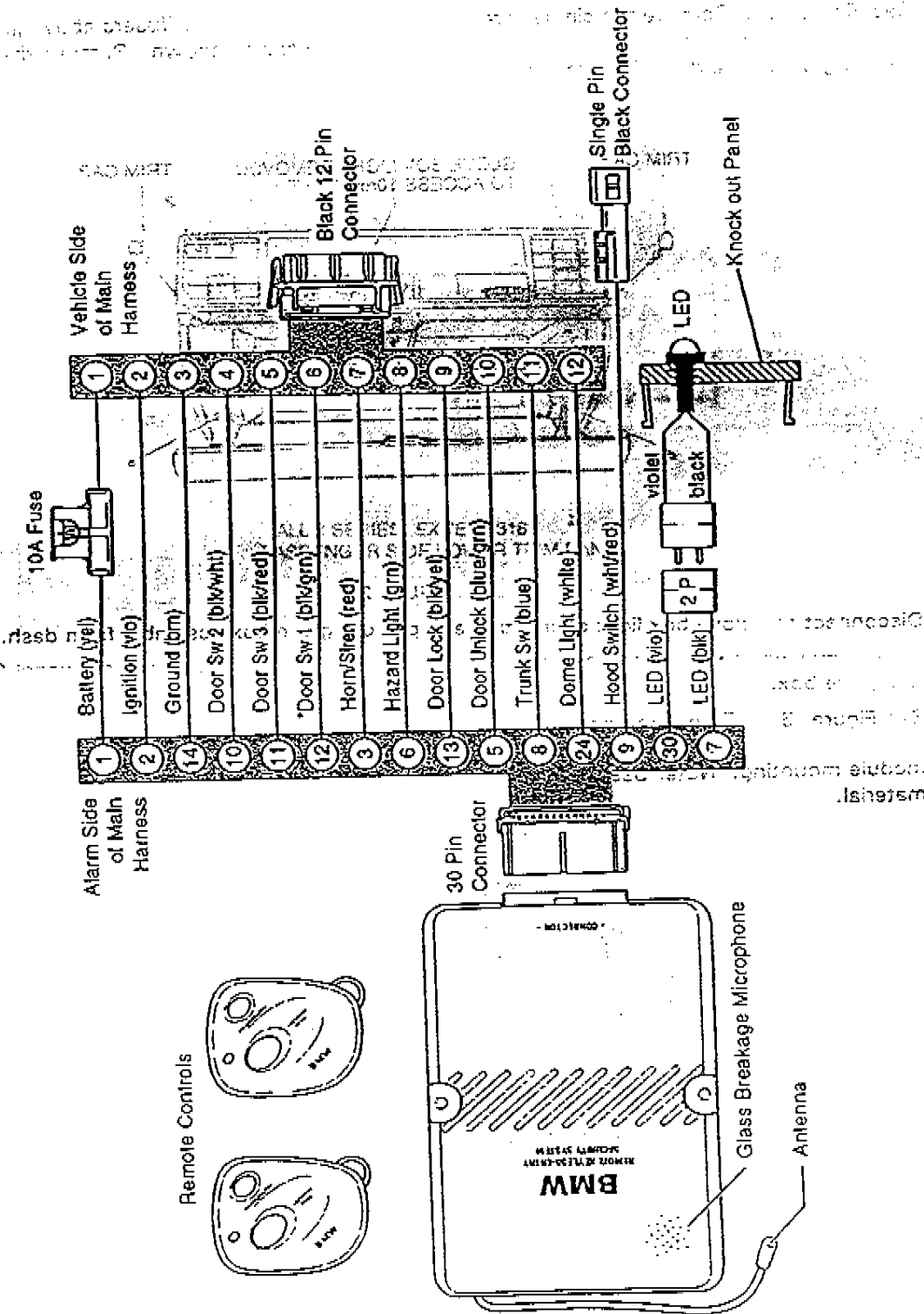
P/N 82 11 1 469 444P
For Port Installation

BMW of North America, Inc.
Product & Service Engineering Dept.

November 1996
a:instal inst:remotsc2.doc

68P90579W85-O
Printed in Japan

BMW SECURITY WIRING DIAGRAM



CONTROL UNIT INSTALLATION.**All 3-Series models (except 318ti)**

1. See Figure 2 . Remove the single screw behind each of the vent diffusers above glove box. Open glove box door and carefully remove the two trim caps as shown. Remove the eight securing screws and single 10mm hex head bolt as shown.

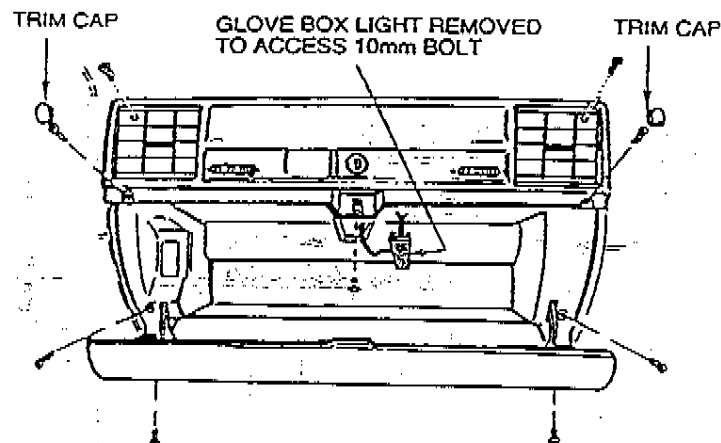


FIGURE 2

2. Disconnect the glove box light connection and pull out glove box assembly from dash.
3. After removing the glove box assembly, remove the passenger side lower trim panel from under the glove box.
4. See Figure 3 . Turn trim panel over and remove insulation material from the indicated area as shown. Remove insulation and adhesive material as shown to provide a clean surface for alarm module mounting. Note: Use of a heat gun will speed up the removal of insulation and adhesive material.

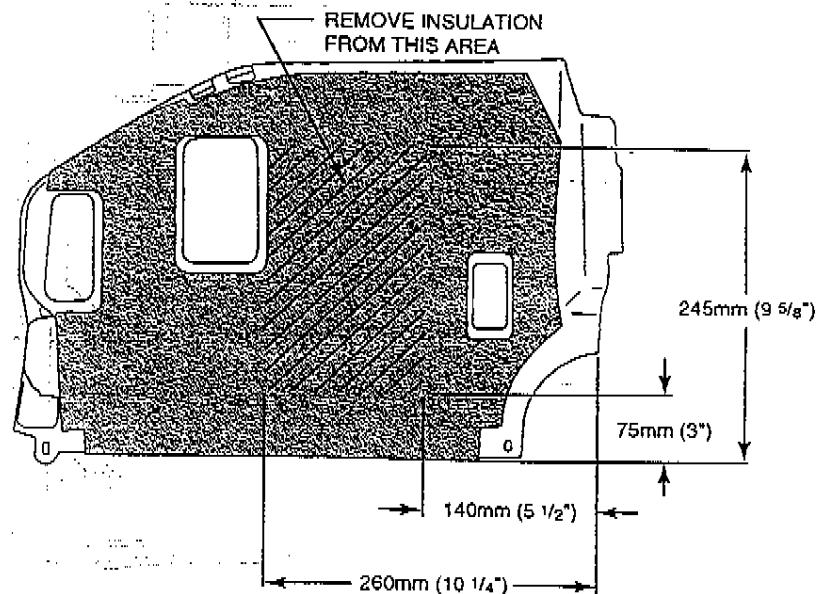
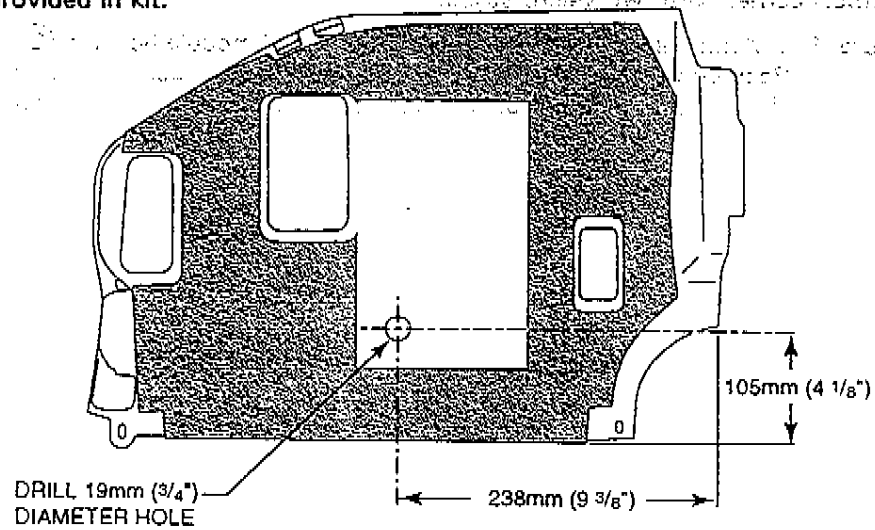


FIGURE 3

ALL 3 SERIES, EXCEPT 318ti AND Z3
PASSENGER SIDE LOWER TRIM PANEL

5. See Figure 4. Alarm control unit is to be mounted to underside of electrical carrier with two velcro strips provided in kit.



ALL 3 SERIES, EXCEPT 318ti
PASSENGER SIDE LOWER TRIM PANEL

FIGURE 4

6. The alarm control module is installed behind the glove box, mounted onto the bottom surface of the electrical carrier with two velcro strips.

See Figure 5 . Affix velcro strips ④ onto alarm control module housing ② (side opposite microphone). Position first velcro strip at left edge of module housing. Position second velcro strip 28.5mm (1 1/8") to the right of the first velcro strip (reference dimension "A").

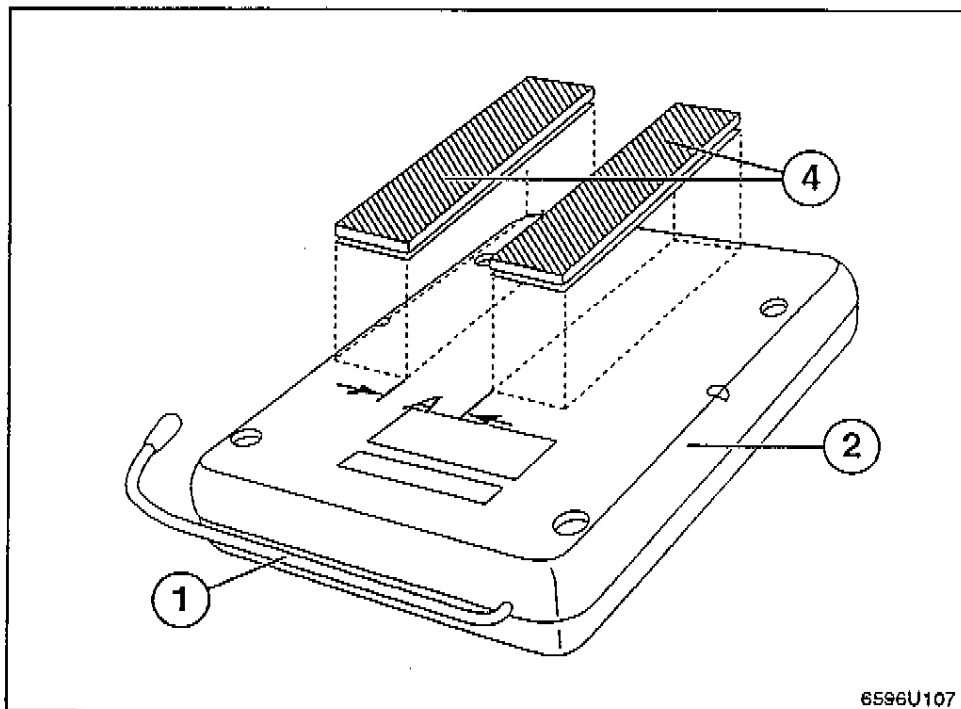


FIGURE 5

7. See Figure 6 . Remove protective paper from velcro strips (6) and attach alarm control module (2) to bottom surface of the electrical carrier (5) . Note: Properly positioned, the left side of the alarm control module should line up with the left side of the electrical carrier and the connector end of the alarm control module should not extend beyond the backside (side closest to front of vehicle) of the electrical carrier.

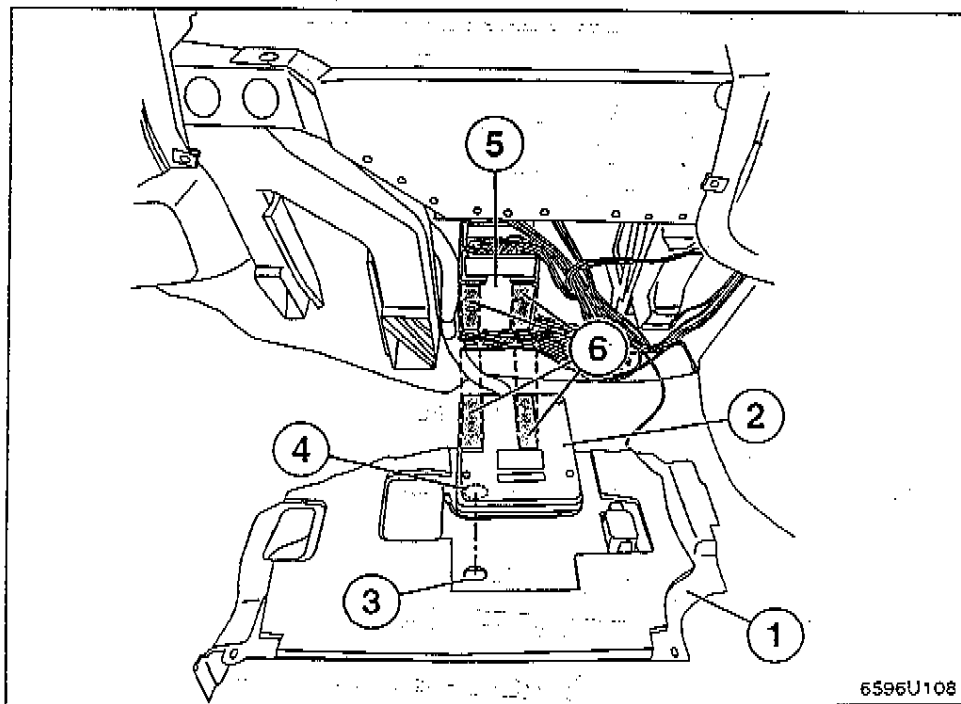


FIGURE 6

Note: When reinstalling trim panel in vehicle (after final wiring) make sure mic on alarm control module is centered directly over drilled out 19mm (3/4") hole to insure proper alarm operation.

Alarm control module can be moved slightly to insure correct hole/mic alignment.

CONTROL UNIT INSTALLATION.**Model 318ti**

1. See Figure 7 . Open glove box door and carefully remove the securing screws as shown. Close glove box door and remove the remaining securing screws. Make sure you remember which screws are fitted with plastic trim caps since these screws with plastic trim caps must be reinstalled in their original location during reassembly.

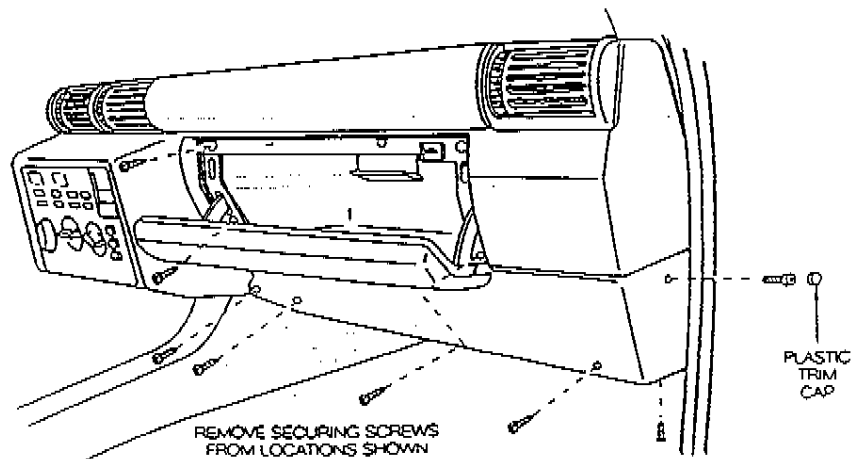


FIGURE 7

2. See Figure 8 . Pull out glove box from dash and disconnect all electrical wiring connections from it. Then remove the passenger side knee bolster by removing three 10mm hex head bolts.

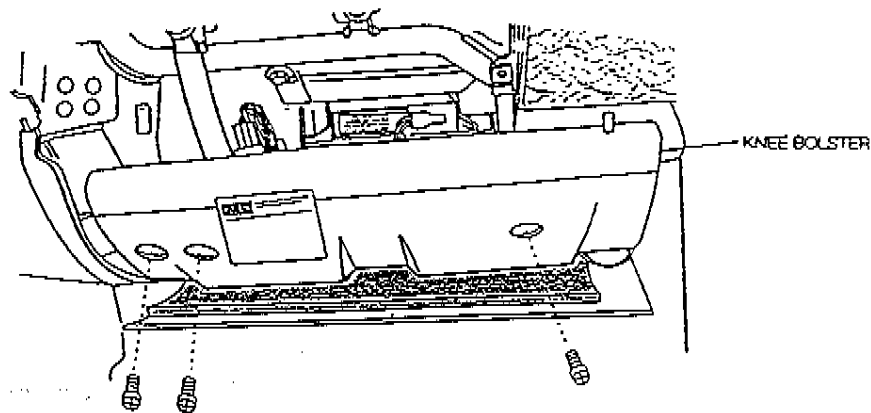
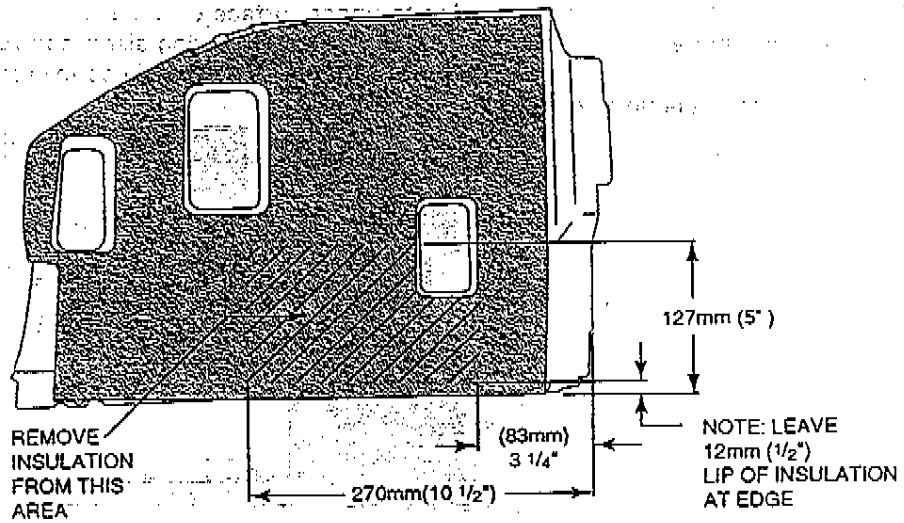


FIGURE 8

3. After removing the glove box assembly remove the passenger side lower trim panel from under the glove box.
4. See Figure 9 . Turn trim panel over and remove insulation material from the indicated area as shown. Remove insulation and adhesive material as shown to provide a clean surface for alarm module mounting.

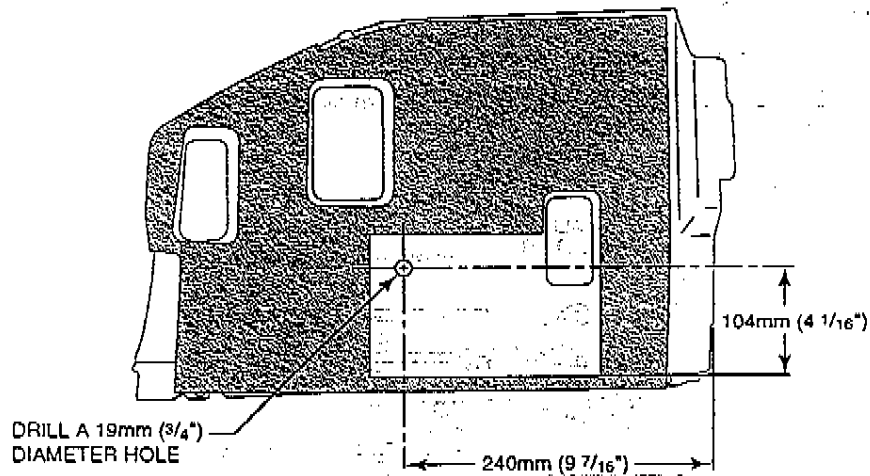
Note: Use of a heat gun will speed up the removal of insulation and adhesive material.



MODEL 318ti (ONLY)
PASSENGER SIDE LOWER TRIM PANEL

FIGURE 9

- See Figure 10 . Locate and drill a 3/4" (19mm) diameter hole in trim panel for microphone access.



MODEL 318ti (ONLY)
PASSENGER SIDE LOWER TRIM PANEL

FIGURE 10

- See Figure 11 . Affix velcro strips to upper surface of the alarm control module. BMW label and microphone opening must face down when mounting alarm control module. Mount alarm control module on trim panel. Position alarm control module so microphone is positioned over 3/4" (19mm) diameter hole.

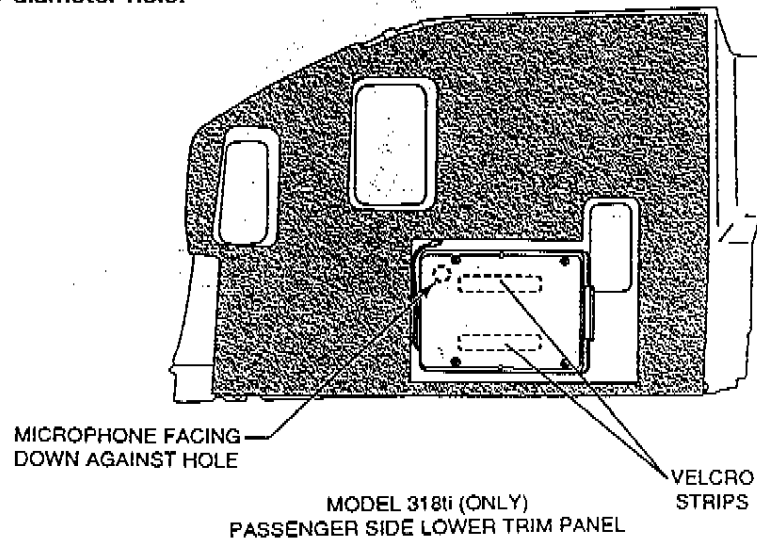


FIGURE 11

FINAL WIRING ALARM CONTROL MODULE.

3 Series Models (except 318ti)

- Insert alarm wire harness connector (green 30 pin connector) into alarm control module.
- See Figure 12 . Locate factory installed hood switch connector (single position black Amp male connector) violet/green/yellow wire and connect to the alarm harness single position black AMP female connector.

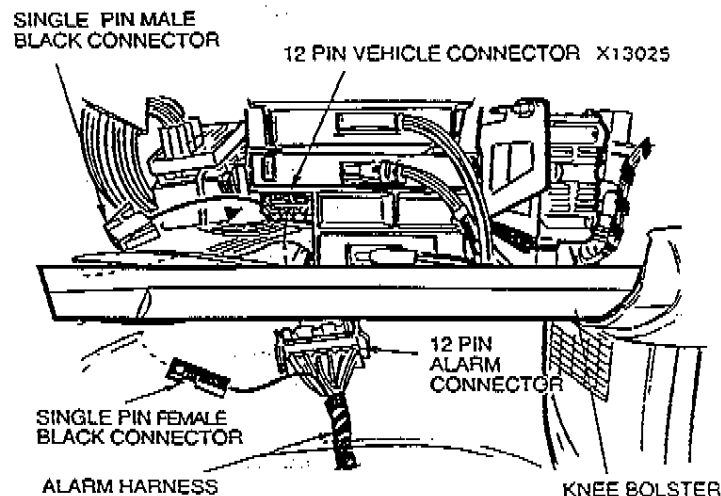


FIGURE 12

3-SERIES EXCEPT 318ti

FINAL WIRING ALARM CONTROL MODULE.**Model 318ti**

1. Insert alarm wire harness connector (green 30 pin connector) into alarm control module.
2. See Figure 13 . Locate factory installed hood switch connector (single position black Amp male connector) violet/green/yellow wire and connect to the alarm harness single position black AMP female connector.

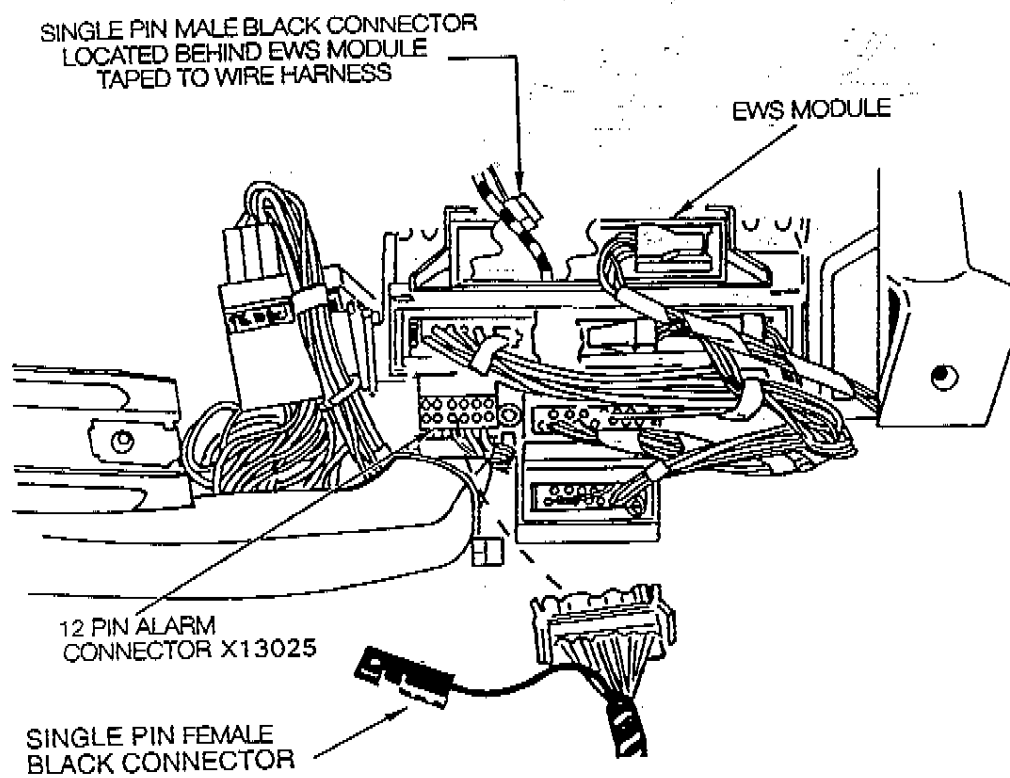


FIGURE 13
MODEL 318ti (ONLY)

LED INSTALLATION.**3 Series Models (except 318ti)**

The LED is mounted on one of the knock out panels located on the center console forward of the gear shift selector handle.

1. See Figure 14 . To remove the knock out panel, pry out the multi information display (BC V or Multi Function Clock) from the dashboard and lift up the forward console panel containing the knock out panels. Select one of the knock out panels and push out from the underside.

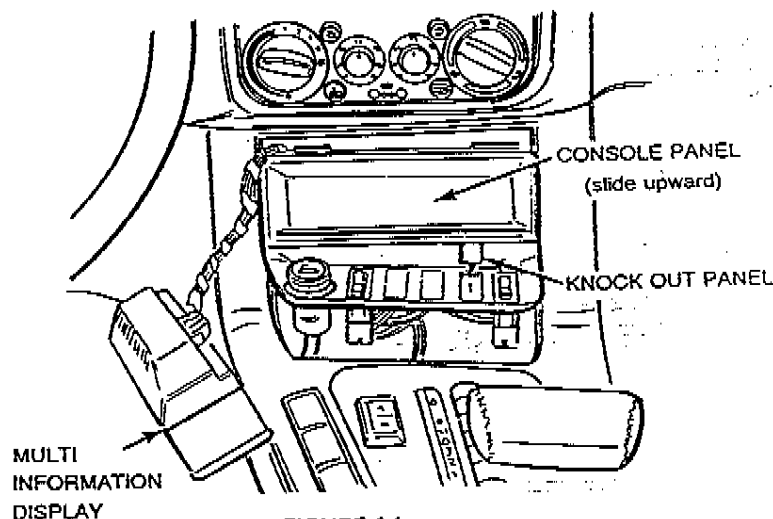


FIGURE 14

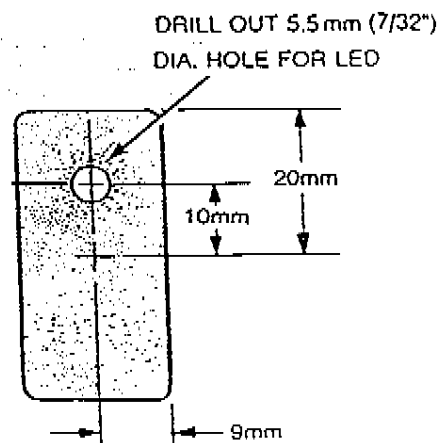


FIGURE 15

2. See Figure 15 . Locate and mark center of the knock out panel for LED mounting.
3. Drill a 7/32" (5.5mm) diameter hole for LED installation.
4. See Figure 16 . Install LED in knock out panel. Properly install LED wires into white plug housing (supplied in kit) so that wire color markings match those on the alarm wiring harness. Use the foil tag on the LED wires as guide reference.
5. Route LED main harness wire from the glove compartment area (where alarm module will be located) through center console to LED in console panel. Connect LED main harness wire into LED plug.

NOTE: Should the LED fit loosely into the drilled hole, it can be secured in place with a carefully applied drop of "super glue" (not supplied in kit) applied on the backside of the knock out panel.

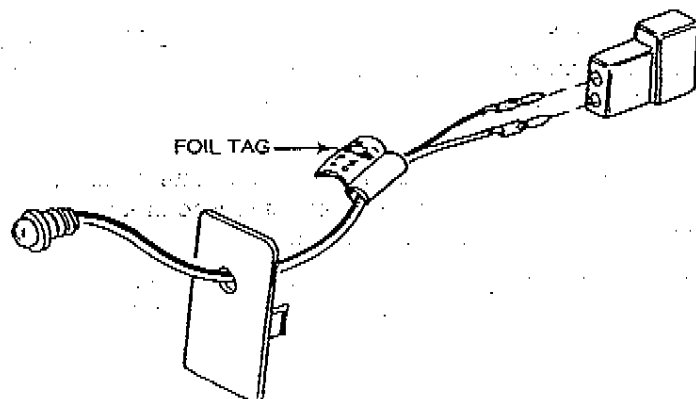


FIGURE 16

LED INSTALLATION.

Model 318ti

The LED is mounted above the cigarette lighter on the front ash tray housing. This housing is located in the center console forward of the gear shift selector handle.

1. Remove front ash tray housing by lifting out ash tray insert to expose two Philips head retainer screws. Remove these two screws and pull out housing. Remove cigarette lighter insert.
2. See Figure 17 . Remove cigarette lighter. Using the template supplied on page 17 (cut out from installation instructions sheet) locate the position of the mounting hole for LED. Use a center punch to mark location of the mounting hole.

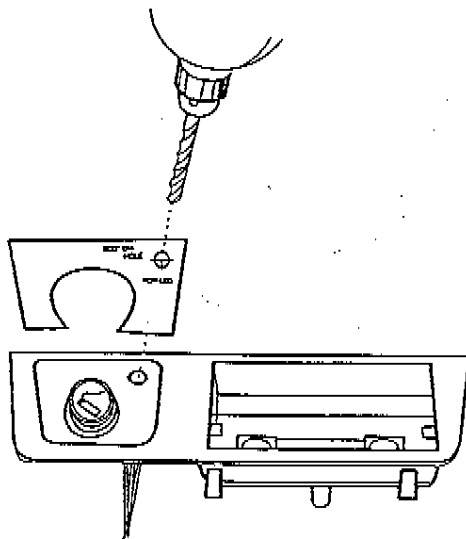


FIGURE 17

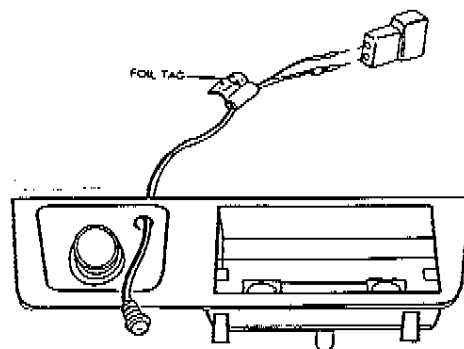


FIGURE 18

3. Drill a 7/32" (5/5mm) diameter hole for the LED.

Note: Should the LED fit loosely into the drilled hole, it can be secured in place with a carefully applied drop of "super glue" (not supplied in kit) applied on the backside of the knock out panel.

4. See Figure 18 . Install LED in ash tray housing. Properly install LED wire leads into the white plug housing (supplied in kit) so that wire color markings match those on the alarm wiring harness. Use the foil tag on the LED wires as a guide reference.

IMPORTANT! When routing LED lead wires around the metal cigarette housing (back side of ash tray housing), position and secure LED wires with tie wraps (supplied in kit) to prevent them from touching or coming too close to the metal cigarette housing.

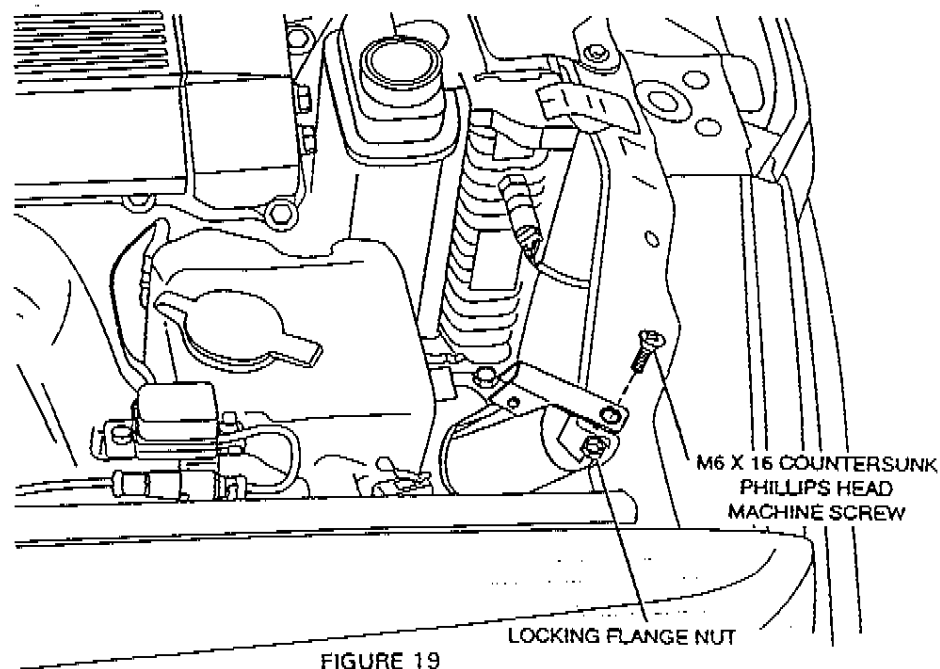
5. Route LED main harness wire from the glove compartment area (where alarm module will be located) through center console to LED in console panel. Connect LED main harness wire into LED plug.

SIREN INSTALLATION.

3 Series Models including 318ti

Siren with mounting bracket is to be mounted in forward RH (passenger) side of engine compartment on the metal cross brace behind RH headlight assembly. See Figure 19

1. Open engine compartment hood.
2. Locate and remove the far right wire harness support clip from the metal cross brace. See Figure 19 .



3. See Figure 20 . Attach siren bracket to siren housing as shown.

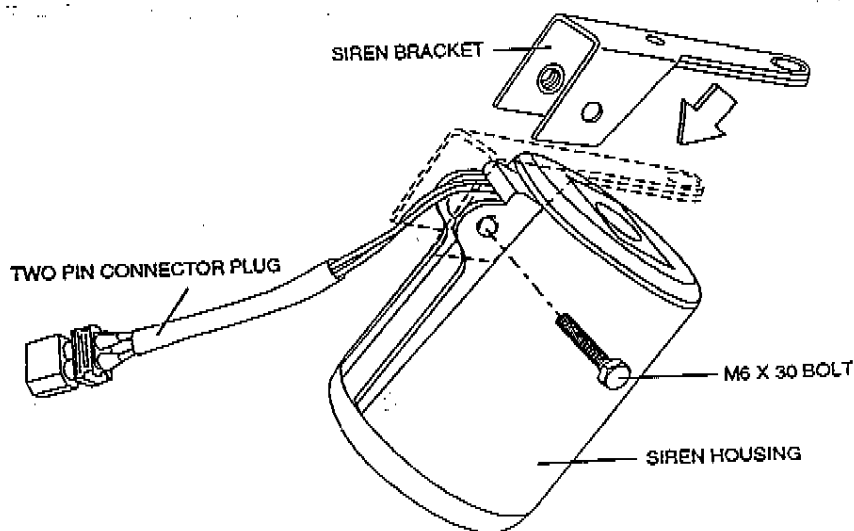


FIGURE 20

4. Use clip hole in the metal cross brace to locate and mount the siren with mounting bracket. Use M6 x 16 countersunk Philips head machine screw and locking flange nut (supplied in kit). Do not use any other mounting hardware as engine compartment hood clearance may be reduced resulting in damage to hood.
5. connect siren wire harness to prewired vehicle harness/connector (after removing protective cap).

NOTE: This siren wire harness/connector is routed out of the wire harness that provides the wiring to the right side headlights. Follow wiring from headlights back to wire harness and then follow right side wire harness to siren plug.

6. Carefully tie wrap and secure wire harness away from all moving parts and sharp edges.
7. Close engine compartment hood.

ALARM SYSTEM ADJUSTMENTS (All 3-Series models)

- *Glass Breakage Sensitivity DIP Switch*

The glass breakage sensitivity DIP switch is located inside the alarm control module and is accessible by removing the four screws securing the module halves together. See Figure 21.

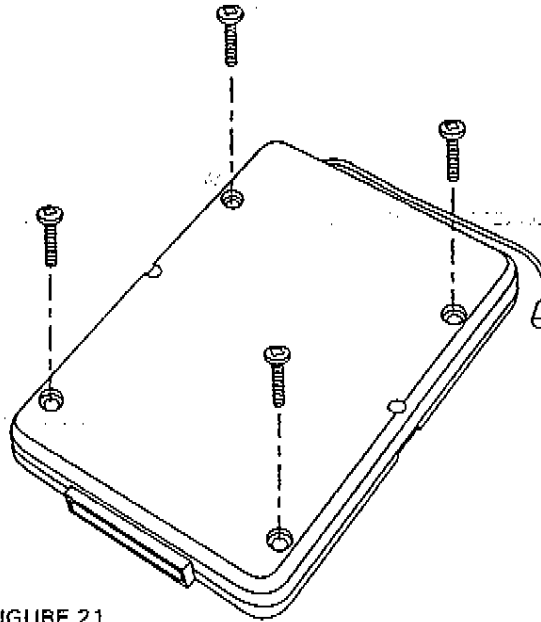


FIGURE 21

This DIP switch is initially factory pre-set at switch position(s) 1 "on", 2 "off" (mid sensitivity setting). See Figure 22.

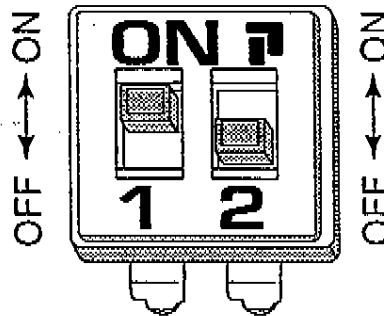


FIGURE 22

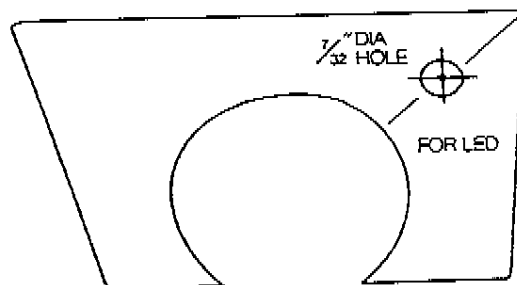
Sensitivity can be reset to one of four levels as follows:

<u>SENSITIVITY</u>	<u>SWITCH 1</u>	<u>SWITCH 2</u>
HIGH	OFF	OFF
MID	ON	OFF (Factory Pre-set)
LOW	OFF	ON
SUPER LOW	ON	ON

NOTE: When this alarm is installed in a 3 Series convertible or Z3 Roadster the alarm's sensitivity to noise is increased as a result of less sound insulation from the fabric convertible top. The glass breakage sensitivity dip switches can be reset to low or super low (depending on the severity of noisy environmental factors) prior to installing the alarm control module in the vehicle.

The following are recommended DIP switch setting positions for sensitivity:

<u>3 Series vehicle models</u>	<u>Sensitivity</u>
Z3 Roadster	MID
Convertible	MID
318ti	HIGH
2 Door, 4 Door	HIGH



318ti LED TEMPLATE

FINAL PROCEDURES (All 3-Series models)

1. After all systems check out as fully functional, route and wire tie cables and harnesses as neatly as possible. Check that alarm wiring does not interfere with other vehicle wiring or components.
2. Position the alarm fuse (10 Amp ATC blade type) in such a way that it is hidden from view but accessible for service.
3. Reinstall all parts and panels (glove box, housing, trim panels, knee bolster).
4. Place BMW vehicle security system decals on left and right side rear windows.
5. Place Owner's Manual in glove box.