

Original BMW Accessories. Installation Instructions.



Alarm Retrofit Kit

BMW 3 Series Sedan (E46/4)

BMW 3 Series Coupe (E46/2)

Vehicle must have alarm pre-wiring, which is 100% option for US spec vehicles.

Retrofit kit No. 65 73 9 416 520 Alarm Retrofit Kit

Installation time

The installation time is 1,0 hours, but this may vary depending on the condition of the car and the equipment in it.

Suggested installation time includes re-coding of the vehicle only for this retrofit kit. This time is based on a vehicle that is at the current software level and does not require any updates. Before installing this accessory into the vehicle, the vehicle should be connected to the DIS and checked for software updates. If updates are available the vehicle should be programmed prior to installing this accessory.

Please refer to SI B09 05 01 for latest BMW approved CIP Retrofit procedures.

Important information

To avoid unnecessary extra work and/or costs, if any installation or function problems occur, after a brief troubleshooting session (approx. 0.5 hours), contact the following:

- 1. Either your national sales company or your regional office or**
- 2. The Support team via the Aftersales Assistance Portal (ASAP) using the optional technical parts support application.**

Quote the VIN and the part number of the retrofit kit and provide a detailed description of the problem.

The instructions below are developed for BMW vehicles and are not to be compared to any other existing instructions for vehicles other than BMW. No methods other than those specified in this document are to be used for installation in BMW vehicles. Left and right are determined from the driver's seat.

Carefully read all instructions and supplements before proceeding with the installation. Reference should be made to TIS for instructions dealing with a stock part of the vehicle but not stated in detail in these instructions.

The instructions were complete and up to date at time of publication; however, changes to the vehicle or installation may have occurred. Please report any problems or changes noted with the installation to BMW Technical Hotline, along with VIN, date of manufacture and as much detail as possible.

Do not archive the hard copy of these installation instructions since daily updates are made by ASAP.

PARTS INFORMATION

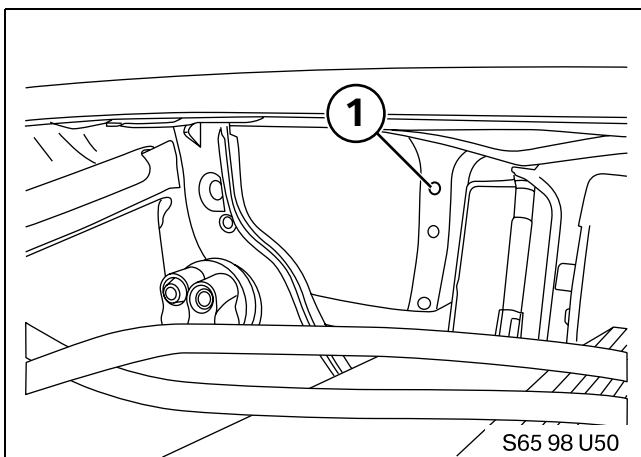
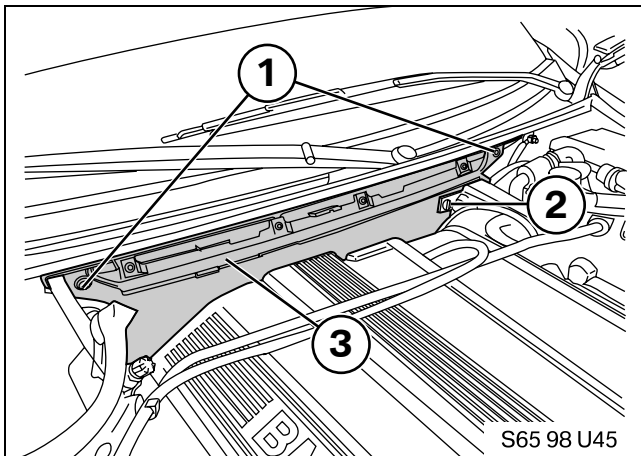
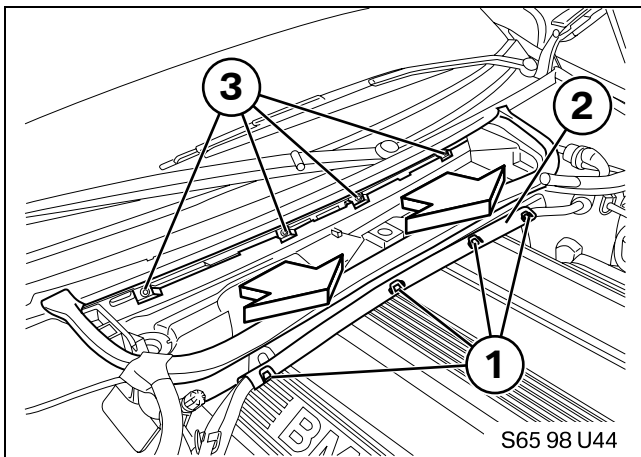
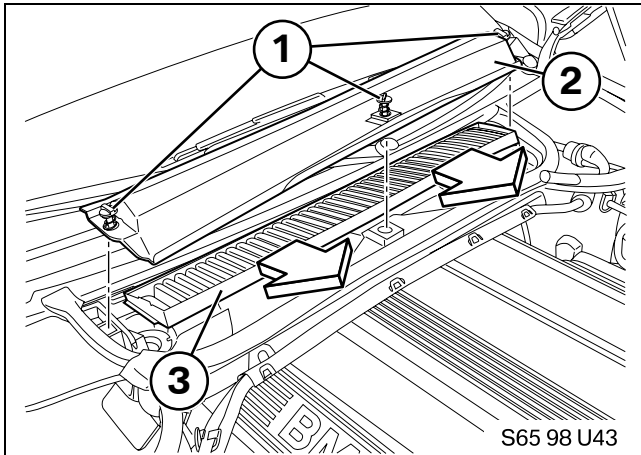
Contents of Kit – P/N 65 73 9 416 520

Description	Qty	BMW Part Number
M6 Hex nut w/captive flat washer	3	11 61 1 708 413
M6 x 16 mm Hex bolt w/captive flat washer	1	07 11 9 915 039
M6 Prestol-cage clip	1	32 41 1 095 443
5 Amp fuse	1	61 13 1 386 626
Siren bracket	1	65 75 8 377 290
Tilt sensor	1	65 75 6 923 215
Siren (USA)	1	65 75 8 383 153
Ultrasonic module	1	65 75 6 938 048

Contents

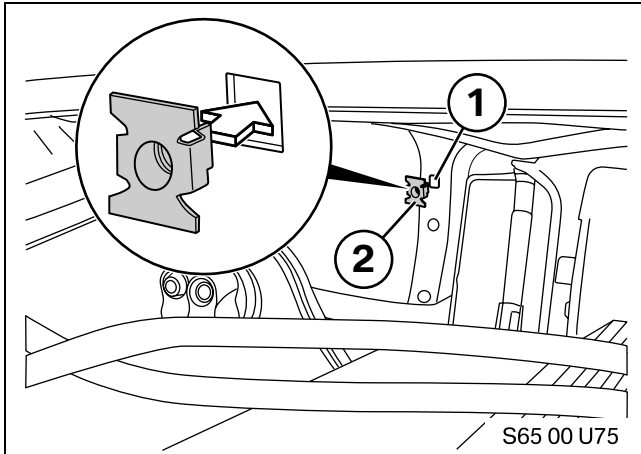
Section	Page
1. Siren Mounting	4
2. Inclination Sensor Mounting	6
3. Interior Module Mounting	7
4. Retrofit coding	8

1. Siren Mounting

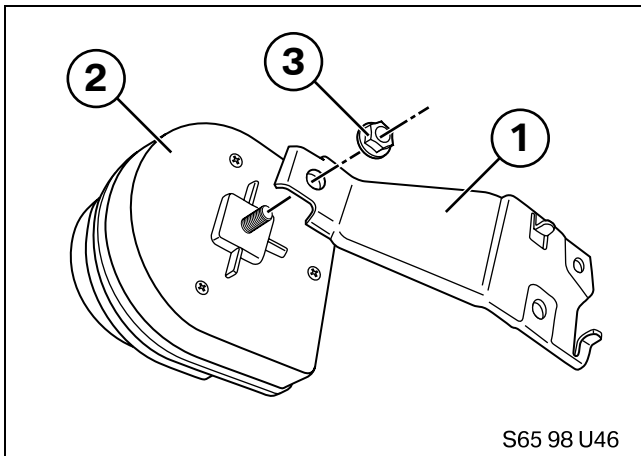


1. Disconnect negative battery terminal.
2. Release ($\frac{1}{4}$ turn) the three spring loaded fasteners (1) on grill cover (2).
3. Remove air collector (3).
4. Carefully pry up on the four upper retainers (1) and remove cable channel cover (2) from the cable channel.
5. Remove the wire harnesses from the harness channel
6. Loosen the four 30 Torx head captive bolts (3) and remove forward cowl panel.
7. Loosen the two 30 Torx head captive bolts (1) on rearward cowl panel (3).
8. Release ($\frac{1}{4}$ turn) plastic retainer (2) and remove from rearward cowl panel. It may be necessary to carefully pull forward/push rearward on the rearward cowl panel (3) to aid in the removal of this plastic retainer.
9. Look into the RH (passenger's side) area of firewall area (1) to determine mounting fastener requirements. If M6 threaded insert or M6 cage clip is already in place, proceed to step 11. If a square hole is in this location, proceed to step 10.

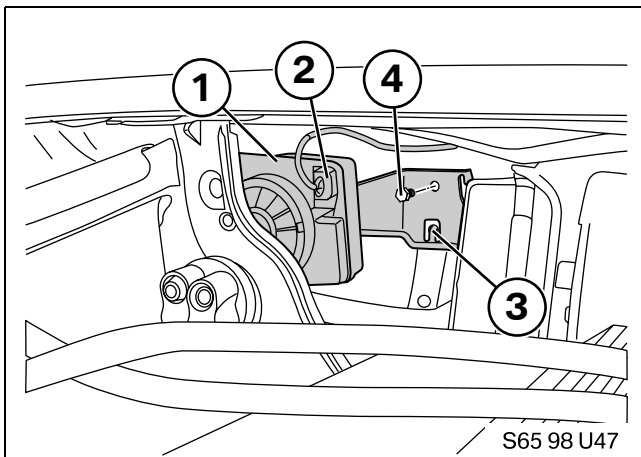
1. Siren Mounting



10. Insert cage clip nut (2) into square hole (1). Press firmly on cage clip until it is fully flush with mounting surface.



11. Assemble alarm siren (2) to mounting bracket (1) using M6 nut with captive flat washer (3).

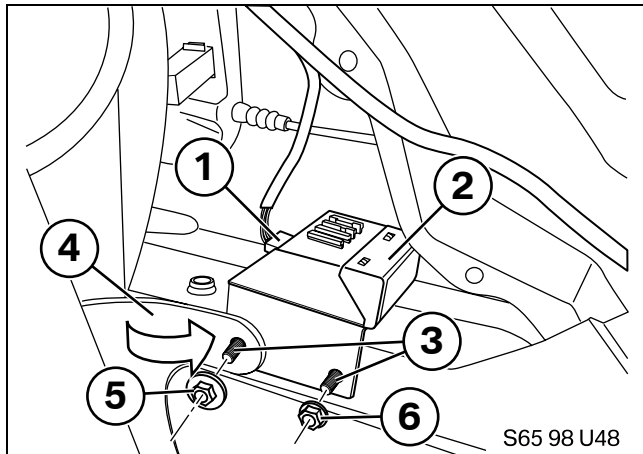


12. Locate and terminate 4-position alarm siren connector (2) to alarm siren (1).

13. Position alarm siren/mounting bracket assembly into mounting position utilizing the positioning tab (3) and secure alarm siren assembly in place with M6x16mm bolt with captive flat washer (4).

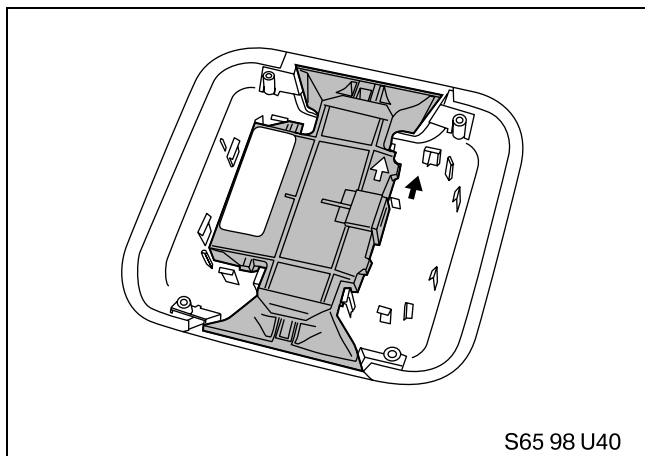
14. Re-assemble all displaced or previously removed parts.

2. Inclination Sensor Mounting



1. Remove cover end of emergency fuel filler flap release pull cord and let the cord pass through the access hole of the RH rear trunk panel.
2. Remove trunk trim panel retainer above the RR wheel well area. Partially remove the RH rear trunk panel enough to gain access where the two 6mm threaded studs are located for mounting of alarm inclination sensor.
3. Remove M6 nut (5) from the forward position M6 threaded stud and temporarily remove plastic trim piece (4) allowing free access to this threaded stud.
4. Mount inclination sensor/bracket assembly (2) over the two M6 threaded studs (3).
5. Reposition plastic trim piece (4) over forward threaded stud (item 3 forward) and secure the inclination sensor/bracket assembly in place with previously removed M6 hex nut with oversized captive washer (5) on the forward threaded stud.
6. Use supplied M6 hex nuts with captive washers (6) to secure inclination sensor/bracket assembly to rearward threaded stud (item 3 rearward).
7. Locate and terminate 6-position inclination sensor connector (1) to alarm inclination sensor.
8. Reassemble all displaced or previously removed items.

3. Interior Module Mounting



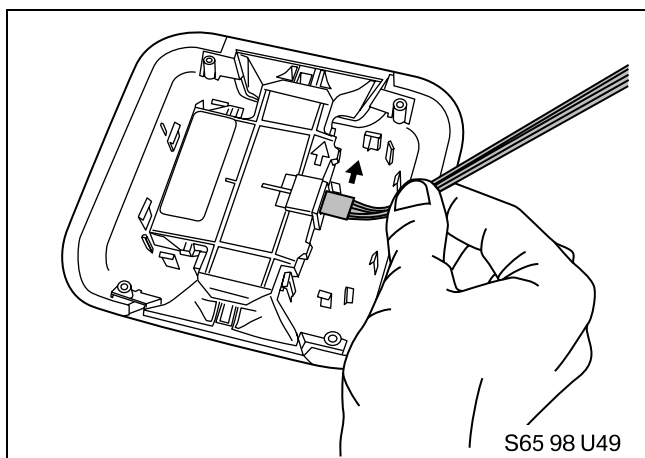
NOTE:

Before proceeding make sure hands are clean to prevent soiling of the headliner.

1. Mount the alarm module to the alarm module cover as shown.

NOTE:

The arrows indicated on the alarm module and alarm module cover must point in the same direction pointing toward the front of the vehicle.



2. Locate and terminate 4-position interior sensor connector to alarm module as shown.

3. Position alarm module/cover assembly so that the arrows are pointing forward and reattach the assembly to mounting frame in the headliner (the arrow on the mounting frame should also be pointing forward).

Installation Complete.

Proceed to Retrofit Coding.

4. Retrofit coding

CENTRAL CODING KEY (ZCS) PROCEDURE

When all of the above work has been completed, the retrofit anti-theft alarm system needs to be coded by using a DISPlus or GT-1. Coding is possible with Version C13.0 or later software.

NOTE: Failure to perform the Central Coding Key (ZCS) coding procedure will render anti-theft alarm system inoperative.

- "Reconnect battery negative terminal.
- "Connect vehicle to DISPlus or GT-1.
- "Turn ignition key of vehicle to position 2.
- "Select "CODING/PROGRAM" selection on the right side of the DIS Tester screen.
- "Select "3 ZCS/FA CODING" followed by the RH green arrow.
- "The following informational screen will appear "Coding by means of Central Coding Key (ZCS) / Vehicle Order (VO) Version Cxx.0".
- "Select the RH green arrow.
- "The following informational screen will appear "IMPORTANT: With coding by means of the ZCS/VO, the changes made using the CAR/KEY MEMORY program can be overwritten. These are to be reset as required.
- "Select the RH green arrow.
- "Select "7 E46 Series" followed by the RH green arrow.
- "Select "2 Retrofit" followed by the RH green arrow.
- "The following informational screen will appear "Important! After successful completion of retrofitting the control unit must additionally be added in the diagnosis under "Service functions, body, Electronic immobilizer, Enter retrofit". Select the RH green arrow.
- "Select "2 Anti-theft alarm system" followed by the RH green arrow.
- "The following informational screen will appear "Retrofit anti-theft alarm system. Refer to installation instructions from the installation set!" Select the RH green arrow.
- "The "GM V" screen will appear. Select "2 Without steady signal" followed by the RH green arrow.
- "The "Activation/deactivation of DWA via:" screen will appear. Select "1 Remote control or door lock" followed by the RH green arrow.
- "The following informational screen will appear "The anti-theft alarm is coded with emergency power siren and interior protection." Select the RH green arrow.
- "The following informational screen will appear "The anti-theft alarm is coded with emergency power siren and interior protection" Select the RH green arrow.
- "The following informational screen will appear "GM V is recoded and the vehicle order in KOMBI automatically changed. Select the RH green arrow.
- "The following screen will appear "GM V Start automatic coding?" Select "Yes"
- "The following informational screen will appear "Vehicle order saved for printout Coding completed!"
- "Turn ignition off. Wait for 10 seconds. Turn ignition on again and carry out functional check.
- "The following informational screen will appear "GM V Vehicle order has been changed! New central label required! Vehicle order: Model series: E46 Type des. Code: Time criterion: Paint code: Upholstery code: Assbly. No.: Select down green arrow. The vehicle SA code order will appear.
- "Select down green arrow again to show the remaining vehicle SA code order. Code 302 should appear at the end of the vehicle code order. Select down green arrow.
- "Turn ignition key off for 10 seconds, then turn ignition key to position 2.
- "Turn ignition key off and remove key from ignition.
- "Close all doors.
- "Upon completion of anti-theft system retrofit coding conduct functional test of alarm system.