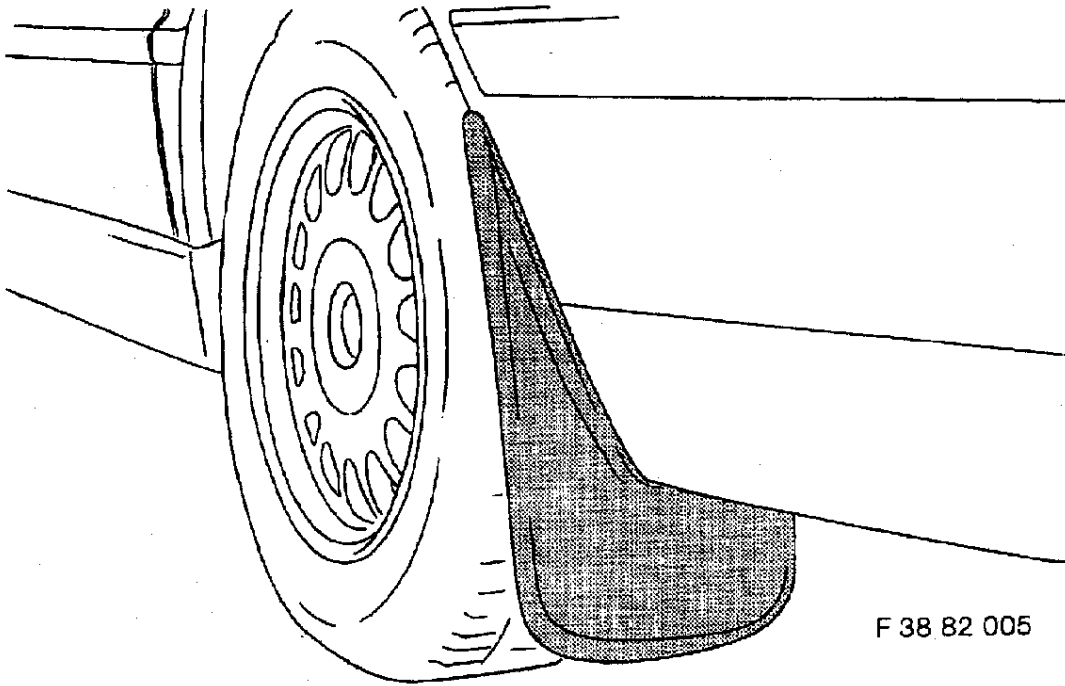


715219



Zubehör - Einbauanleitung



F 38 82 005

Installation Instructions

Rear Mud Flap
BMW 7 Series E38

Rear Mud Flap BMW 7 Series E38

Installation time approx. 10 minutes which can vary depending on the condition and equipment of the vehicle.

The installation procedure is shown on the right-hand side of the vehicle. Installation on the left-hand side of the vehicle takes place in the same order but mirror-inverted.

Necessary Tools

Screwdriver for slotted screws
Multigrip pliers

F 38 82 006

With the aid of a screwdriver, lever out expanding pin (1) in rear wheel well trim panel.
Remove body rivet (2) from wheel well trim panel.

Note

Clean place of installation before installing mud flap.

F 38 82 007

Position mud flap exactly in place of installation.
Fit body rivet (1) through hole (2) of mud flap and into wheel well trim panel. Fit expanding pin (3) in body rivet (1) as far as it will go.

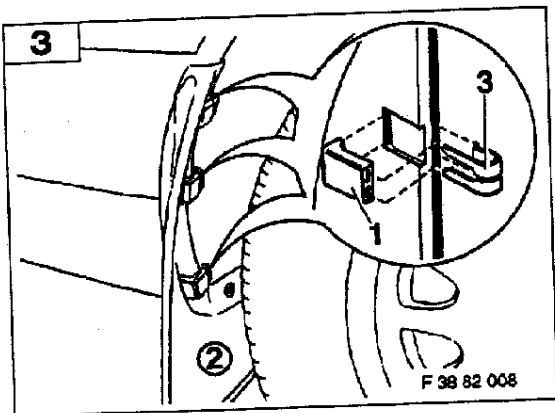
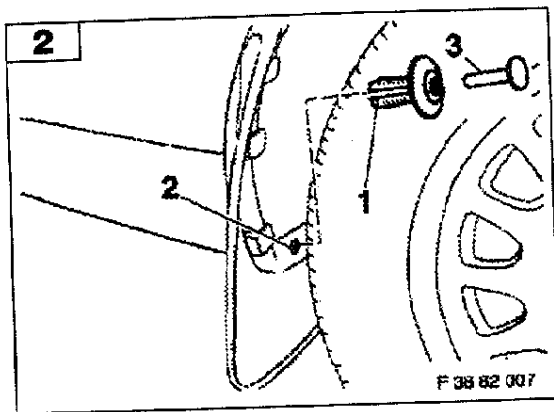
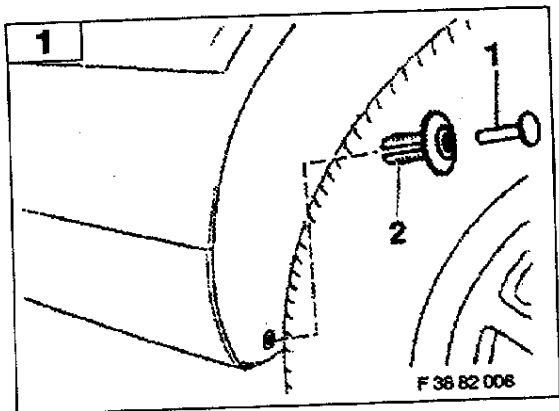
F 38 82 008

Fit socket parts (1) in recesses of mud flap (2).

Note

Fit the short socket part in the topmost of the three recesses.

Pull retaining clip (3) with multigrip pliers over fold of mud flap and into socket part until retaining clip can be felt to engage in position.
Check that retaining clip (3) is firmly fitted.



5

4

6

7

8