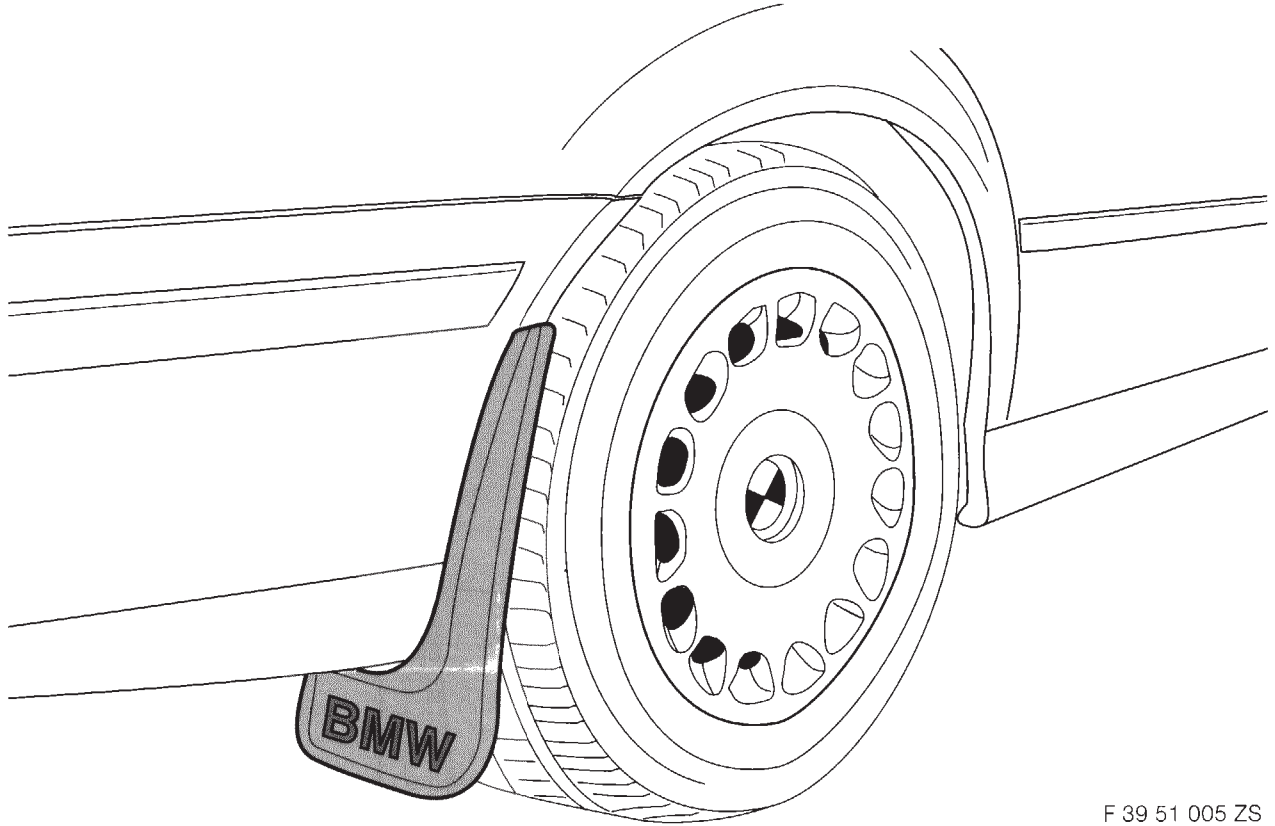




Teile und Zubehör - Einbauanleitung



F 39 51 005 ZS

Accessory installation instructions

Splash guard rear
BMW 5 Series E39

Splash guard rear BMW 5 Series E39

The installation is illustrated for the right-hand side of the vehicle. Installation on the left-hand side of the vehicle is made in the same sequence but as a mirror image.

Tools required

Phillips screwdriver
Water pump pliers
Drilling machine
Drill $\varnothing = 2.5$ mm

Note

For easier installation of the splash guards you recommended to remove the wheels. For the removal and replacement of the rear wheels please consult the owner's handbook for the vehicle. Before installing the splash guard, clean the installation site.

F 39 51 006 ZS

Position the splash guard (2) precisely on the installation site. Insert the rebate parts (1) into the recesses of the splash guard (2). With the water pump pliers push the hooked parts (3) over the bumper edge into the rebate part (1), until the retaining bracket perceptibly engages.

F 39 51 007 ZS

Through the existing drill holes (1) of the splash guard (2) drill ($\varnothing = 2.5$ mm) into the wheel arch shell and fasten with screw (3).

Check the splash guard, as well as mounting clips and screws, for firm seating.

