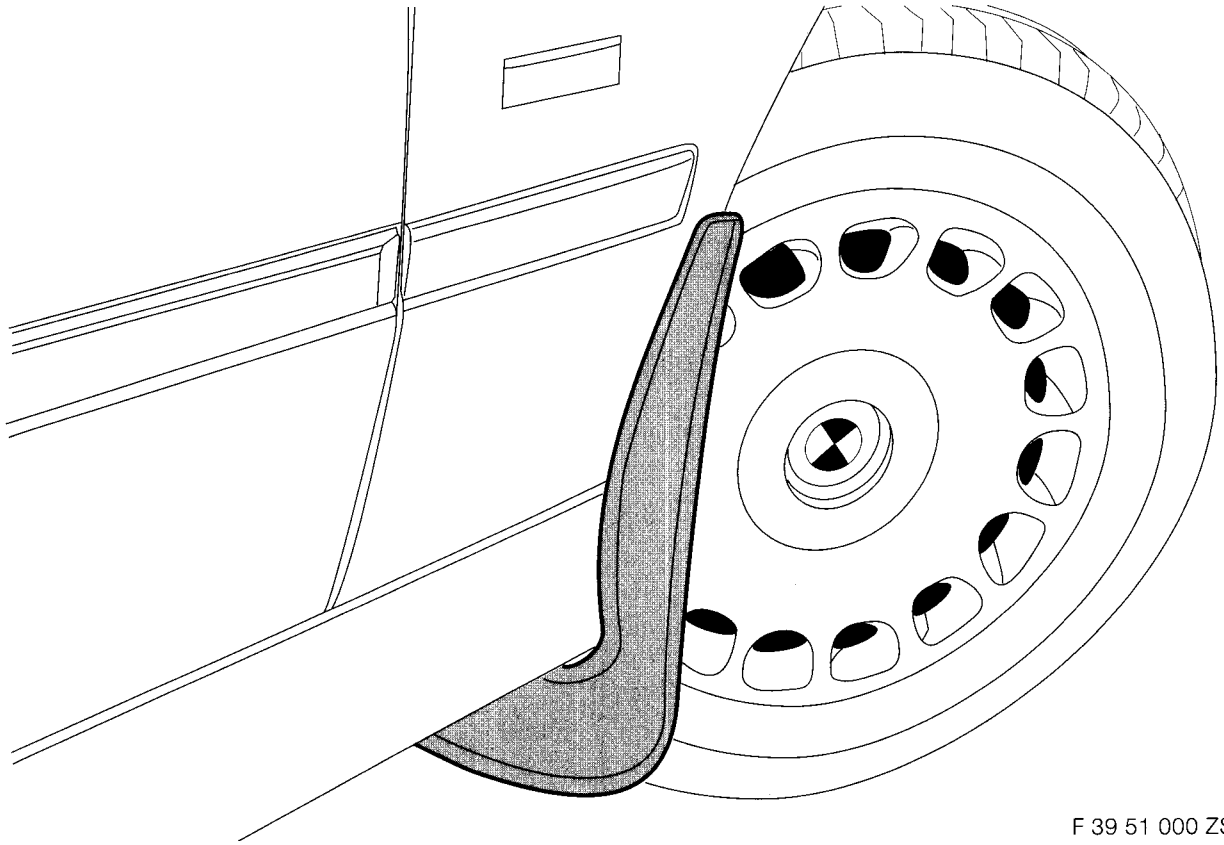




Teile und Zubehör - Einbauanleitung



F 39 51 000 ZS

Accessory installation instructions

Splash guard front
BMW 5 Series E39

Splash guard front BMW 5 Series E39

The installation is illustrated for the right-hand side of the vehicle. Installation on the left side of the vehicle is made in the same sequence but as a mirror image.

Tools required

Slot-head screwdriver
1/4 inch reversible ratchet
1/4 inch extension
1/4 inch socket wrench insert SW 8mm
Drift pin $\varnothing = 3$ mm
Hammer

Note

Before installing the splash guard, the place of installation must be cleaned.

F 39 51 001 ZS

Remove screws (1) and expanding rivets (2).

F 39 51 002 ZS

With the screwdriver (2) raise the wheel arch shell (1) somewhat and put the two speed nuts (3) on to the edge of the side panel (4).

F 39 51 003 ZS

Position the splash guard (1) precisely on the installation site and screw home with the screws (2).

F 39 51 004 ZS

With screw (2) screw home the splash guard (1) on to the underbody.
Check the splash guard (1) for firm seating.

