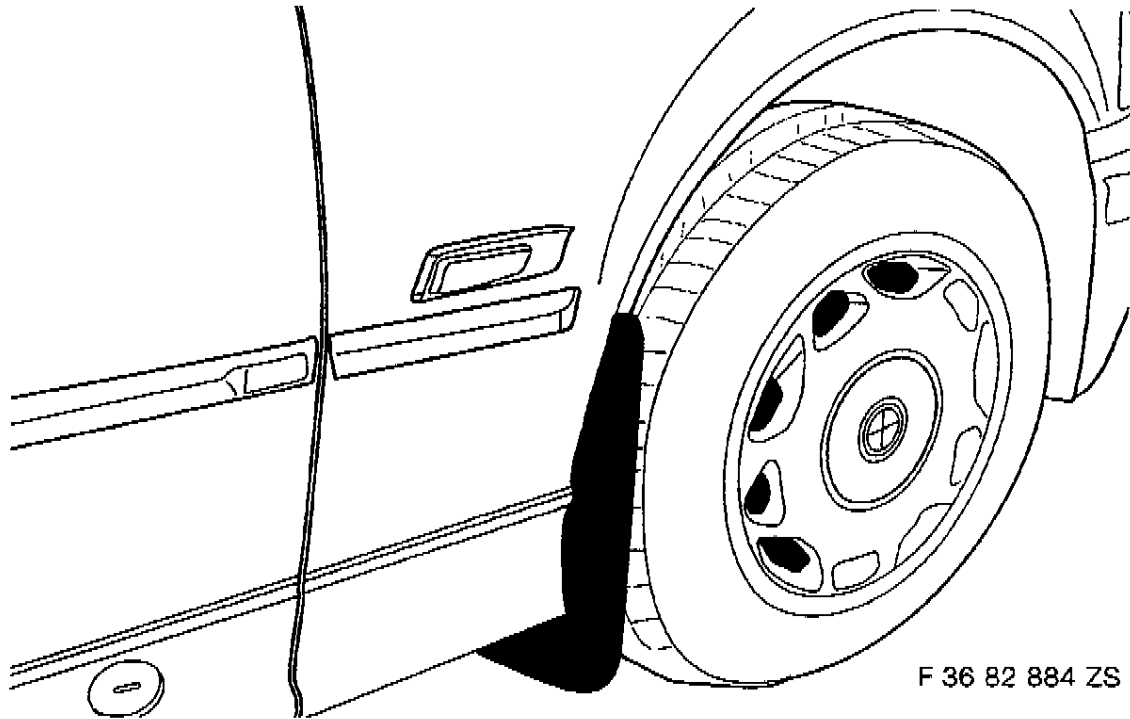




Teile und Zubehör - Einbauanleitung



Accessories - Installation Instruction
Splashguard, front
BMW 3 Series

Splashguard, front BMW 3 Series

Installation time approx. 0.5 hours, which can vary according to the condition and fittings of the vehicle.

Attachment of the splashguard is shown for the right-hand side of the vehicle. Attachment to the left-hand side of the vehicle is done as a mirror image.

Required tools

Carpet knife (for vehicles from 4.96 onwards)
Offset ring spanner SW 8-9 mm
Water pump pliers

Attach front splashguard

Before the splashguard is fitted, the place of attachment should be cleaned.
Turn front wheels until the steering locks.

Only vehicles from 4.96 onwards

F 36 82 885 ZS

Trim wheel-arch covering (1) using a carpet knife to become flush with the bottom edge of the sill (arrow).

All vehicles

F 36 82 886 ZS

Remove screw (1).

Note

Screw is no longer required.

Caution

This concerns vehicles with special edge protective strips:

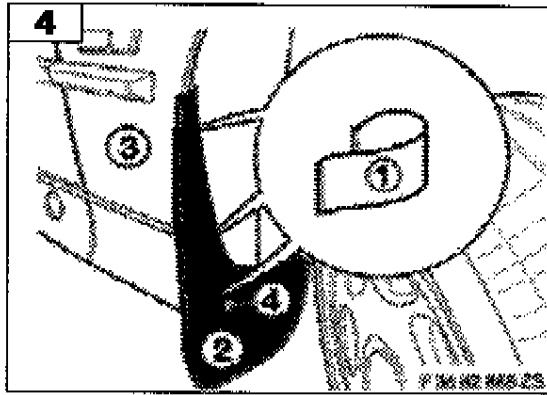
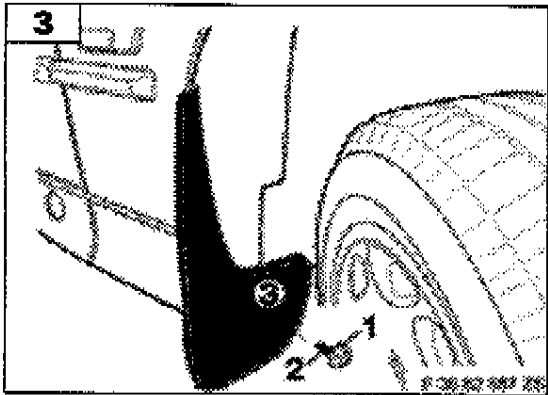
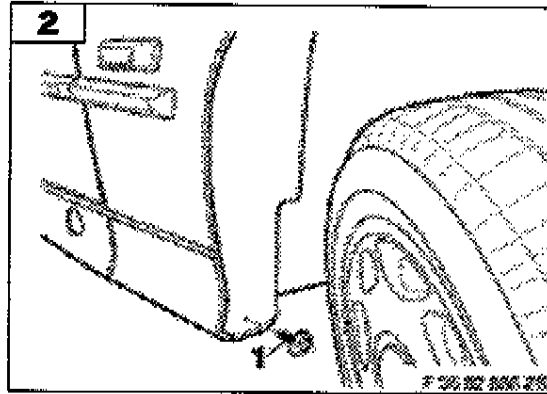
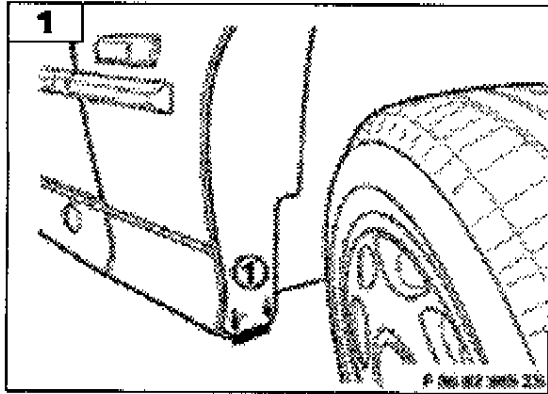
Pull away the rubber seal on the wheel-arch side panels in the mounting area of the splashguard and shorten it. (If necessary disassemble wheel-arch trim panel).

F 36 82 887 ZS

Take washer (1) and screw (2) from the parts kit. Hold splashguard (3) against mounting place and hand tighten screw (2).

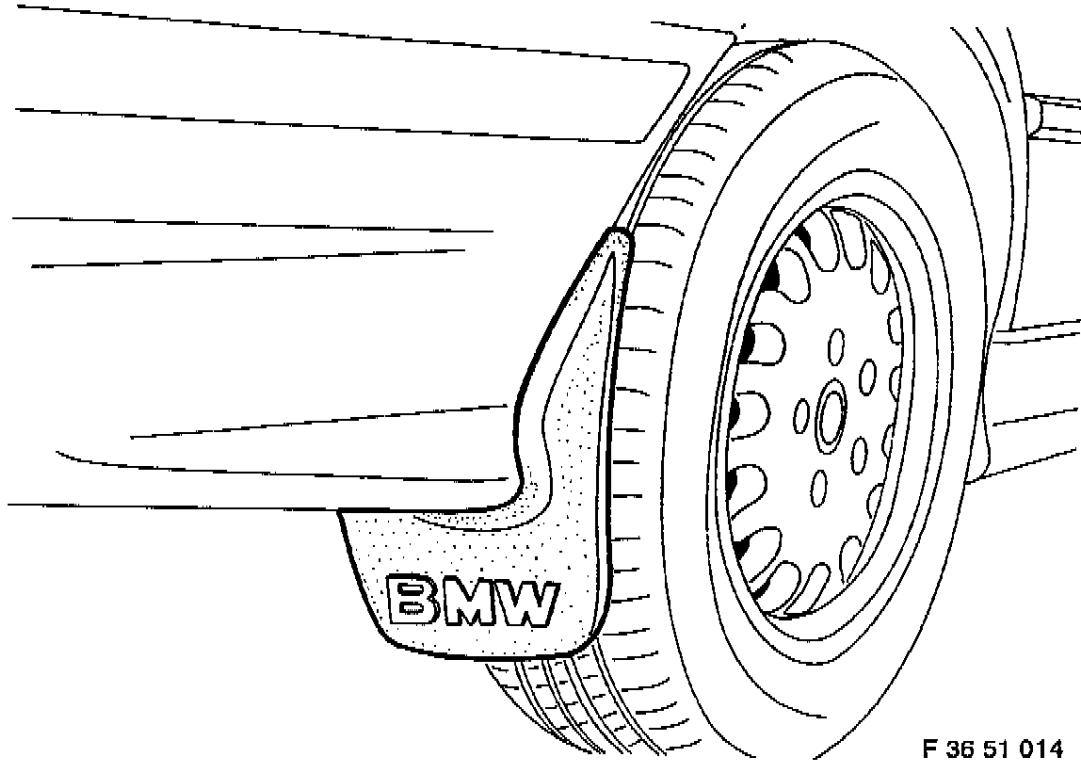
F 36 82 888 ZS

Push retaining clips (1) into the notches on the splashguard (2) and over the folded edge of the side panel (3). Adjust splashguard (2) to the contours of the side panel (3) and tighten screw (4).





Teile und Zubehör - Einbauanleitung



F 36 51 014

Installation Instructions

Rear Mud Flaps
BMW 3 Series E 36

Rear Mud Flaps BMW 3 Series E 36

Installation of the mud flap is shown for the right of the vehicle. Installation for the left of the vehicle is the same as in the mirror image.

Required Tools

10 mm ring spanner
8 - 9 mm right-angled ring spanner
Gripping pliers

Preparation for Installation of Mud Flap

F 36 51 083

Before installing the mud flap, clean the area of installation. Release split pins (1) in rear wheelhouse with a slot screwdriver. Remove split clips (2) from wheelhouse panelling (3).

Note

Split pins (1) and split clips (2) are no longer needed.

F 36 51 090

Take sheet-metal nut (1) from installation kit and insert on wheelhouse at prestamped position (2) as indicated by arrow.

F 36 51 016

Secure retaining clip (4) as shown together with washer (3) and hexagon nut (2) to mud flap (5) and tighten by hand.

Installation of Mud Flap

F 34 51 015

Place retaining clip (4) on wheelhouse cover (3). Insert split clip (2) through hole in mud flap (5) into wheelhouse panelling (3). Press split pin (1) into split clip (2). Secure mud flap (5) with the sheet-metal screw (6). Secure nut of retaining clip (4).

F 36 51 018

Insert sleeve elements (8) into recesses in mud flap (5). Push retaining clip (9) with gripping pliers over the bumper rim into sleeve element until it snaps into place. Check that retaining pin (9) is secure.

