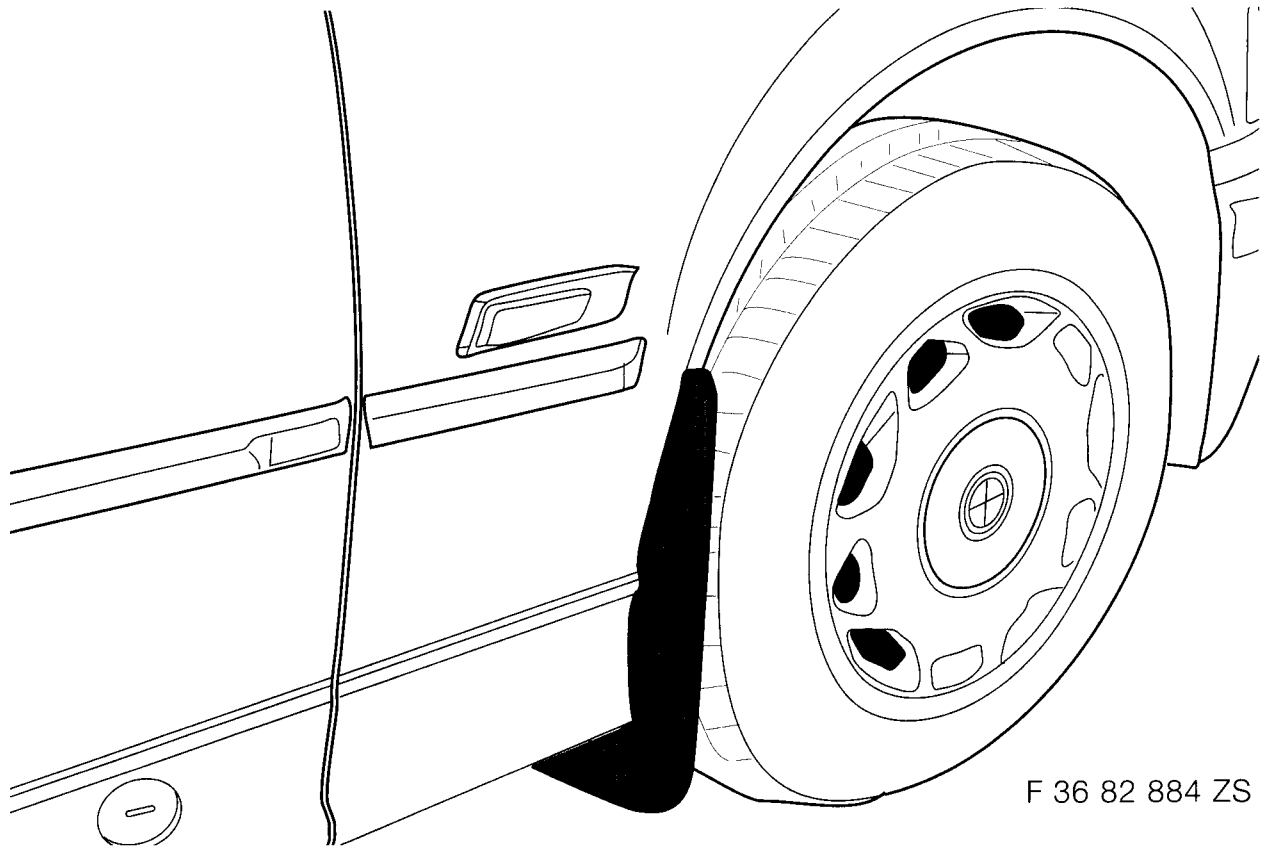




# Teile und Zubehör - Einbauanleitung



## Accessories - Installation Instruction

Splashguard, front  
BMW 3 Series

## Splashguard, front BMW 3 Series

---

Installation time approx. 0.5 hours, which can vary according to the condition and fittings of the vehicle.

Attachment of the splashguard is shown for the right-hand side of the vehicle. Attachment to the left-hand side of the vehicle is done as a mirror image.

### Required tools

Carpet knife (for vehicles from 4.96 onwards)  
Offset ring spanner SW 8-9 mm  
Water pump pliers

### Attach front splashguard

Before the splashguard is fitted, the place of attachment should be cleaned.  
Turn front wheels until the steering locks.

### Only vehicles from 4.96 onwards

#### F 36 82 885 ZS

Trim wheel-arch covering (1) using a carpet knife to become flush with the bottom edge of the sill (arrow).

### All vehicles

#### F 36 82 886 ZS

Remove screw (1).

#### Note

Screw is no longer required.

#### Caution

This concerns vehicles with special edge protective strips:  
Pull away the rubber seal on the wheel-arch side panels in the mounting area of the splashguard and shorten it. (If necessary disassemble wheel-arch trim panel).

#### F 36 82 887 ZS

Take washer (1) and screw (2) from the parts kit. Hold splashguard (3) against mounting place and hand tighten screw (2).

#### F 36 82 888 ZS

Push retaining clips (1) into the notches on the splashguard (2) and over the folded edge of the side panel (3). Adjust splashguard (2) to the contours of the side panel (3) and tighten screw (4).

