



**BAVARIAN AUTOSPORT**

# E36 Clear or Smoke Parking Lights Installation Instructions

**SAFETY WARNING:** Be sure the ignition switch is in the **OFF** position before removing or attaching any electrical connectors.

**NOTE:** The european lens units may come with a single filament bulb holder and single filament amber bulb already installed. These are not to be used. They should be removed and discarded.

## 3 Series

92 thru 97

### PART NUMBER:

E36 2PCLR

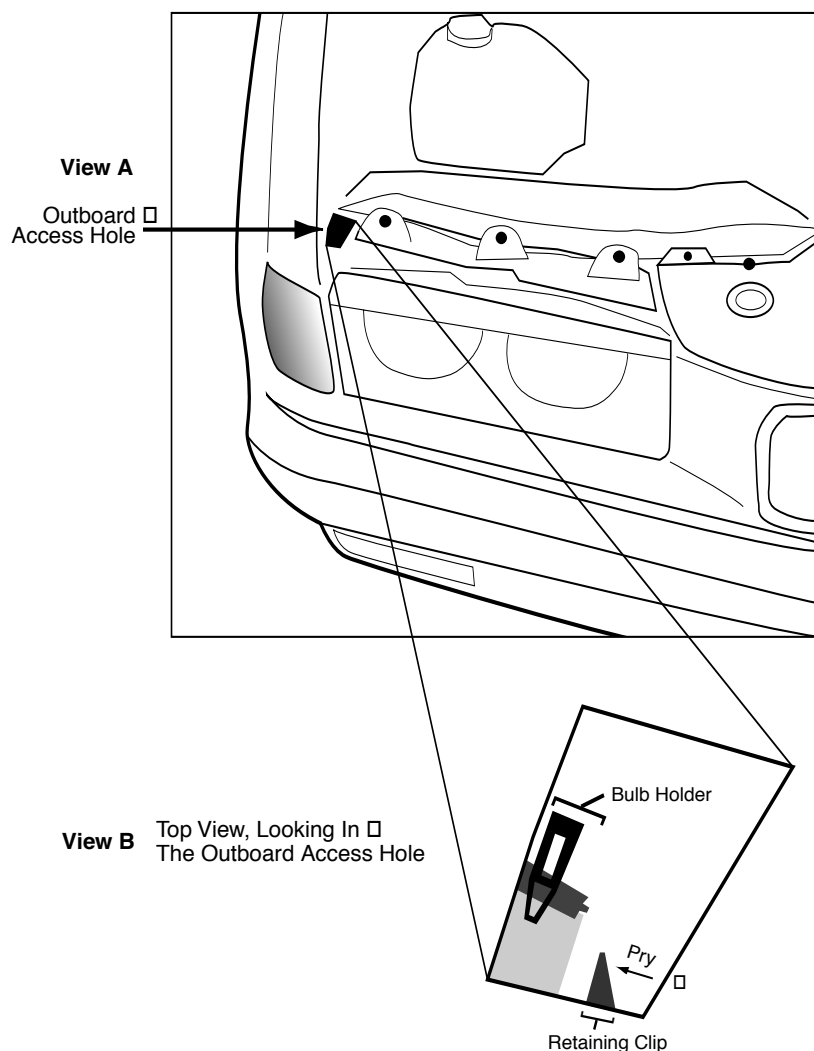
E36 2PSMK

E36 PCLR

E36 PSМК

### PROCEDURE:

1. Open the engine hood and remove the parking light by inserting a screwdriver down through the outboard access hole (see View A) at the front outer corner next to the headlight assembly. Pry the retaining clip (see View B) toward the outside of the car while pushing the light out from behind. When the light is pulled forward, disconnect the bulb holder (see View B) from the light housing by squeezing the clip-tabs and pulling it out.
2. Remove the bulb holders from the new lens assemblies and discard them.
3. Install the new amber dual filament bulbs into the original parking light bulb holders on the car, in place of the dual filament bulbs.
4. Install the original bulb holder, with new amber bulb, into the new lens unit. Be sure the two snap clips are secure.
5. Install the new light assembly by inserting it back into the vehicle. Gently push it in until you hear the retaining clip snap twice and the unit is fully seated.



**BAVARIAN**  
autosport

Call Toll Free: **1.800.535.2002**