

VIN: L738027

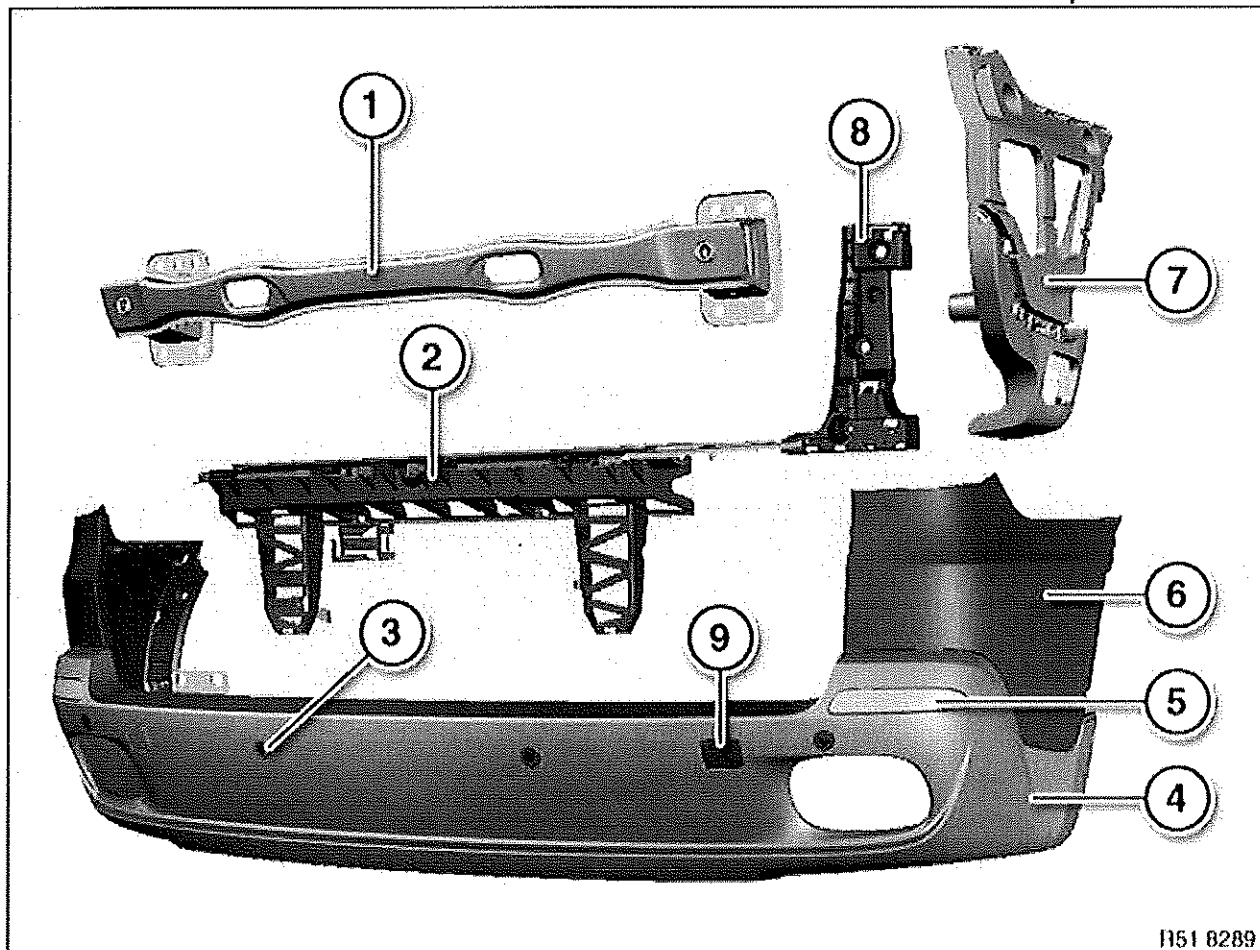
Vehicle: X' / E70 / off-road vehicle / X5 35i / N55 / AUT / USA left-hand drive / 2010 / 10

System version: 2.23.6

Data version: 2.23.1

51 12 ..

Overview of rear bumper



1151 8289

- | | |
|--------------------------------|------------------------------|
| 1 <u>Carrier, rear</u> | 6 <u>Bumper side section</u> |
| 2 <u>Guide, middle</u> | 7 <u>Holder, side</u> |
| 3 <u>Ultrasonic transducer</u> | 8 <u>Guide, side</u> |

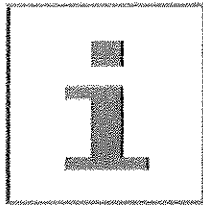
VIN: L738027

Vehicle: X' / E70 / off-road vehicle / X5 35i / N55 / AUT / USA left-hand drive / 2010 / 10

System version: 2.23.6

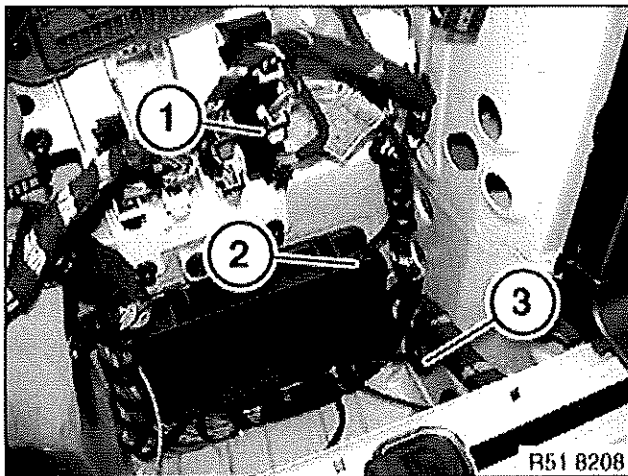
Data version: 2.23.1

51 12 156

Removing and installing
rear bumper trim

Necessary preliminary tasks:

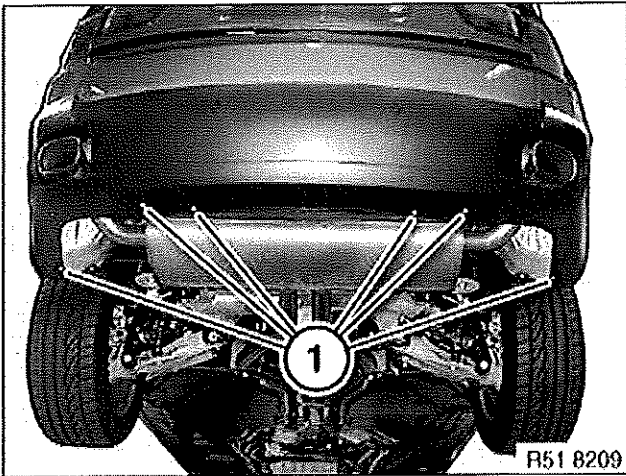
- Remove rear reflector on left/right
- Partially detach rear wheel arch trim

Version with Park Distance Control (PDC):Remove storage compartment in luggage compartment on right.

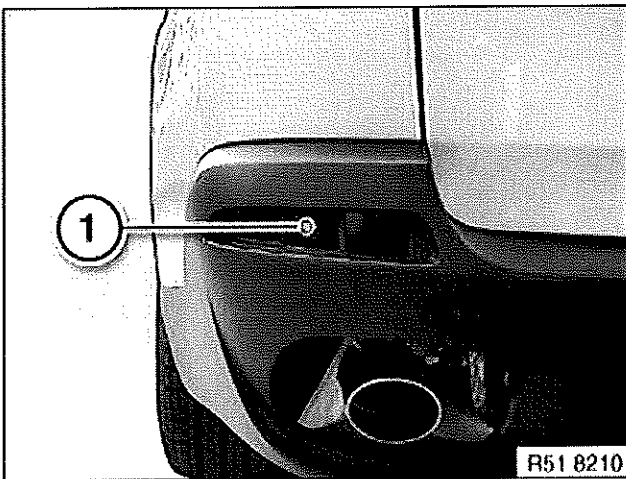
Disconnect plug connection (1).

Feed through cable (2) with grommet (3) in outward direction.

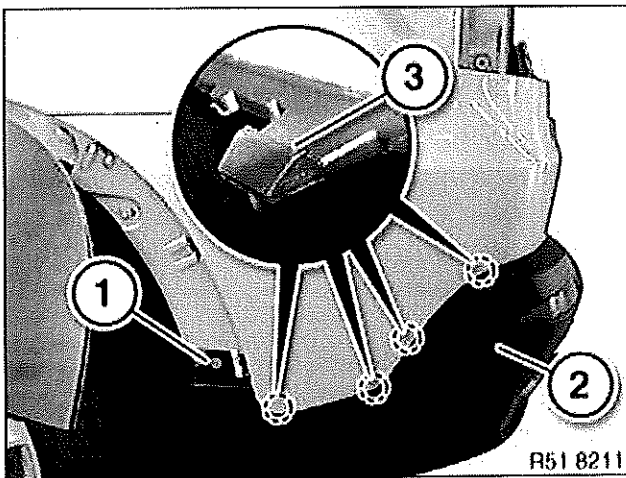
Release screws (1).



Release screws (1) on left and right.

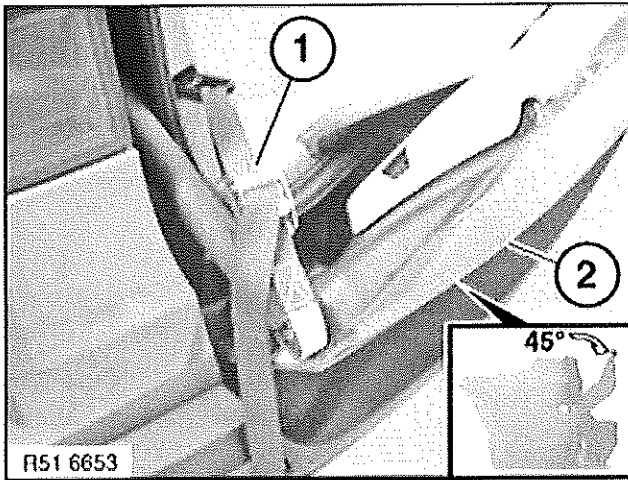


Release screw (1).
Release bumper trim (2) at catches (3).

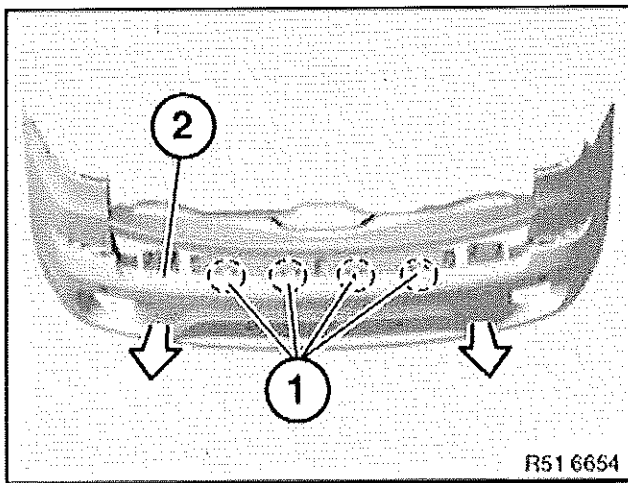


LCI and M models only:

Open rear lid lower section (2) through 45° and



secure in this position with tensioning strap (1).



Release catches (1) and with a 2nd person helping pull bumper trim (2) towards rear out of catches (1) and remove.

Installation:

Bumper trim (2) must be correctly fed in at catches (1).

VIN: L738027

Vehicle: X' / E70 / off-road vehicle / X5 35i / N55 / AUT / USA left-hand drive / 2010 / 10

System version: 2.23.6

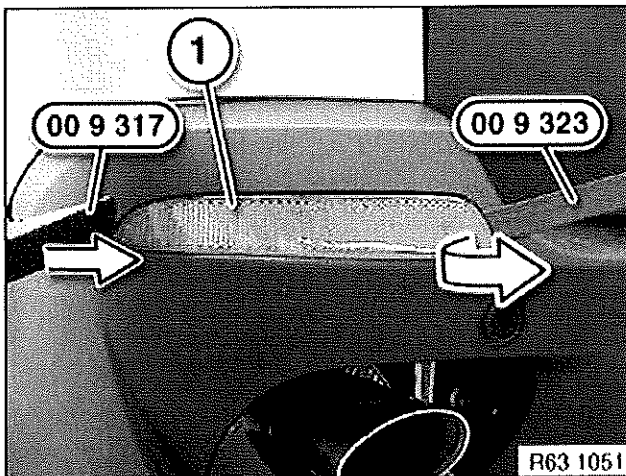
Data version: 2.23.1

63 14 120

Removing and
installing/replacing rear
reflector

Special tools required:

- 00 9 317
- 00 9 323



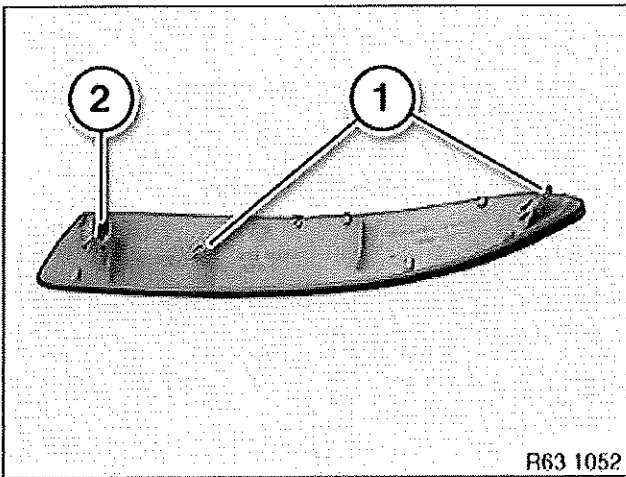
Unclip rear reflector (1) with special tool 00 9 323 on right side and press inwards with special tool 00 9 317.

Remove rear reflector (1) towards rear from rear bumper trim.

Installation:

Catches (1) on rear reflector must not be damaged.

If necessary, replace faulty retainer (2).



VIN: L738027

Vehicle: X' / E70 / off-road vehicle / X5 35i / N55 / AUT / USA left-hand drive / 2010 / 10

System version: 2.23.6

Data version: 2.23.1

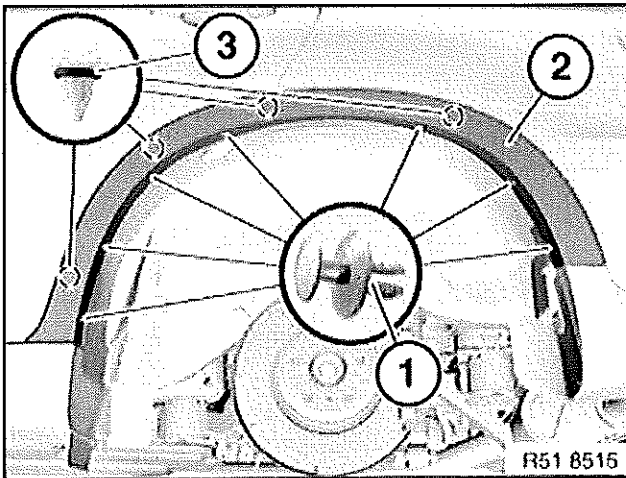
51 71 478

Removing and
installing/replacing trim
on rear left or right
wheel arch



Special tools required:

- 00 2 230



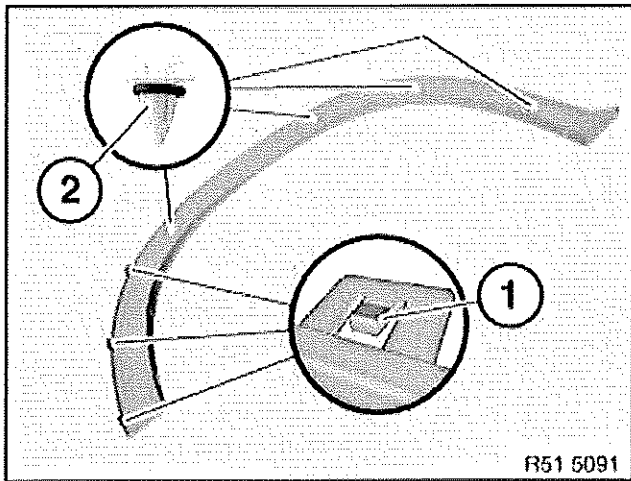
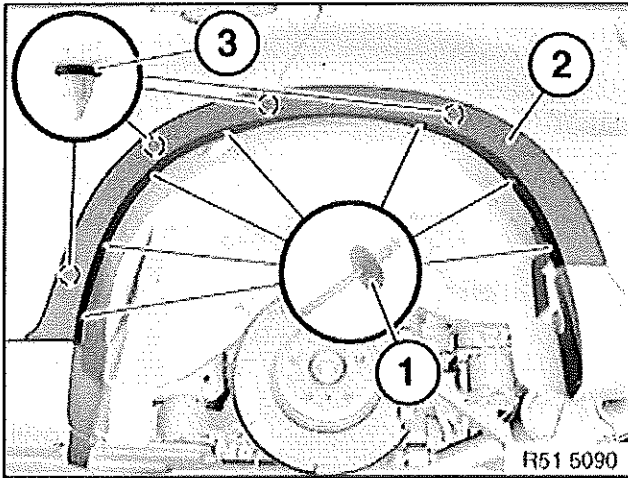
Open rivets (1) (E70: Blind rivets; E71:
expanding rivets).

Release trim (2) at clip (3) (not on E71) and
remove.

Note on installation (E70):

Apply blind rivets (1) with special tool 00 2 230.

Ensure trim (2) is correctly seated.



Installation:

Catches (1) must not be damaged.

If necessary, replace faulty clips (2) (not on E71).

Fit clips (2) with sealing ring.