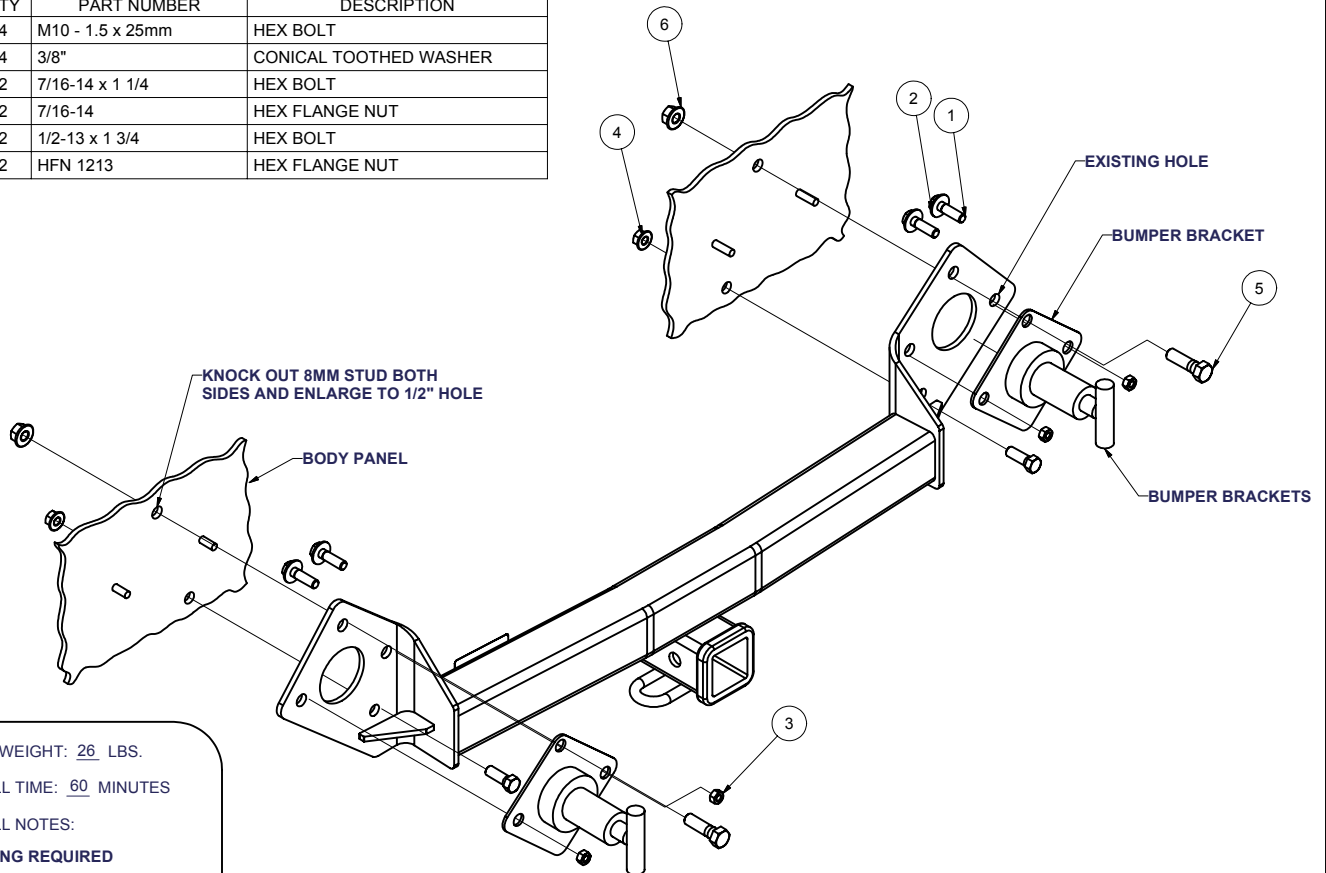


7/3/2007

GROSS LOAD CAPACITY WHEN USED AS A WEIGHT CARRYING HITCH: 5,000 LBS. TRAILER WEIGHT & 500 LBS. TONGUE WEIGHT.
*****DO NOT EXCEED VEHICLE MANUFACTURER'S RECOMMENDED TOWING CAPACITY.*****

Parts List			
ITEM	QTY	PART NUMBER	DESCRIPTION
1	4	M10 - 1.5 x 25mm	HEX BOLT
2	4	3/8"	CONICAL TOOTHED WASHER
3	2	7/16-14 x 1 1/4	HEX BOLT
4	2	7/16-14	HEX FLANGE NUT
5	2	1/2-13 x 1 3/4	HEX BOLT
6	2	HFN 1213	HEX FLANGE NUT



HITCH WEIGHT: 26 LBS.

INSTALL TIME: 60 MINUTES

INSTALL NOTES:

DRILLING REQUIRED

INSTALLATION STEPS

- 1) Remove fascia screws located at wheel wells and a vertical bolt (Torx T-55 socket) at each tubular bumper bracket above exhaust tips. Remove three screws (four clips on later models) securing lower fascia near center. Small fascia "window" panel will be removed for hitch receiver.
- 2) Left and right interior panels along with three plastic "trays" must be temporarily removed for bumper bracket fastener removal and frame rail access inside the rear of the vehicle.
- 3) Remove both bumper brackets (three 8mm nuts) and bumper carrier by removing (10) Torx T-50 fasteners. Bumper carrier (black steel cross member) is not reinstalled.
- 4) Hitch is installed in place of bumper carrier. Secure hitch in place by installing a bolt in the bottom of each mounting plate. Remove top 8mm studs (only) for bumper bracket flanges (knock out with hammer). Enlarge these holes for 1/2" diameter bolts.
- 5) Reinstall bumper brackets over hitch and secure with hardware as shown. Add fasteners inside vehicle to join existing stiffener plate to frame rails. Secure any wires that may come in contact with hitch to vehicle. (Trim fascia knock out to provide clearance for receiver.)
- 6) Torque 7/16" hardware to 50 lb.-ft., 1/2" hardware to 75 lb.-ft, M8 hardware to 17 lb.-ft., and M10 hardware to 34 lb.-ft. Replace bumper fascia and interior items. Return unused items to owner.

PERIODICALLY CHECK THIS RECEIVER HITCH TO ENSURE THAT ALL FASTENERS ARE TIGHT AND THAT ALL STRUCTURAL COMPONENTS ARE SOUND.