



Installation Instructions

Universal Accessories, Auxiliary Input

Page 1 of 4
January 2004
Accessory
Development

SUBJECT

AUXILIARY AUDIO INPUT KIT - P/N 82 11 0 153 367

MODELS

MINI Cooper (R50): Vehicle Production 09/2002 - On
MINI Cooper S (R53): Vehicle Production 09/2002 - On

These instructions were developed especially for MINI vehicles and are not to be compared to any existing instructions for vehicles other than MINI. No methods other than those specified in this document are to be used to install this Auxiliary Audio Input adapter in MINI vehicles.

SUGGESTED INSTALLATION TIME: 0.5 Hours

PARTS INFORMATION

Contents of Kit – P/N 82 11 0 153 367

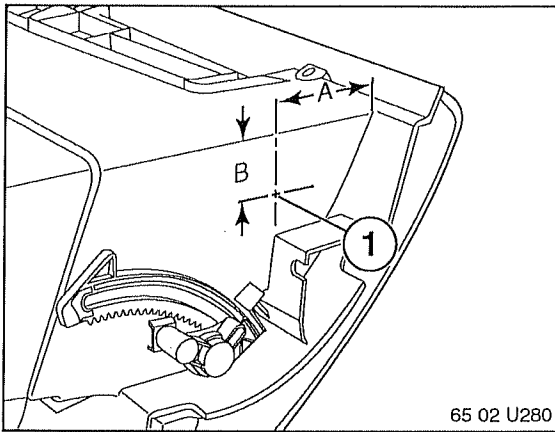
Description	QTY	MINI Part Number
AUX Audio Cable (MINI)	1	N/A
Faceplate	1	N/A
Mounting Screws	2	65 12 6 919 475
Cable ties (3mm x 104mm)	3	N/A

★★ DO IT RIGHT THE FIRST TIME, ON TIME, EVERY TIME ★★

Installation Instructions P/N 01 29 0 309 667

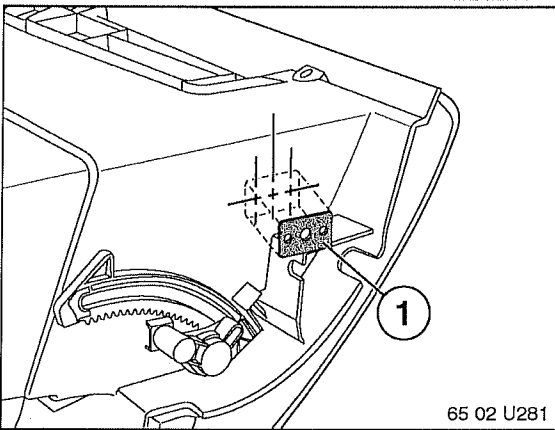
MINI, a division of BMW of North America, LLC

© 2004 BMW of North America, LLC

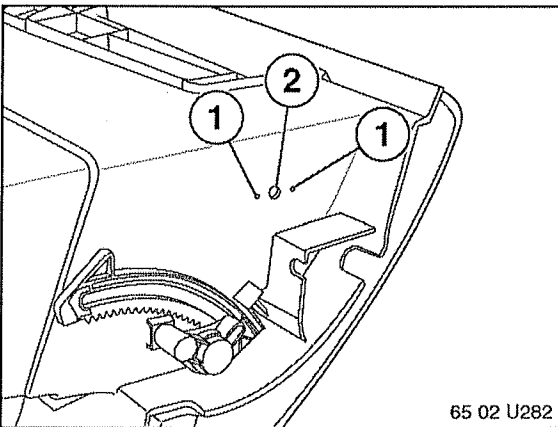
PROCEDURE:

1. Remove radio from center console per instructions found in TIS. (REF #65 11 030)
2. Remove glovebox assembly. (REF #51 16 360)
3. On Left side of glovebox assembly locate and mark this point (1).

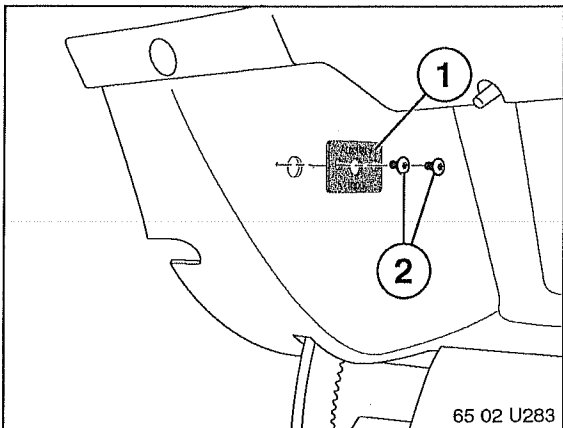
A = 60 mm
B = 30 mm



4. Using Auxiliary Input faceplate (1) as a template, line up center hole of faceplate against point marked in step 3.
5. Mark the center point of the 2 outer holes.

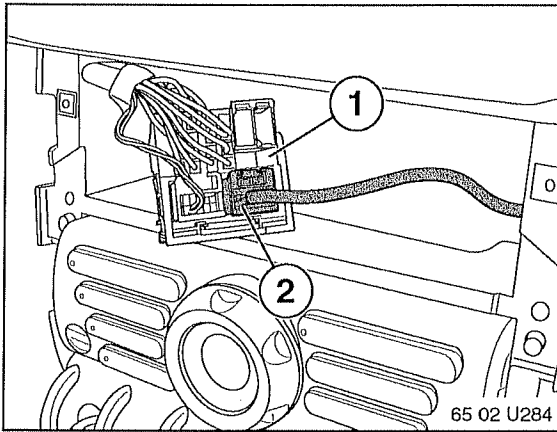


6. Drill 2mm holes in locations (1)&(2).
7. Expand center hole (2) with a 10mm drill bit.

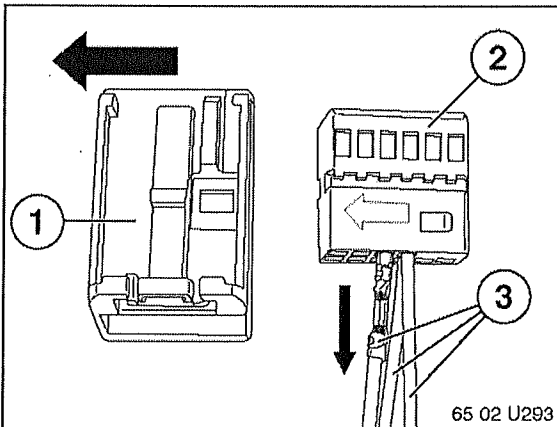


8. Mount Auxiliary Input faceplate (1) to interior of glovebox using provided screws (2).

3



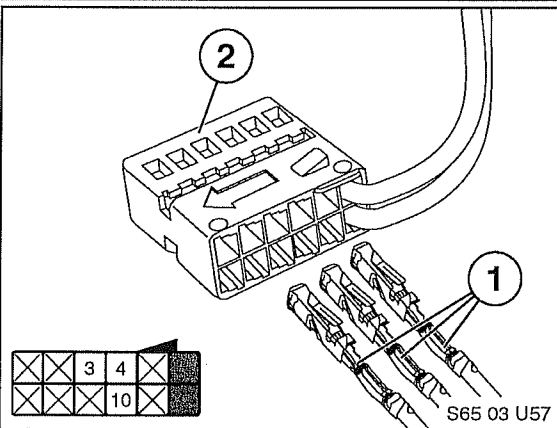
9. Locate main radio harness connector (1) and insert Auxiliary Input Connector (2) into location as shown.



If radio harness already contains black 12-pin connector, please perform additional Steps 10 & 11

10. Remove black housing (1) from Auxiliary Input Connector (2). Remove 3 terminals (3) from connector (2) by pushing in metal tangs on terminals with pin removal tool and pulling terminals out of connector.

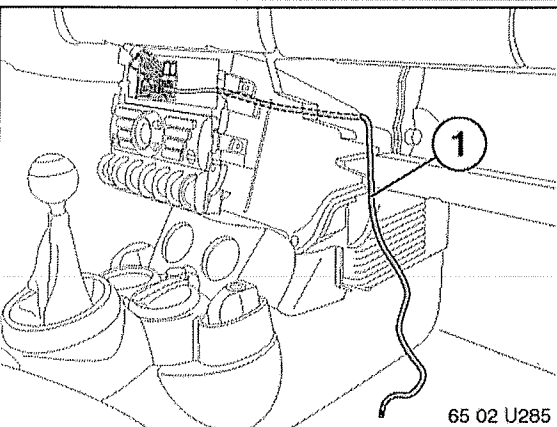
Note: Take care not to damage these terminals as they will be reused.



11. Remove black 12-pin connector from radio harness and remove black housing. Insert the 3 terminals (1) from Auxiliary adapter cable into existing 12-pin connector (2) in shown locations (marked on connector).

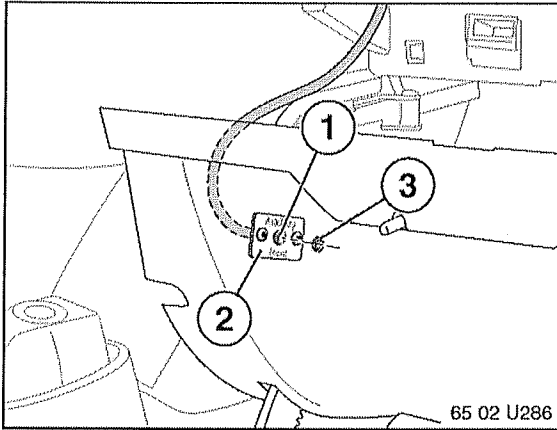
**White/Red - Slot 3
White/Blue - Slot 4
White/Brown - Slot 10**

Re-install black housing onto 12-pin connector, then re-insert into radio harness connector.



12. Feed Auxiliary Input Cable into center console.

13. Route Auxiliary Input Cable (1) down through center console to shown position.



4

14. Insert Audio Jack (1) into faceplate (2) and secure with provided nut (3).
15. Re-install glovebox assembly, removing slack from cable by pulling excess through radio mounting cavity. Secure excess cable below radio mounting location.

Caution: Please ensure that there is enough slack in Aux Input cable for safe removal of radio.

16. Re-install radio and all components removed during installation.
17. Installation is complete. Test operation of system. Turn radio ON. Press "MODE" button on radio until "AUX" mode is displayed.