



Installation Instructions

Universal Accessories, Auxiliary Input

Page 1 of 4

January 2004

Accessory
Development

SUBJECT

Auxiliary Audio Input Kit - P/N 82 11 0 149 389

MODEL

3-Series (E46): Vehicle Production 09/02 – On
with In-dash CD and without Navigation

SUGGESTED INSTALLATION TIME: 0.5 Hours

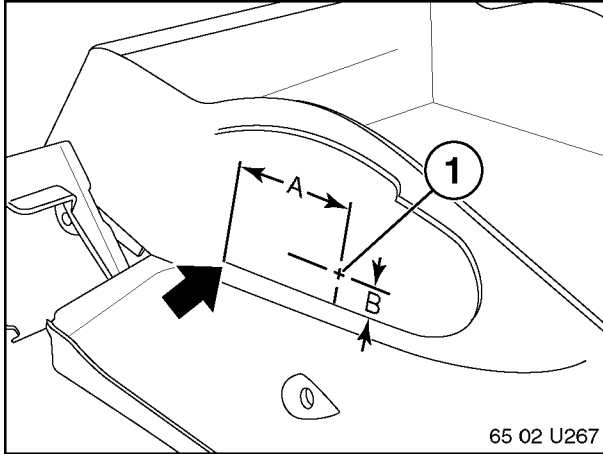
These instructions were developed especially for BMW vehicles and are not to be compared to any existing instructions for vehicles other than BMW. No methods other than those specified in this document are to be used to install this Auxiliary Audio Input adapter in BMW 3 Series vehicles.

PARTS INFORMATION

Contents of Kit – P/N 82 11 0 149 389

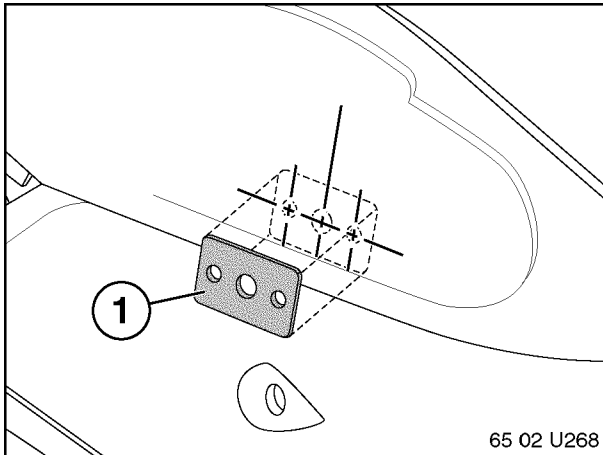
Description	QTY	BMW Part Number
AUX Audio Cable (E46)	1	N/A
Faceplate	1	N/A
Mounting Screws	2	65 12 6 919 475
Cable ties (3mm x 104mm)	3	N/A

★ ★ DO IT RIGHT THE FIRST TIME, ON TIME, EVERY TIME ★ ★

Procedure:

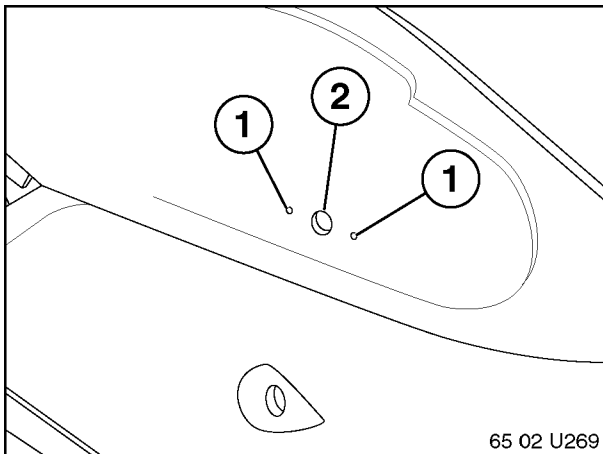
65 02 U267

1. Remove radio from center console.
(REF #65 11 030)
2. Remove glovebox assembly.
3. Locate rearward-most point of indentation on left side of glovebox (indicated by black arrow). This will be your starting point. Measure distance A to the right, then distance B up. Mark this position (1).

A = 55mm**B = 10 mm**

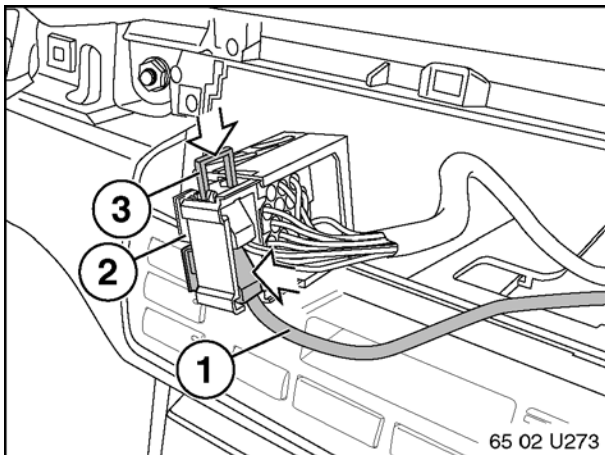
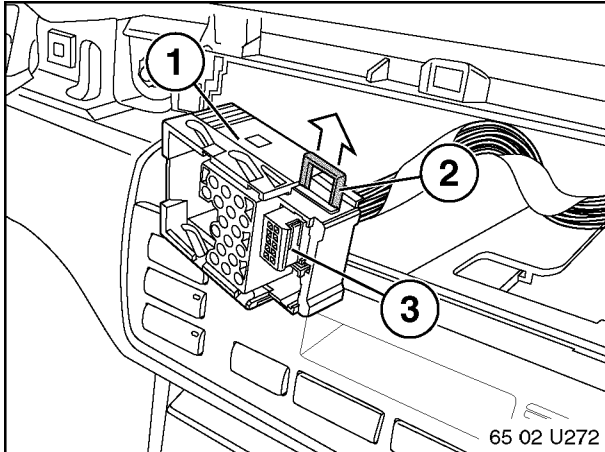
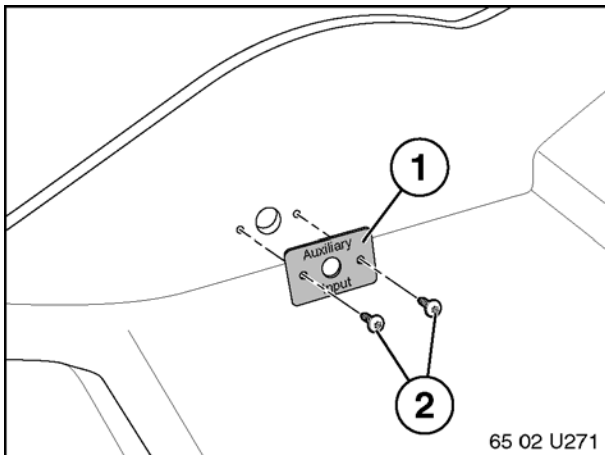
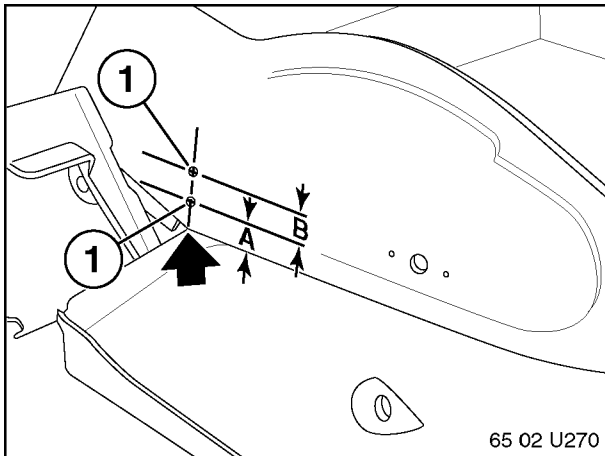
65 02 U268

4. Using provided faceplate (1) as a template, center faceplate over marked position. Mark center point of 2 outer holes.



65 02 U269

5. Drill 2mm hole into 3 marked positions (1&2).
6. With a 10mm drill bit expand center hole (2).



7. Locate position indicated by black arrow.
8. Measure to position A and mark position.
9. Measure to position B and mark position.

A = 10 mm

B = 10 mm

10. Drill 3mm holes in marked positions (1).

11. Mount faceplate (1) to interior of glovebox with provided screws (2).

12. Locate Radio Harness in center console (1).

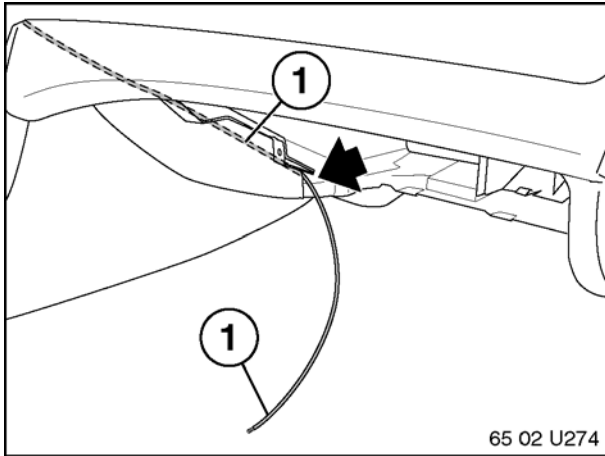
13. Remove blue locking clip (2).

14. Remove Black connector (3).

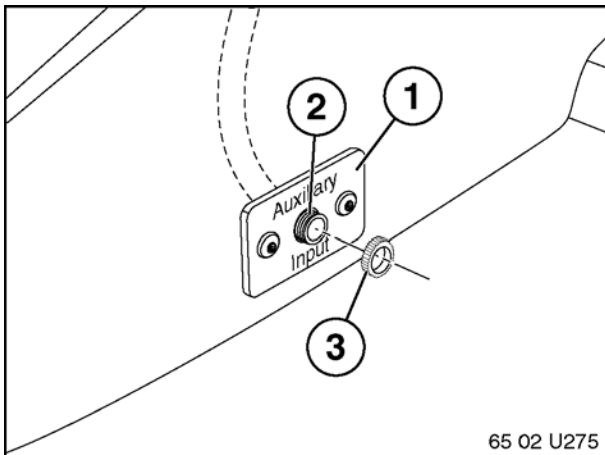
15. Insert Gray Auxiliary Input Connector (1) into right-hand slot (viewed from rear of radio).

16. Insert Black connector (2) into left-hand slot (viewed from rear of radio).

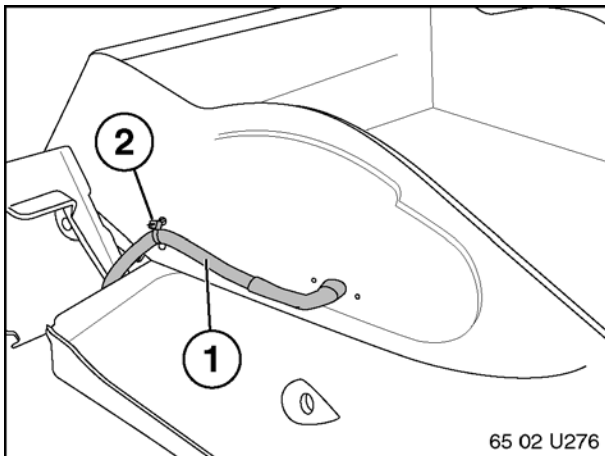
17. Reinstall blue locking clip (3).



18. Route Auxiliary Input Cable (1) down interior of dashboard through position indicated by black arrow.



19. Return glovebox to vehicle. Insert Audio Jack (2) into faceplate (1) and secure with provided nut (3).



20. Secure Auxiliary Input Cable (1) to side of glovebox by routing cable tie through holes (2). Remove excess material from cable tie

Caution: Do not put extreme tension on Auxiliary Input Cable or damage may result.

21. Reinstall glovebox assembly, removing slack from cable by pulling excess through radio mounting cavity. Secure excess cable behind radio.

Caution: Please ensure that there is enough slack in Aux Input cable for safe removal of radio.

22. Re-install radio and all components removed during installation.

23. Installation is complete. Test operation of system. Turn radio ON. Press "MODE" button on radio until "AUX" mode is displayed.