



Installation Instructions

Page 1 of 7

June 2006

Audio, CD Changer

Ver 2.0

Accessory
Development

These instructions supercede all previous versions.

SUBJECT

CD CHANGER RETROFIT KIT - P/N 65 12 0 409 351

MODEL

3 Series Sedan (E90): Select Vehicle Production 03/05 – On*
3 Series Coupe (E92): Select Vehicle Production 06/06 – On*

* Vehicle must have optional CD changer pre-wiring (SA 694), which is 100% option for US spec vehicles.

SUGGESTED INSTALLATION TIME: 1.0 HOURS**

** Suggested installation time includes re-coding of the vehicle only for this retrofit kit. This time is based on a vehicle that is at the current software level and does not require any updates. Before installing this accessory into the vehicle, the vehicle should be connected to the DIS and checked for software updates. If updates are available the vehicle should be programmed prior to installing this accessory.

Please refer to SI B09 05 01 for latest BMW approved Retrofit coding procedures.

The instructions below are developed for BMW vehicles and are not be compared to any other existing instructions for vehicles other than BMW. No methods other than those specified in this document are to be used for installation in BMW vehicles. Left and right are determined from driver's seat.

Carefully read all instructions and supplements before proceeding with the installation. Reference should be made to TIS for instructions dealing with a stock part of the vehicle but not stated in detail in these instructions.

The instructions were complete and up to date at time of publication; however, changes to the vehicle or installation may have occurred. Please report any problems or changes noted with the installation to BMW Technical Hotline, along with VIN, date of manufacture and as much detail as possible.

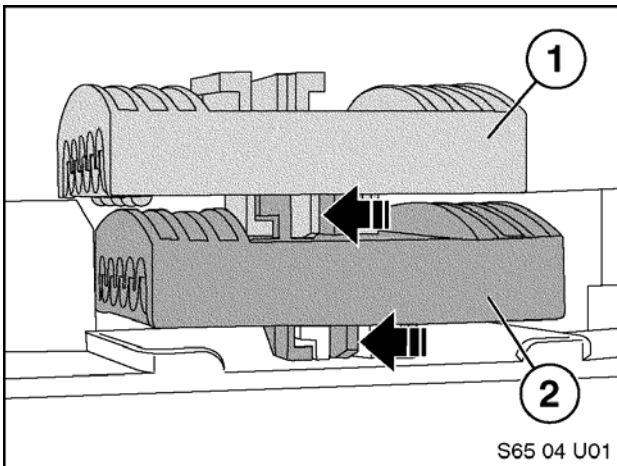
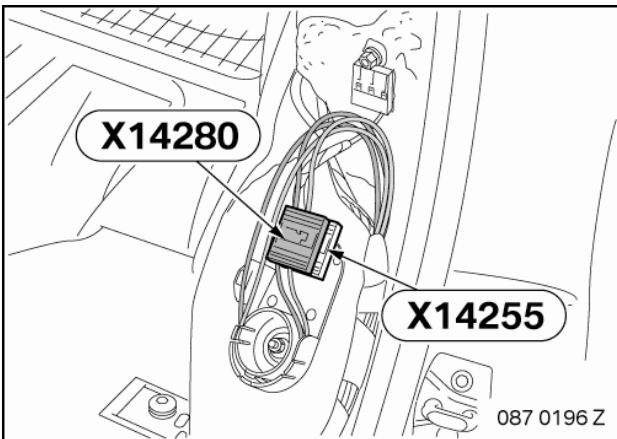
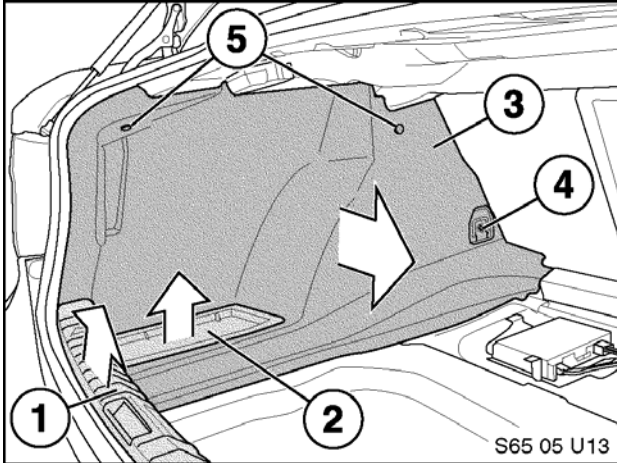
★ ★ DO IT RIGHT THE FIRST TIME, ON TIME, EVERY TIME ★ ★

PARTS INFORMATION**Contents of Kit - P/N 65 12 0 409 351**

Description	Qty	BMW Part Number
Bracket	1	65 15 6 945 073
Body Nut	4	61 13 1 372 033
Hex Bolt	4	07 11 9 902 932
Screw	4	07 11 9 904 307
Storage Pocket	1	51 47 7 139 051

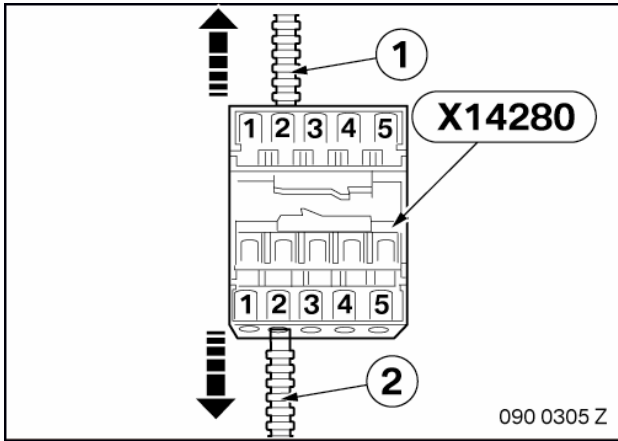
ADDITIONAL REQUIRED PARTS

Description	BMW Part Number
CD Changer	65 12 6 967 641
Trim Panel 3 Series Sedan (E90)	51 47 7 070 549
Trim Panel 3 Series Coupe (E92)	51 47 7 122 411

Procedure

1. Disconnect the battery.
2. Remove the trunk floor panel.
3. Remove plastic trunk edge liner (1).
4. Remove plastic tray (2).
5. Remove trunk trim on the left (3).
6. Remove Torx screw and plastic surround (4).
7. Remove two plastic panel rivets (5).
8. Fold down driver's side rear seat backrest and remove left backrest to access MOST-bus distribution blocks **X14280** and **X14255**.
9. Separate upper distribution block (1) from lower distribution block (2) by pushing locking tab (black arrow) to the left and sliding upper block rearward.
10. Separate lower distribution block (2) from plastic mounting bracket by pushing locking tab (black arrow) to the left and sliding block rearward.

Optic cables removed from illustration for clarity purposes

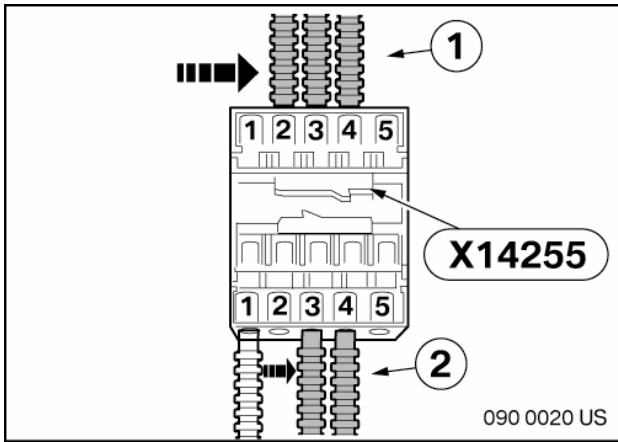


11. Remove the cover caps from the MOST-bus distribution blocks with the aid of a small flat head screwdriver.

Warning: Label all fiber optic cables removed and/or relocated during this installation including position location and orientation (input vs. output) to avoid MOST ring malfunctions.

12. Remove the fiber optic cables (1) and (2) from slot PIN 2 of the upper distribution block X14280 with the aid of a small flat head screwdriver.

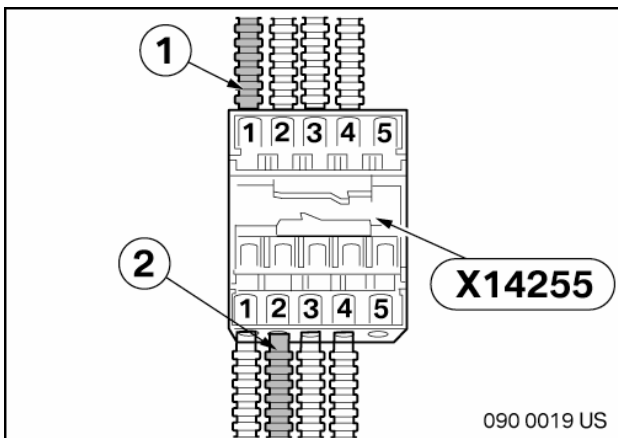
Warning: Label all fiber optic cables removed and/or relocated during this installation including position location to avoid MOST ring malfunctions.



13. Remove the fiber optic cable/s (1) from slot/s PIN 1- 4 of the upper side of distribution block X14255 and connect it to nearby slot/s PIN 2- 5.

14. Remove the fiber optic cable/s (1) from slot/s PIN 2- 4 of the lower side of distribution block X14255 and connect it to nearby slot/s PIN 3- 5.

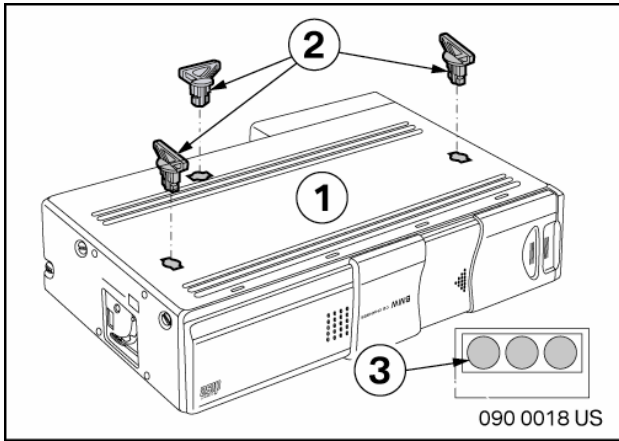
Note: The number of slots occupied in distribution block X14255 will vary according to vehicle options.



15. Connect the fiber optic cable (1) disconnected from distribution block X14280 to the empty slot PIN 1 of distribution block X14255 as shown.

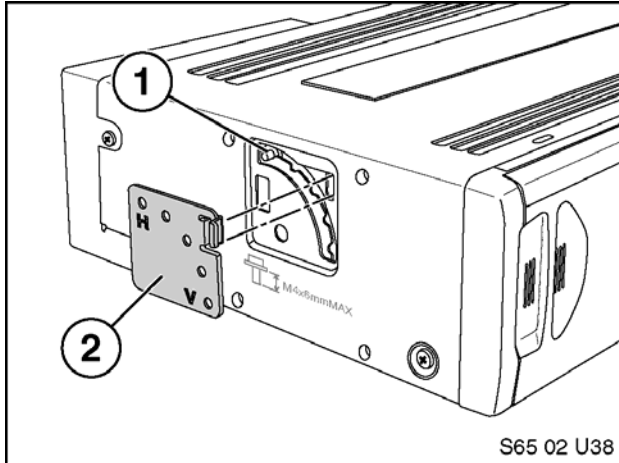
16. Connect the fiber optic cable (2) disconnected from distribution block X14280 to the empty slot PIN 2 in distribution block X14255 as shown.

Note: The number of slots occupied in distribution block X14255 will vary according to vehicle options.

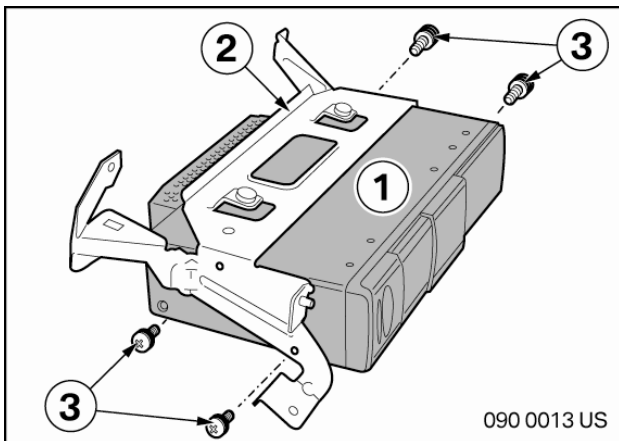


17. Remove the transit packaging screws (2) from the CD changer (1).

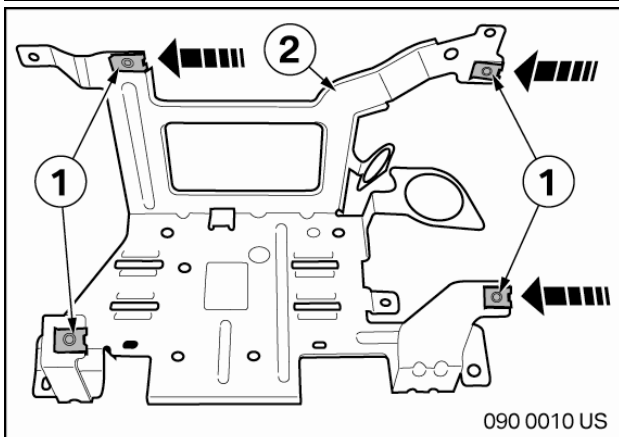
18. Place adhesive labels (3) over the openings from removal of transit screws.



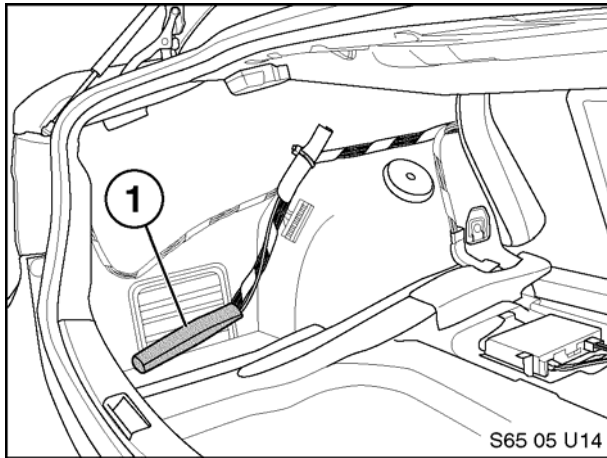
19. Remove both covers (2) from CD changer and adjust the CD changer mechanism pins for proper settings. Mechanism should be set to "H" (1) on both sides of unit for horizontal mounting position.



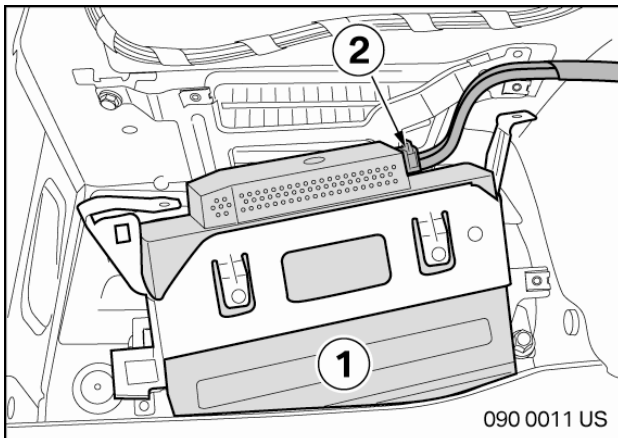
20. Secure the CD changer bracket (2) on both sides to the CD changer (1) using four pan head screws (3).



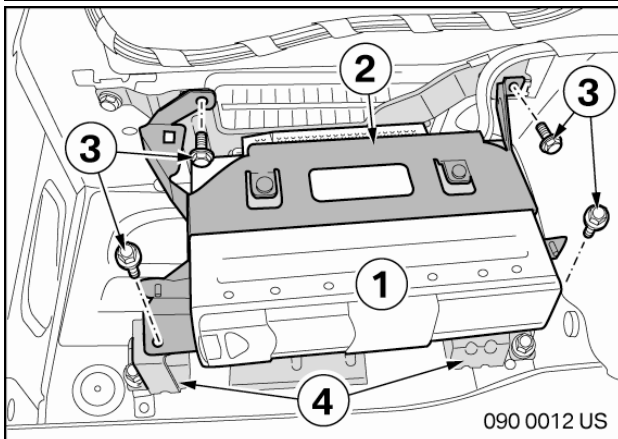
21. Slide speed clips (1) on the amplifier bracket (2) recessed points at each corner as shown.



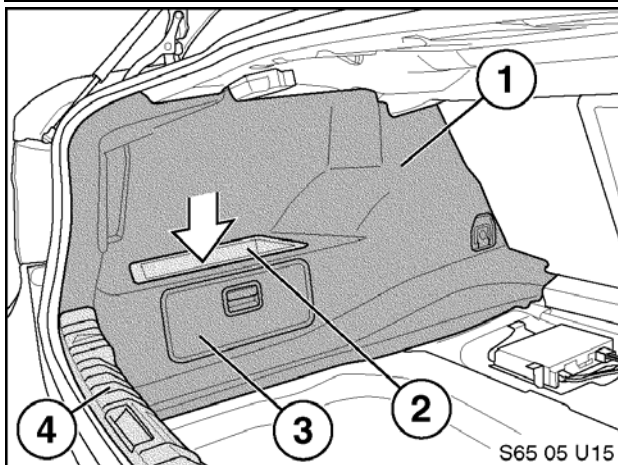
22. Locate and remove protective wrap (1) from the CD changer pre-wiring.



23. Connect plug **X18180** (2) to the CD changer (1).



24. Secure the CD changer (1) and CD changer bracket (2) to the amplifier bracket (4) using four Hex bolts (3).



25. Install new left trunk trim panel 51 47 7 070 549 or 51 47 7 122 411 (1) and insert new storage pocket 51 47 7 139 051 (2).

Note: *Trim panel 51 47 7 070 549 or 51 47 7 122 411 (1) not included in kit and must be ordered separately.*

26. Re-install plastic trunk edge liner (4).
27. You may access the CD changer through the door (3).
28. Connect the battery and re-install all components removed during installation.

RETROFIT CODING

Note: Please refer to SI B09 05 01 for latest Progmann retrofit procedure before starting vehicle coding.

Retrofit CD Changer using Progmann 21.xx or later

Follow approved CIP Retrofit procedures until Retrofit selection appears then:

Select **Retrofits**

Again Select **Retrofits**

Select **CD changer**

Select **Added**

Informational page displays "Retrofitting CD changer selected. The vehicle order is changed during sequence".

Select **CONTINUE**

Informational page displays "Is a 90 Ah AGM battery fitted?"

Select **YES**

Tester will automatically determine measures plan for encoding 672 (CD changer) and will be added to vehicle order.

Select **ACCEPT**

Select **START** to execute measures plan

Upon completion of CD Changer retrofit coding conduct functional test of the CD changer.