

# Original BMW Accessories.

## Installation Instructions.



### iPod Interface Retrofit

**BMW 5 Series (E60, E61)**

**BMW 6 Series (E63, E64)**

**These installation instructions are only valid for cars with SA 672 (CD changer) or SA 694 (CD changer preparation).**

<b>Retrofit kit no.:</b>	65 41 0 415 655	iPod interface retrofit kit
	65 41 0 403 651	iPod interface retrofit kit (US)

### Installation time

The installation time is approx. 0.75 hours, but may vary depending on the condition of the car and the equipment in it.

Before starting the modification work, always flash the vehicle up to the latest I-level. Depending on the production age of the car and the work already carried out on the car, the programming times will vary, which means that we cannot quote a specific time at this point.

The installation time does not include any time for programming/encoding, as this depends on the age of the car and the equipment in it.

### Important information

These installation instructions are primarily designed for use within the BMW dealership organisation and by authorised BMW service companies.

In any event, the target group for these installation instructions is specialist personnel trained on BMW cars with the appropriate specialist knowledge.

All work must be completed using the latest BMW repair manuals, circuit diagrams, servicing manuals and work instructions, in a rational order, using the prescribed tools (special tools) and observing current health and safety regulations.


**To avoid unnecessary extra work and/or costs, if any installation or function problem occurs, after a brief troubleshooting session (approx. 0.5 hours), please contact the following:**


- 1. Either your national subsidiary or your regional office, or**
- 2. The Support team via the Aftersales Assistance Portal (ASAP), using the optional technical parts support application.**

**Specify the chassis number and the part number of the installed retrofit kit and give a precise description of the problem.**

Do not archive the hard copy of these installation instructions since daily updates are made by ASAP!

Pictograms:

 Denotes instructions that draw your attention to special features.

 Denotes the end of the instruction or other text.

## Installation information

All pictures show LHD cars; proceed accordingly on RHD cars.

Ensure that the cables/lines are not kinked or damaged as you install them in the car. Costs incurred as a result of this will not be reimbursed by BMW AG.

Additional cables/lines that you install must be secured with cable ties.

If the specified PIN chambers are occupied, bridges, double crimps or twin-lead terminals must be used.

After the installation work the retrofit must be programmed/coded using SSS (software service station) via the **Retrofit** path.

When routing fibre optic cables, make sure the bending radius is no less than 25 mm.

The CD changer must be removed.

## Ordering instructions ( cars with SA 672 only)

CD changer shaft sealing trim **I** is not included in the retrofit kit and must be ordered separately (see EPC for part number and further details).

## List of special equipment

The following special equipment is required when installing the retrofit kit:

**SA 672** CD changer

**SA 694** CD changer preparation

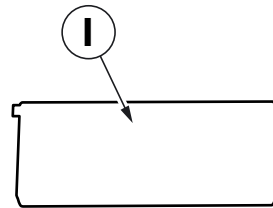
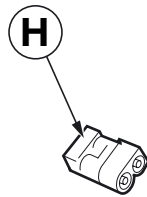
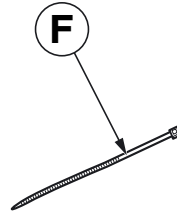
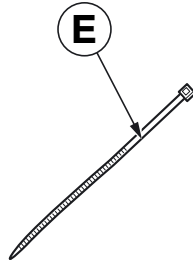
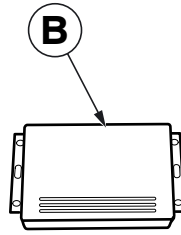
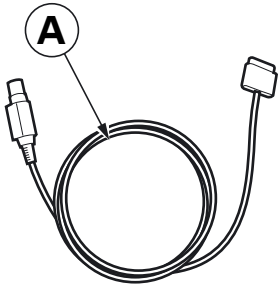
## Special tools required

00 9 317 Trim wedge

# Contents

Chapter	Page
1. Parts overview .....	4
2. Preparatory work .....	5
3. Connections diagram .....	6
4. Installation and cabling diagram .....	7
5. To install the connection cable .....	8
6. To install and connect the interface .....	9
7. Concluding work and coding .....	11

## 1. Parts overview



061 0317 Z

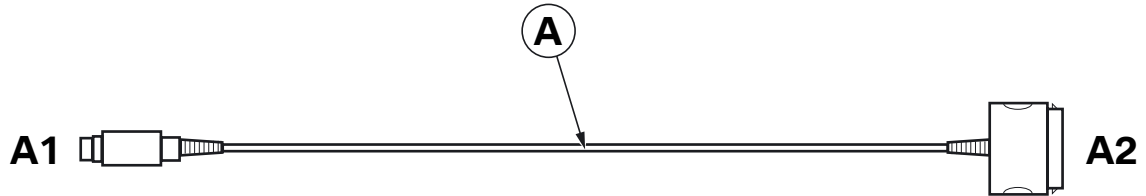
### Legend

- A** Connection cable
- B** Interface
- C** Felt (4x)
- D** Sealing strip (4x, not required)
- E** Cable tie 445 x 4.8 mm (2x)
- F** Cable tie 200 x 3.6 mm (10x)
- G** Grommet
- H** Fibre optic cable housing (cars with SA 694 only)
- I** CD changer shaft sealing trim (cars with SA 672 only, not included in the retrofit kit)

## 2. Preparatory work

	<b>TIS no.</b>
Conduct a brief test	---
Disconnect negative pole of battery	12 00 ...
<b>The following components must be removed beforehand</b>	
Glovebox	51 16 360
<b>Cars with SA 672 only</b>	
Remove CD changer with holder	65 11 070

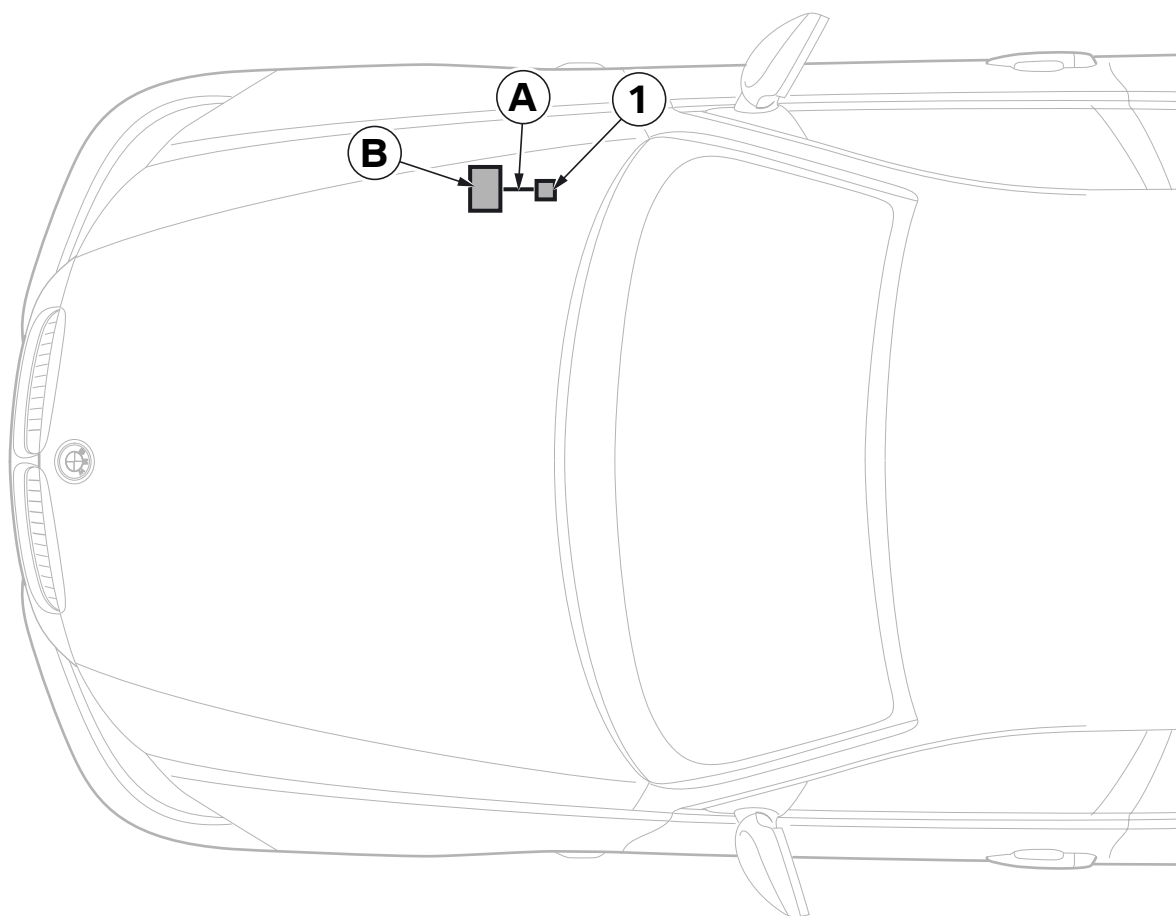
### 3. Connections diagram



061 0409 Z

Item/ Branch	Designation	Signal	Cable colour/ Cross section	Connection point in the car	Abbreviation/Slot
A	Connection cable	---	---	---	---
A1	Black 12-pin socket housing	---	---	On interface <b>C</b>	---
A2	iPod connection plug	---	---	On iPod	---

## 4. Installation and cabling diagram

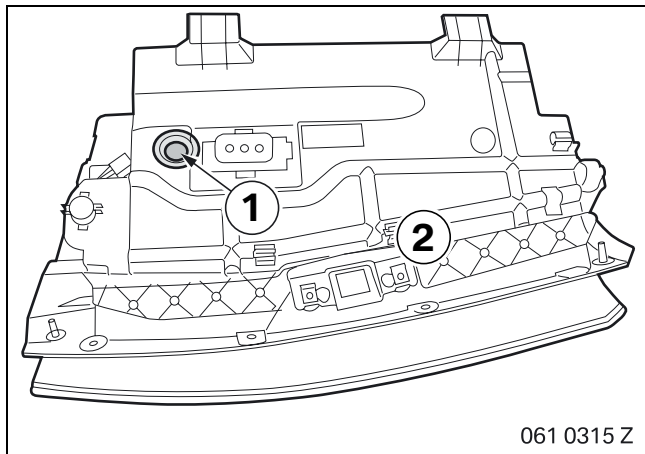


061 0363 Z

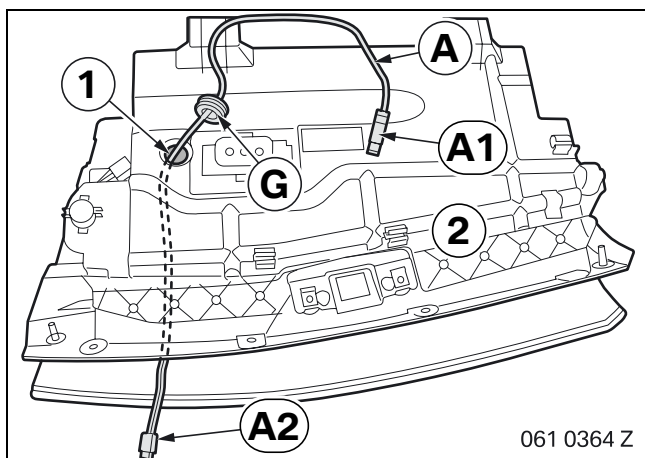
### Legend

- A** Connection cable
- B** Interface
  
- 1** iPod connection plug **A2**

## 5. To install the connection cable

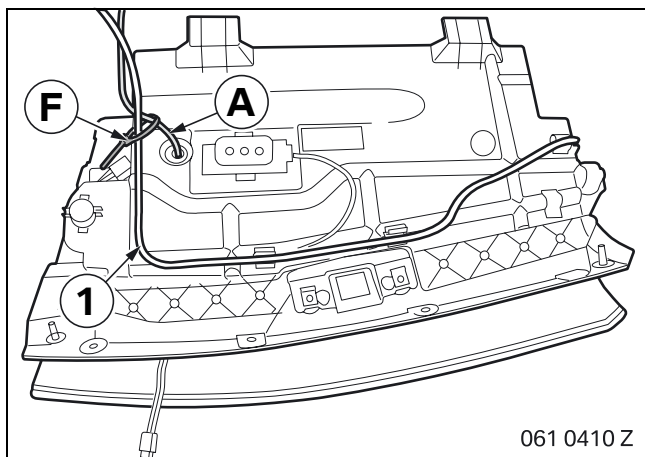


Drill through the glovebox (2) in the middle of the marked area (1) using an 18 mm step drill bit.



Install connection cable **A** as follows:

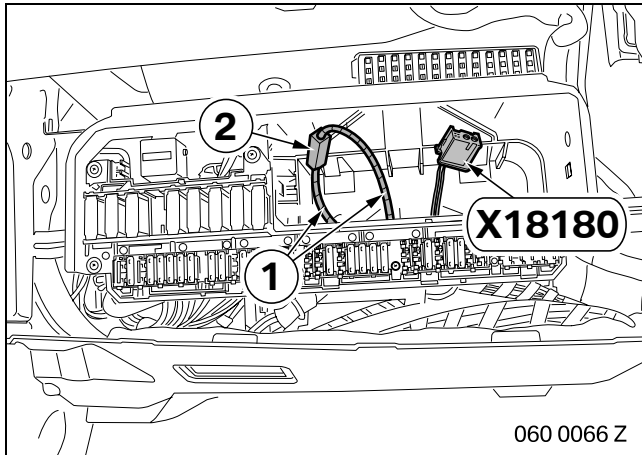
- Route branch **A1** through the hole (1)
- Push grommet **G** onto branch **A1** and insert it into the hole (1)
- Pull branch **A1** through grommet **G** until iPod connection plug **A2** is located just above the outside edge of the glovebox (2)



Use cable tie **F** to secure connection cable **A** to the standard wiring harness (1) to act as strain relief.



## 6. To install and connect the interface



### Cars with SA 694 only

Disconnect tied-back CD changer plug **X18180** (black 4+2-pin) from the standard wiring harness.

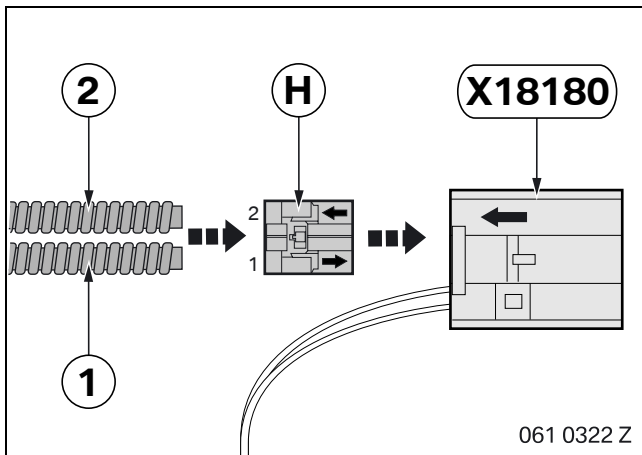
Disconnect both fibre optic cables (1) from the fibre optic cable connector (2).

▶ The incoming fibre optic cable (1) can be detected by the light signal when the ignition is switched ON. ◀

Connect the fibre optic cable to fibre optic cable housing **H** as follows:

- Incoming fibre optic cable (1) in PIN 1
- Outgoing fibre optic cable (2) in PIN 2

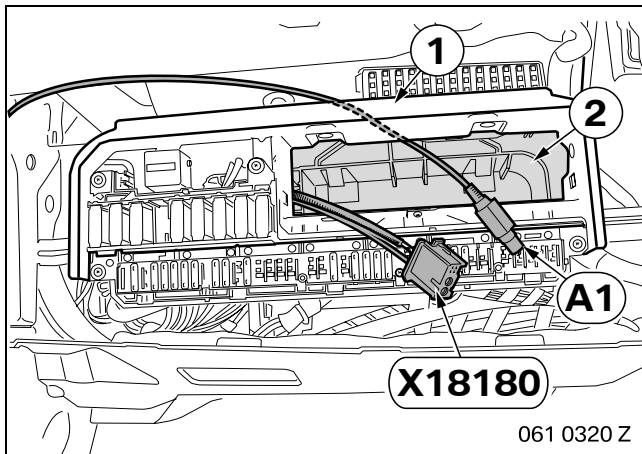
Clip fibre optic cable housing **H** into CD changer plug **X18180** (black 4+2-pin).



### All cars

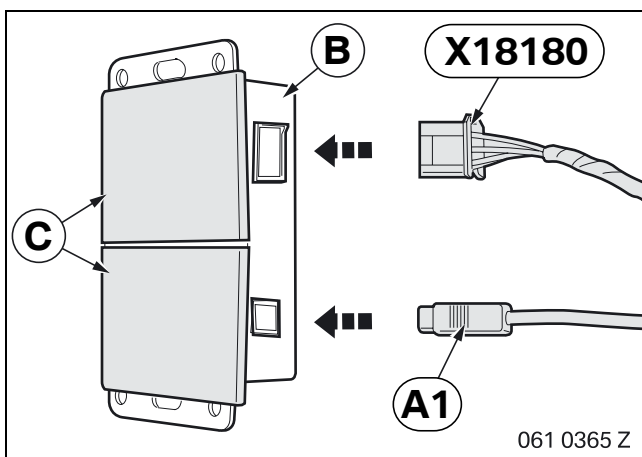
▶ Branch **A1** must be fed out of the shaft (2) of the support member (1) from the rear. ◀

Route branch **A1** to CD changer plug **X18180** (black 4+2-pin).

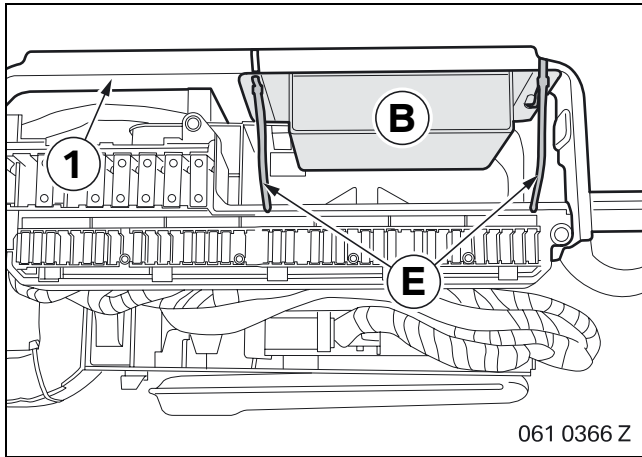


Affix felt **C** to the back of interface **B**.

Connect CD changer plug **X18180** (black 4+2-pin) and branch **A1** to interface **B**.



## 6. To install and connect the interface



Secure interface **B** to the support (1) using cable ties **E**.

## 7. Concluding work and coding

This retrofit system requires coding.

- Connect the vehicle battery
- Encode/program the retrofit with SSS (software service station) via the **Retrofit** path
- Conduct a brief test
- Conduct a function test
- Reassemble the car in reverse order

### Cars with SA 672 only

Clip in CD changer shaft sealing trim **I**.

### Circuit diagram



The circuit diagram is available in DISPlus or GT-1 if required. ◀