

Original BMW Accessories. Installation Instructions.



Retrofit kit - Front and rear splash guards BMW X3 (E83)

Retrofit kit No.:	82 16 0 149 310	Set of splash guards, rear
	82 16 0 149 311	Set of front splash guards
	82 16 0 306 070	Set of splash guards, rear
	82 16 0 415 125	Set of splash guards, rear
	82 16 0 415 127	Set of splash guards, rear

Installation time

The installation time is approx. 0.5 hours per axle, but may vary depending on the condition of the car and the equipment in it.

Important information

These installation instructions are primarily designed for use within the BMW dealership organisation and by authorised BMW service companies.

In any event, the target group for these installation instructions is specialist personnel trained on BMW cars with the appropriate specialist knowledge.

All work must be completed using the latest BMW repair manuals, circuit diagrams, servicing manuals and work instructions, in a rational order, using the prescribed tools (special tools) and observing current health and safety regulations.

The plastic and metal parts adhered to the vehicle together with the splash guards must be at a minimum temperature of 15 °C during the installation procedure.

The adhesive joint of the splash guards is carwash-proof after 48 hours.

To avoid unnecessary extra work and/or costs, if any installation or function problem occurs, after a brief troubleshooting session (approx. 0.5 hours), please contact the following:

- 1. Either your national subsidiary or your regional office, or**
- 2. The Support team via the Aftersales Assistance Portal (ASAP), using the optional technical parts support application.**

Specify the chassis number and the part number of the installed retrofit kit and give a precise description of the problem.

Do not archive the hard copy of these installation instructions since daily updates are made by ASAP!

All pictures show LHD cars; proceed accordingly on RHD cars.

Subject to technical modifications.

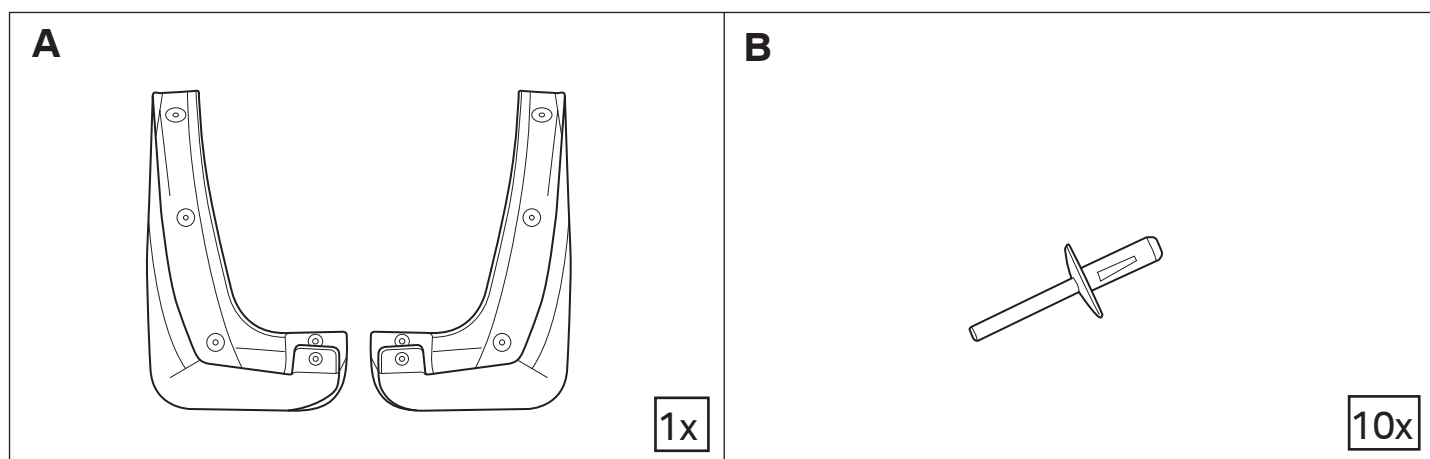
Special tools required

Cleaner: SIKA-Cleaner 205 (included in window repair kit)

Contents

Section	Page
1. Parts Overview - Front splash guards	3
2. Parts Overview - Rear splash guards	4
3. Installing front splash guards	5
4. Installing rear splash guards (for vehicles before 09/2006)	7
5. Installing rear splash guards (for vehicles after 09/2006)	9

1. Parts Overview - Front splash guards



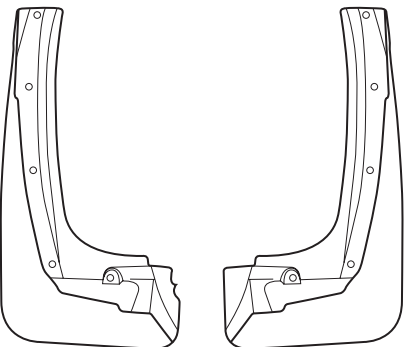
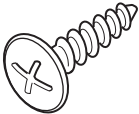
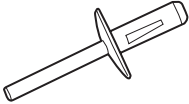
Legend

A Splash guard, front

B Expanding rivet

2. Parts Overview - Rear splash guards

Rear splash guards before 09/2006

<p>C</p>  <p>1x</p>	<p>D</p>  <p>2x</p>
	<p>E</p>  <p>10x</p>

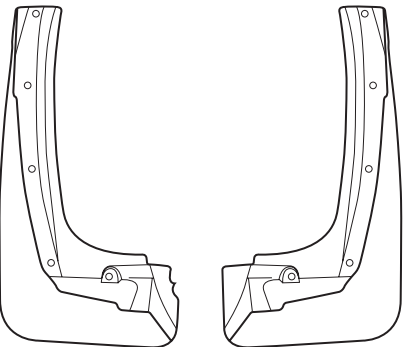
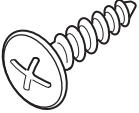
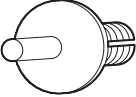

Legend

C Rear splash guard

D Crosshead screw

E Expanding rivet

Rear splash guards after 09/2006

<p>F</p>  <p>1x</p>	<p>G</p>  <p>4x</p>
	<p>H</p>  <p>8x</p>
	<p>I</p>  <p>2x</p>

Legend

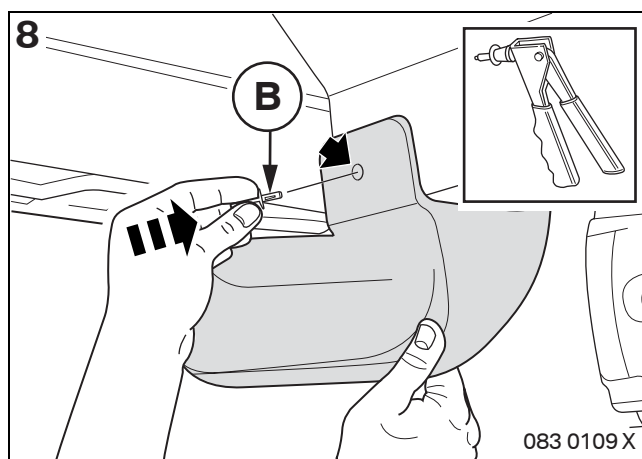
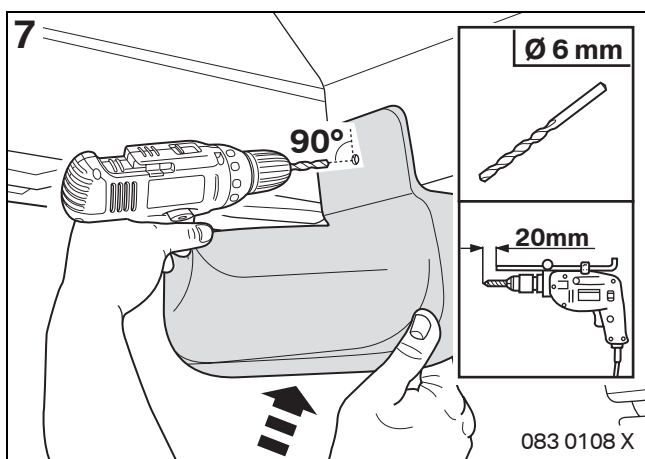
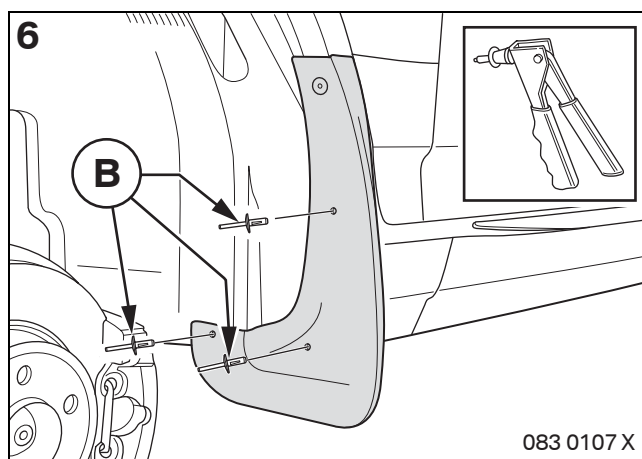
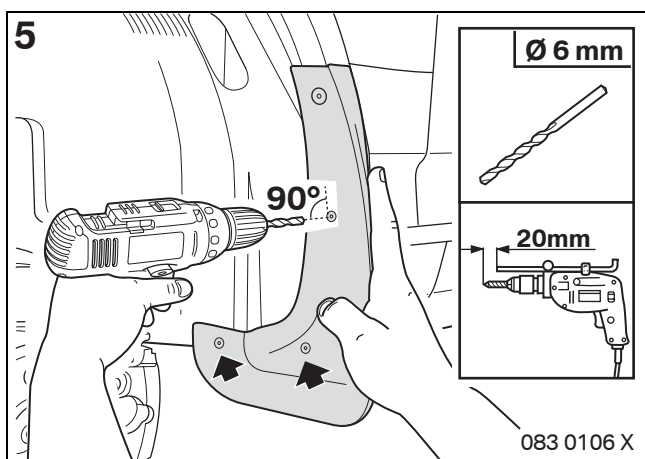
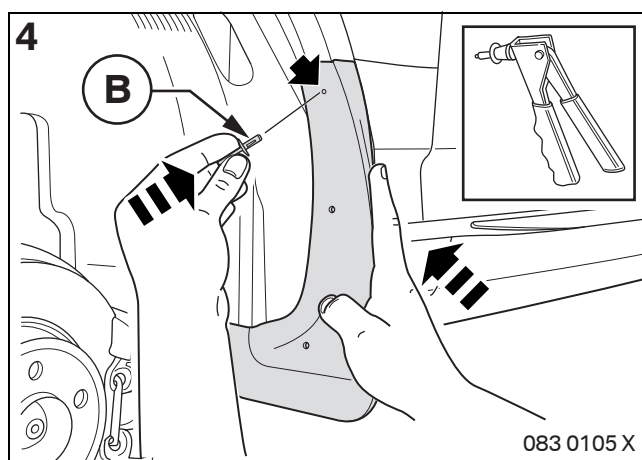
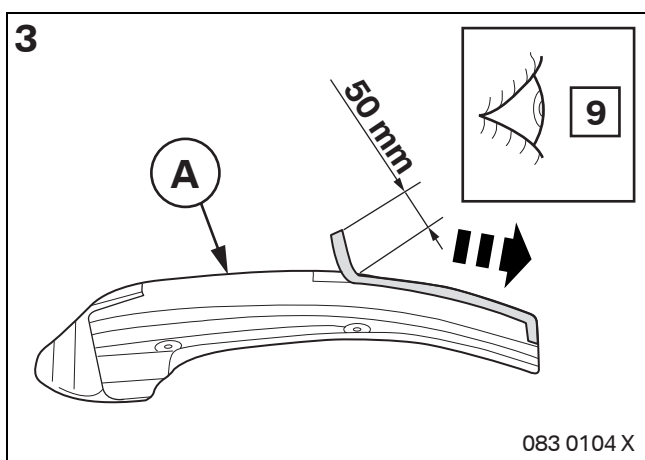
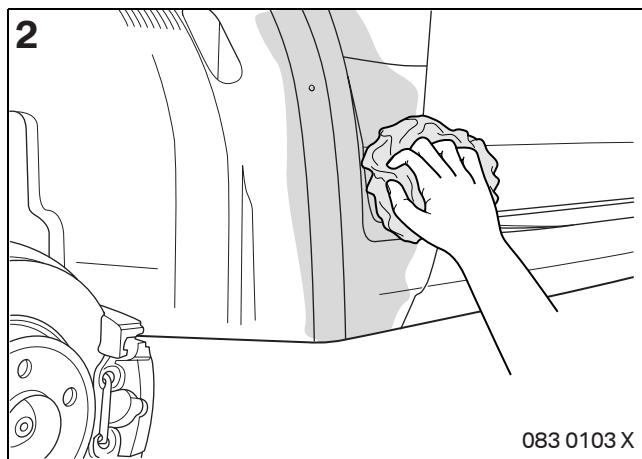
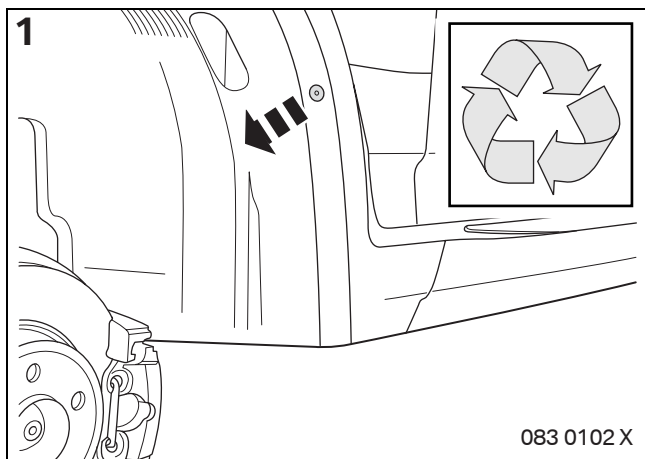
F Rear splash guard

G Crosshead screw

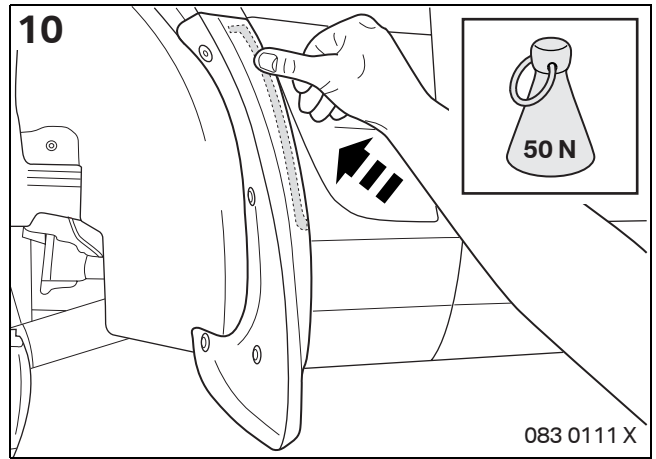
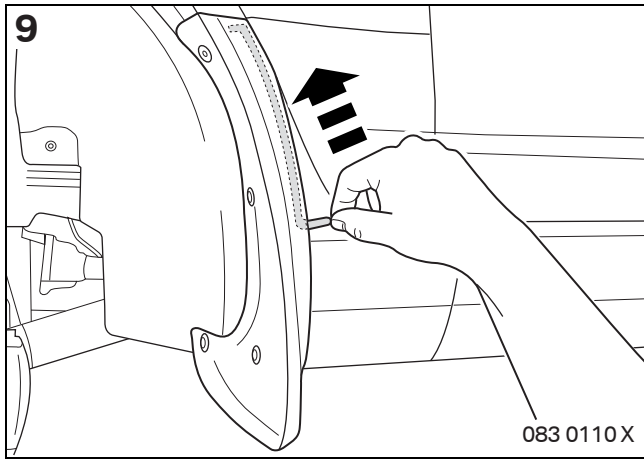
H Expanding rivet

I Sheet-metal nut

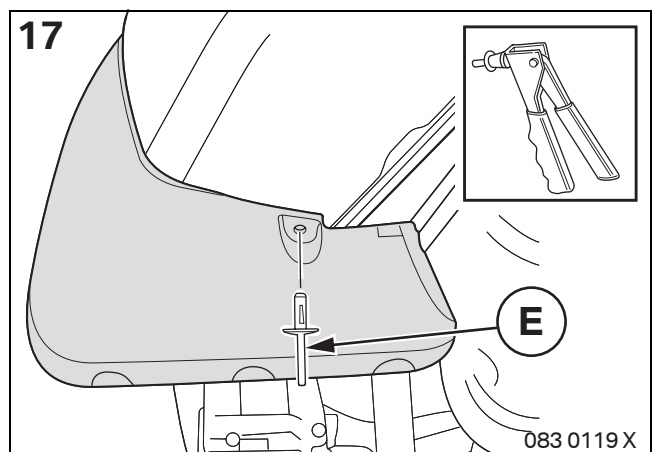
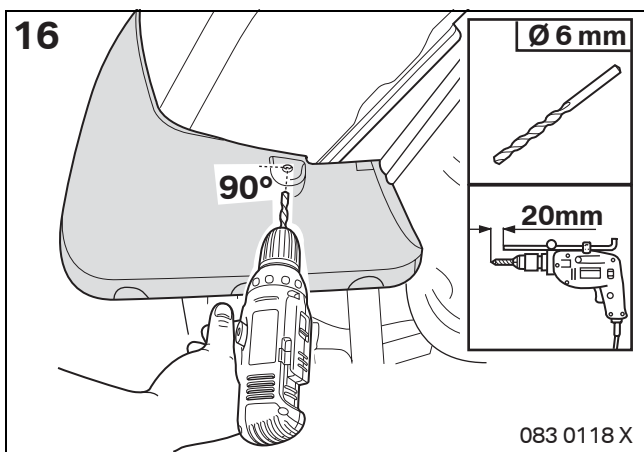
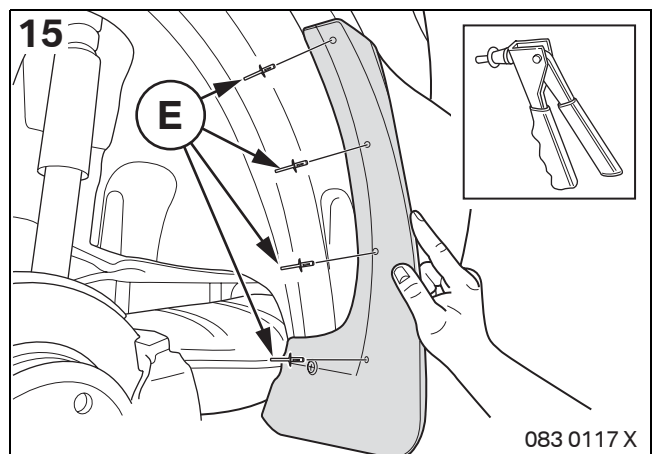
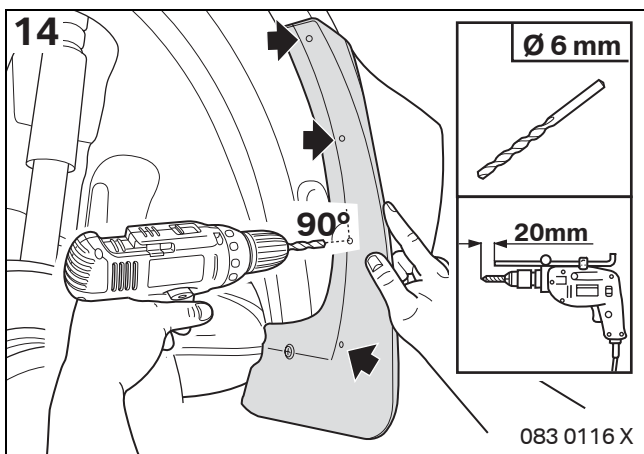
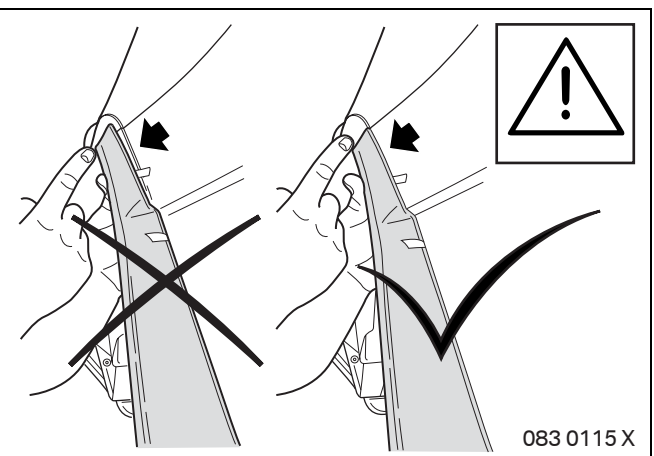
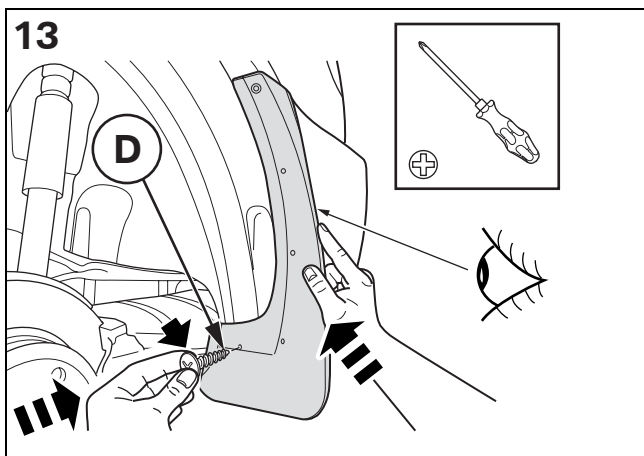
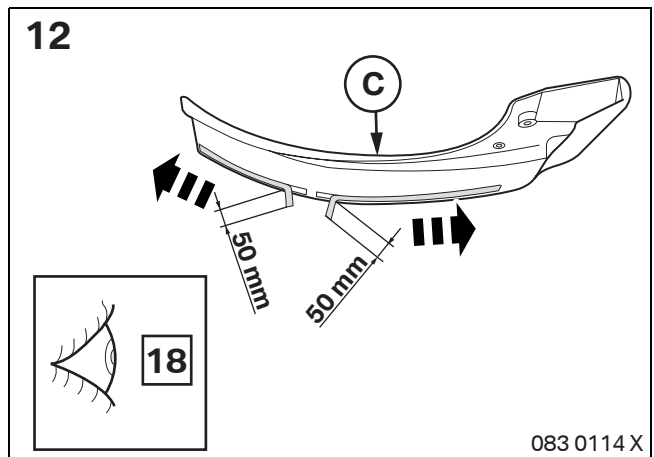
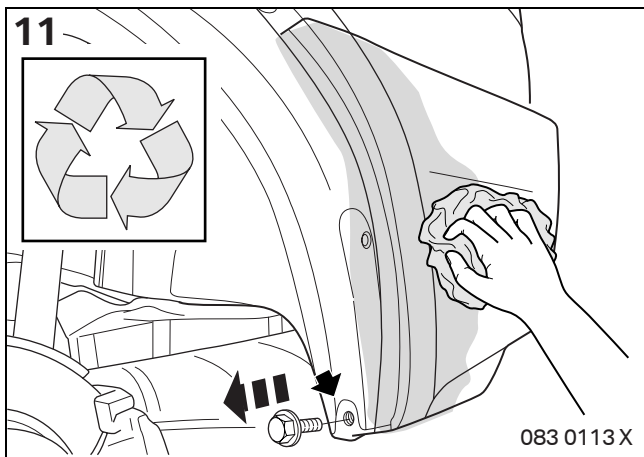
3. Installing front splash guards



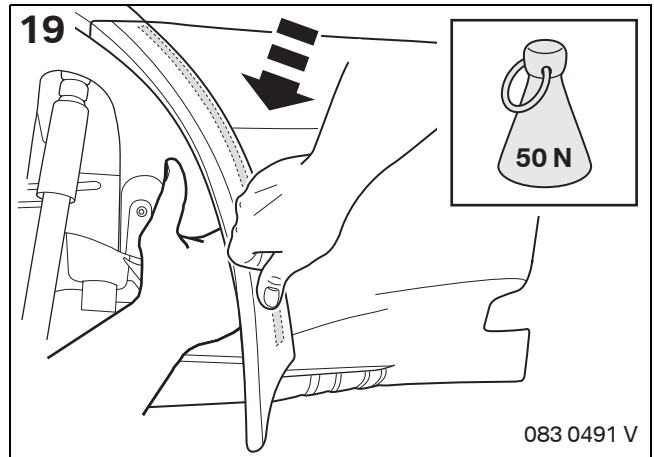
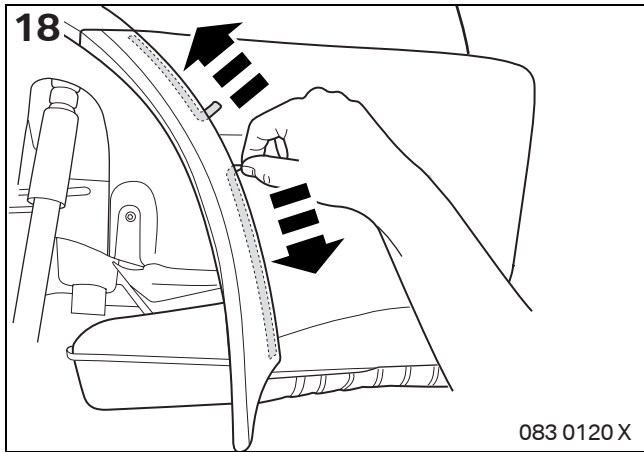
3. Installing front splash guards



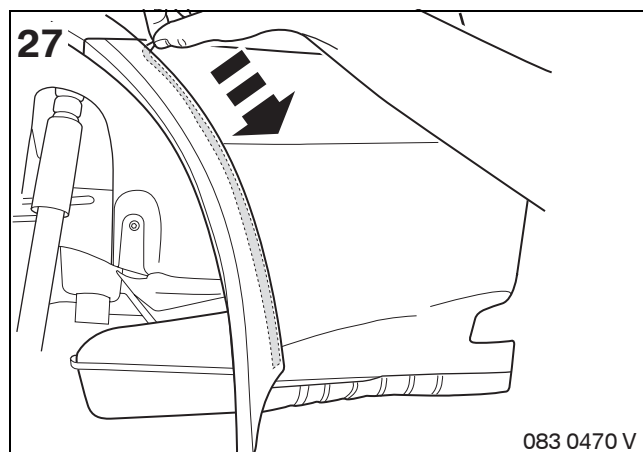
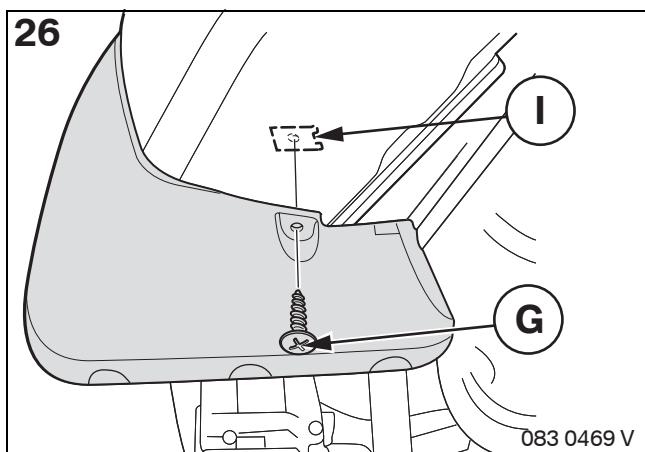
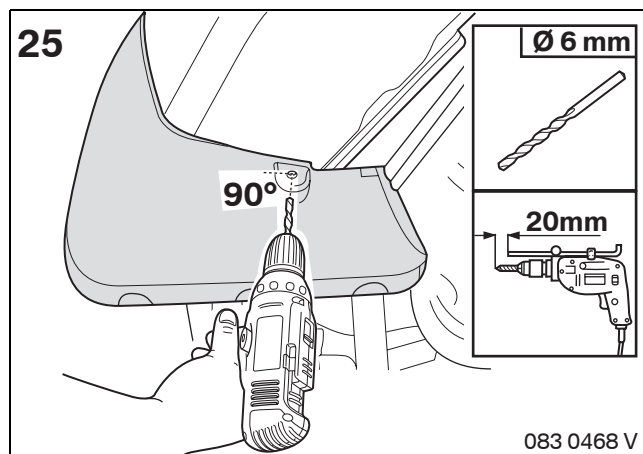
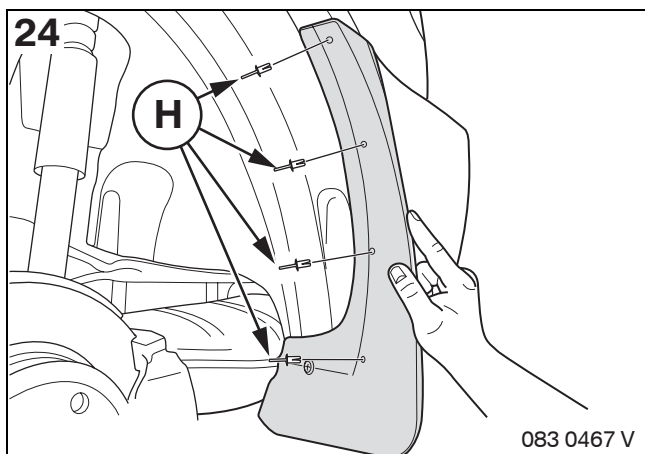
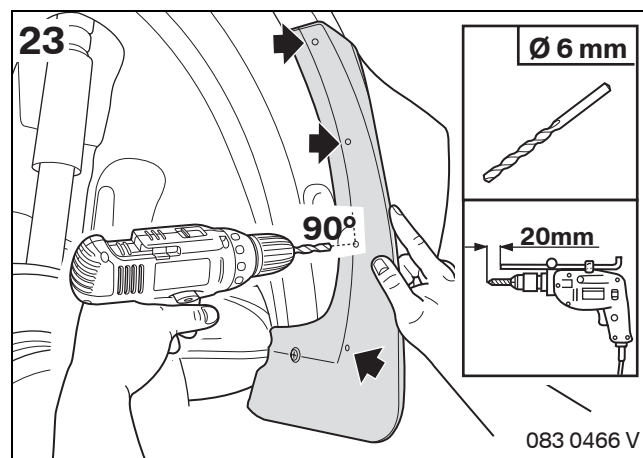
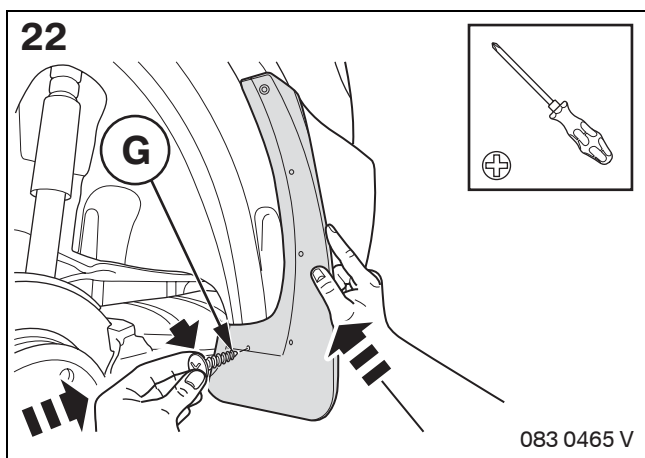
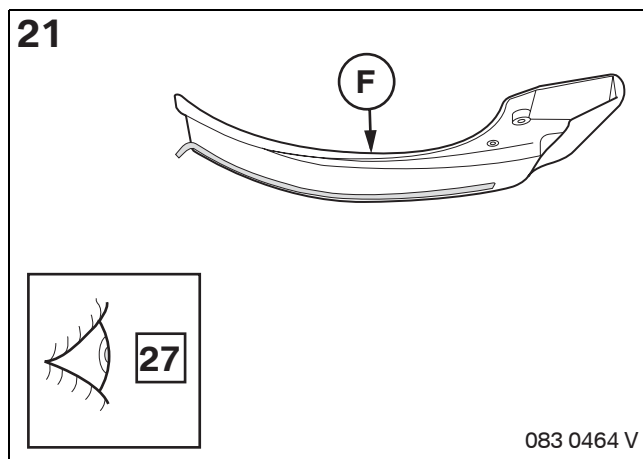
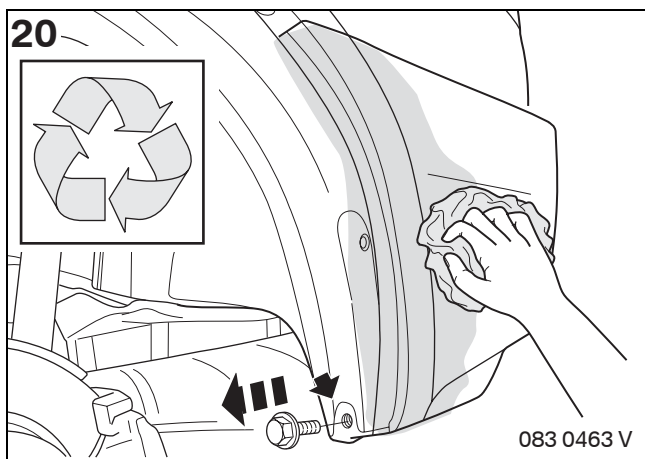
4. Installing rear splash guards (for vehicles before 09/2006)



4. Installing rear splash guards (for vehicles before 09/2006)



5. Installing rear splash guards (for vehicles after 09/2006)



5. Installing rear splash guards (for vehicles after 09/2006)

