

Parts and Accessories. Installation Instructions.



Alarm Kit

BMW 3 Series sedan (E 90), Select Vehicle Production 03/05 - On

Vehicle must have optional alarm pre-wiring (SA 5GA), which is 100% option for US spec vehicles.

Retrofit kit No. 66 12 0 403 658

Installation time

The installation time is 1.5 hours, but this may vary depending on the condition of the car and the equipment in it.

Suggested installation time includes re-coding of the vehicle only for this retrofit kit. This time is based on a vehicle that is at the current software level and does not require any updates. Before installing this accessory into the vehicle, the vehicle should be connected to the DIS and checked for software updates. If updates are available the vehicle should be programmed prior to installing this accessory.

Please refer to SI B09 05 01 for latest BMW approved CIP Retrofit procedures.

Important information

The instructions below are developed for BMW vehicles and are not to be compared to any other existing instructions for vehicles other than BMW. No methods other than those specified in this document are to be used for installation in BMW vehicles. Left and right are determined from the driver's seat.

Carefully read all instructions and supplements before proceeding with the installation. Reference should be made to TIS for instructions dealing with a stock part of the vehicle but not stated in detail in these instructions.

The instructions were complete and up to date at time of publication; however, changes to the vehicle or installation may have occurred. Please report any problems or changes noted with the installation to BMW Technical Hotline, along with VIN, date of manufacture and as much detail as possible.

Do not archive the hard copy of these installation instructions since daily updates are made by ASAP.

PARTS INFORMATION

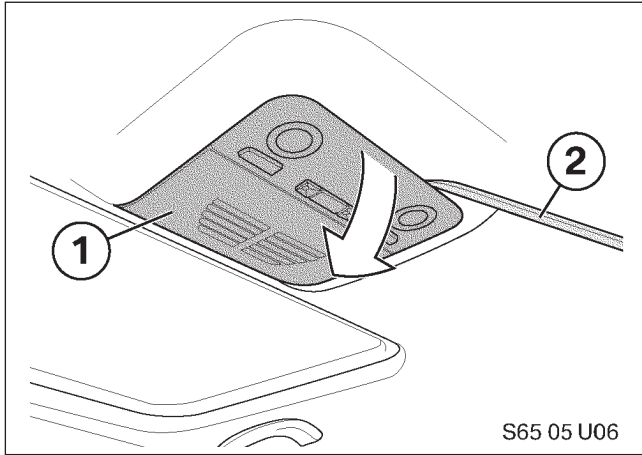
Contents of Kit – P/N 65 12 0 403 658

Description	Qty	BMW Part Number
Bracket for hood switch	1	61 31 6 932 791
Mounting plate	1	65 75 6 936 588
Bracket Alternate Power Siren	1	65 75 6 940 124
Alternate Power Siren	1	65 75 6 948 392
Screw ST 4.8x13	1	07 11 9 901 202
Ultrasonic Module	1	65 75 6 963 651
Hood Switch	1	61 31 8 352 229
Hex Nut M6 w/captive washer	4	07 12 9 904 008
Screw M6x18 w/washer	2	07 11 9 904 093

Contents

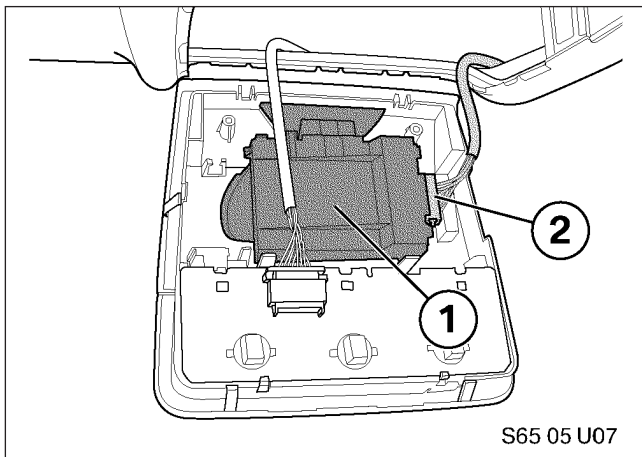
Section	Page
1. Interior Ultrasonic Module Installation	4
2. Hood Switch Installation	5
3. Alternate Power Siren Installation	6
4. Retrofit coding	8
5. Personal Profile Settings	9
6. Alarm System Circuit diagram	10

1. Interior Ultrasonic Module Installation



1.1
Disconnect negative battery terminal.

1.2
Pry off ceiling light cover (1) from headliner using pry tool (2).

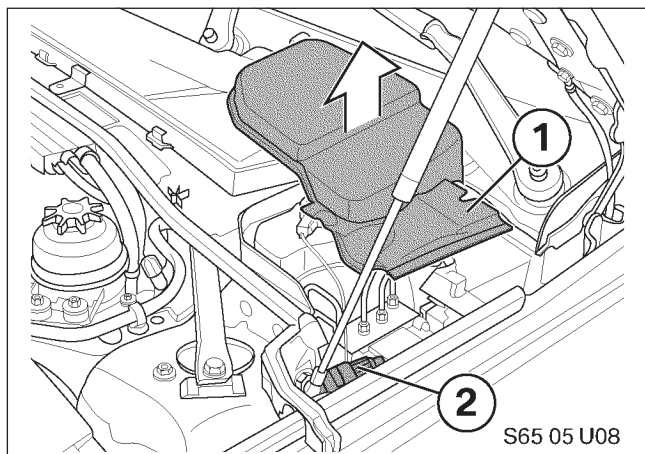


1.3
Install ultrasonic module (1) into ceiling light as shown.

1.4
Connect 8-position black connector (2) to ultrasonic module (1).

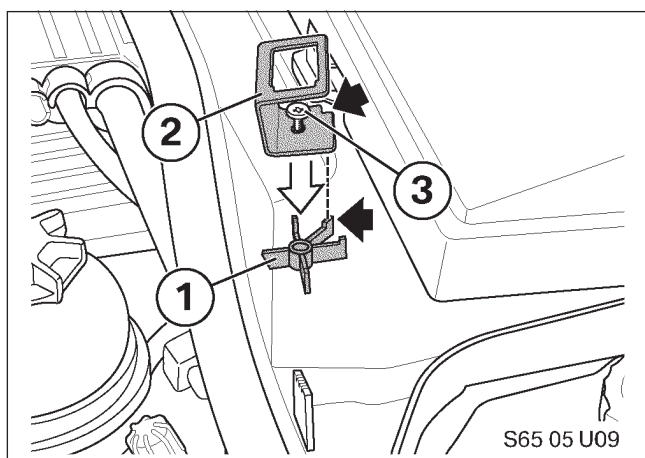
1.5
Reinstall ceiling light cover to headliner.

2. Hood Switch Installation



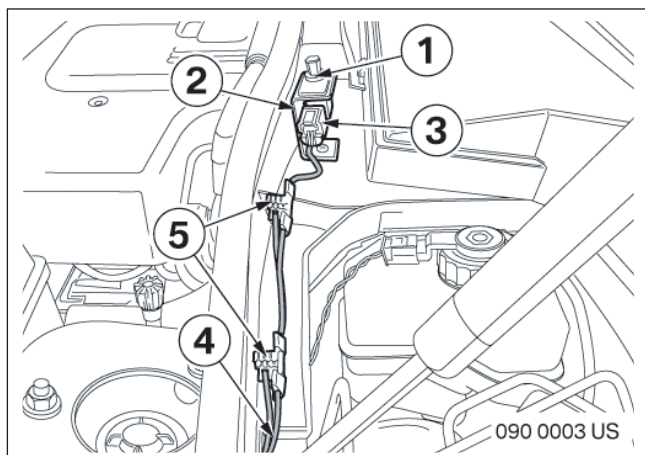
2.1
Remove cover (1) by LH hood strut area.

2.2
Locate 3-position black hood switch connector and harness (2). Remove securing tape.



Note: Make sure "corner notch" on bracket faces rearward and fits into base mounting tab as shown.

2.3
Position hood switch bracket (2) to mounting location (1) and secure in place with ST 4.8 x 13 screw (3).



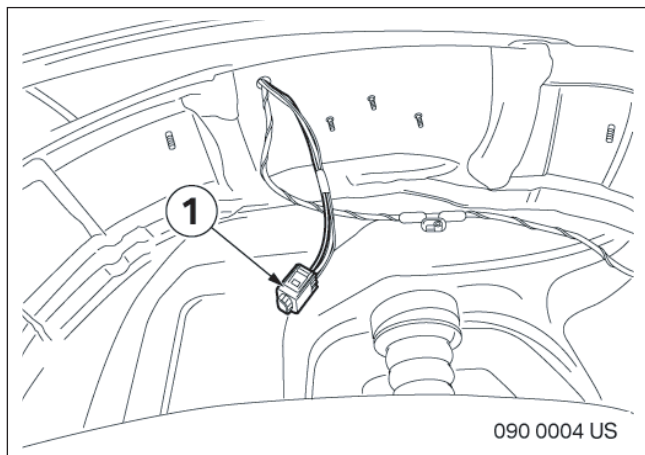
2.4
Insert hood switch (1) into hood switch bracket (2).

2.5
Connect hood switch connector (3) to hood switch (2).

2.6
Secure hood switch harness (4) by pushing cable clips (5) into mounting tabs.

2.7
Reinstall cover.

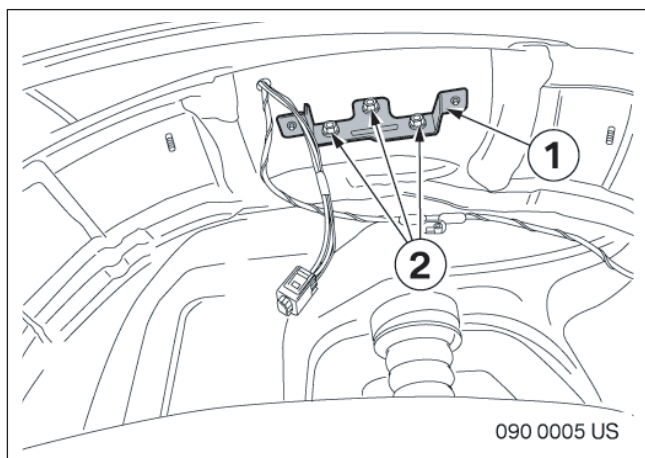
3. Alternate Power Siren Installation



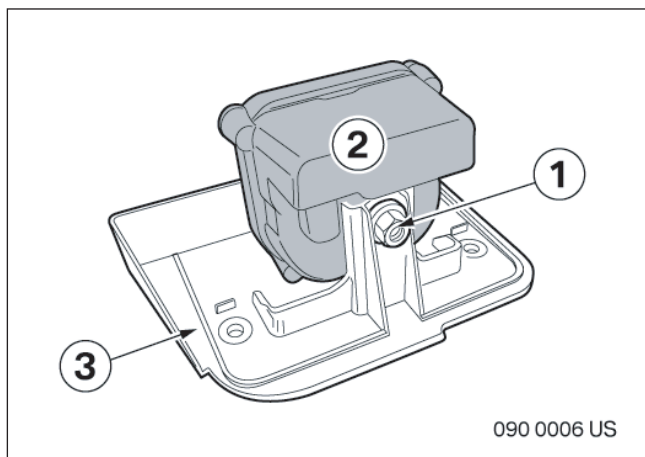
3.1
Remove LH rear wheel.

3.2
Remove LH rear wheel arch cover.
See TIS 51 71 041

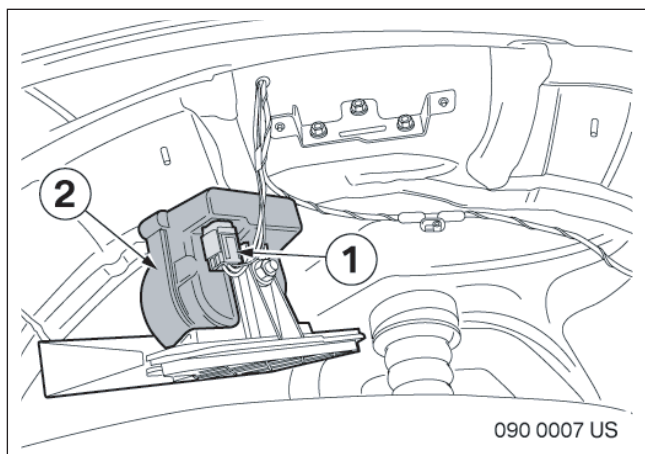
3.3
Locate 3-position black siren connector (1) in upper LH wheel arch area. Remove securing tape.



3.4
Install siren bracket (1) over threaded studs and secure in place with M6 hex nuts (2)

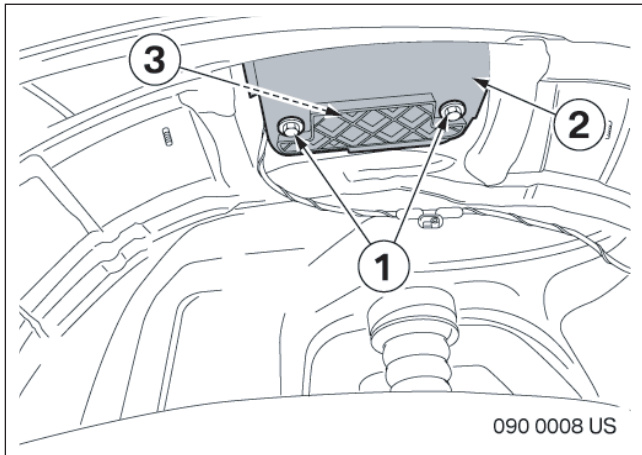


3.5
Position siren (2) to mounting plate (3) and secure in place with M6 hex nut (1).



3.6
Connect 3-position black connector (1) to siren (2).

3. Alternate Power Siren Installation



3.7
Use M6x18 hex screws (1) to secure mounting plate (2) to bracket (3).

3.8
Reinstall LH rear wheel arch cover.

3.9
Reinstall LH wheel.

Installation complete. Please complete retrofit coding procedures from next page.

4. Retrofit coding

Note: Please refer to SI B09 05 01 for latest CIP retrofit procedure before starting vehicle coding.

Reconnect negative battery terminal.

Retrofit DWA (alarm system) using Progman CIP 16.02 or later .

Follow approved CIP Retrofit procedures until Retrofit selection appears then:

- Select **Retrofits**
- Again Select **Retrofits**
- Select **DWA**
- Select **Added**
- Informational page displays "Retrofitting Anti-theft alarm system selected. The vehicle order is changed during sequence".
- Select **CONTINUE**
- Informational page displays "Is a 90 Ah AGM battery fitted?"
- Select **YES**
- Tester will automatically determine measures plan for encoding 302 (DWA) and will be added to vehicle order.
- Select **ACCEPT**
- Select **START** to execute measures plan

Upon completion of anti-theft alarm system retrofit coding conduct functional test of alarm system.

5. Personal Profile Settings

Personal Profile Settings allow the customer to modify select settings for the Alarm system.

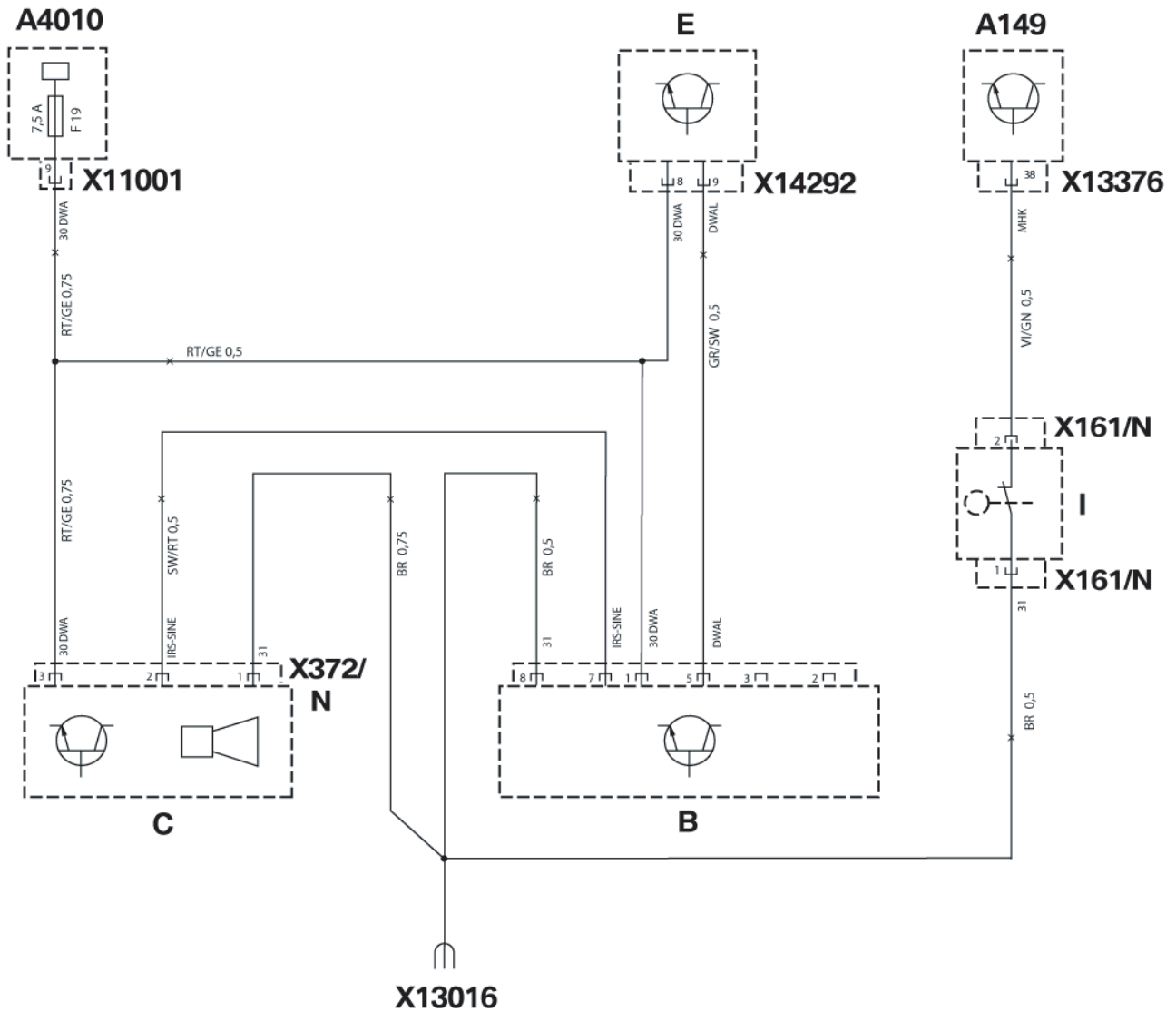
For vehicles with optional Navigation (SA 609):

- Settings can be selected via I-Drive menu.
Please refer customer to Vehicle Owner's Manual "Personal Profiles" and "Alarm" sections for more information.
- Tilt Sensor and Interior Sensor are active by default, but can be disabled using CIP 17.

For vehicles without Navigation:

- Visual and audio confirmation settings cannot be modified.
- All settings are set to active by default.
Please refer customer to Vehicle Owner's Manual "Alarm" section for more information.
- Tilt Sensor and Interior Sensor are active by default, but can be disabled using CIP 17.

6. Alarm System Circuit diagram



090 0009 US

Legend

- A149** CAS control module
- A4010** Fuse holder
- B** Ultrasonic module
- C** Emergency-current siren
- E** Interior mirror
- I** Hood switch
- N** Black 3-pin
- X161** 3-pin black plug, to hood switch **I**
- X372** 3-pin plug, black to emergency-current siren **C**
- X11001** 15-pin black plug, to fuse holder **A4010**
- X13016** Joint connector, terminal 31 tap
- X13376** 41-pin black plug, to CAS control module **A149**
- X14292** 10-pin black plug, to interior rear view mirror **E**

6. Alarm System Circuit diagram

Cable colors

BL	Blue
BR	Brown
GE	Yellow
GN	Green
GR	Grey
OR	Orange
RT	Red
SW	Black
VI	Violet