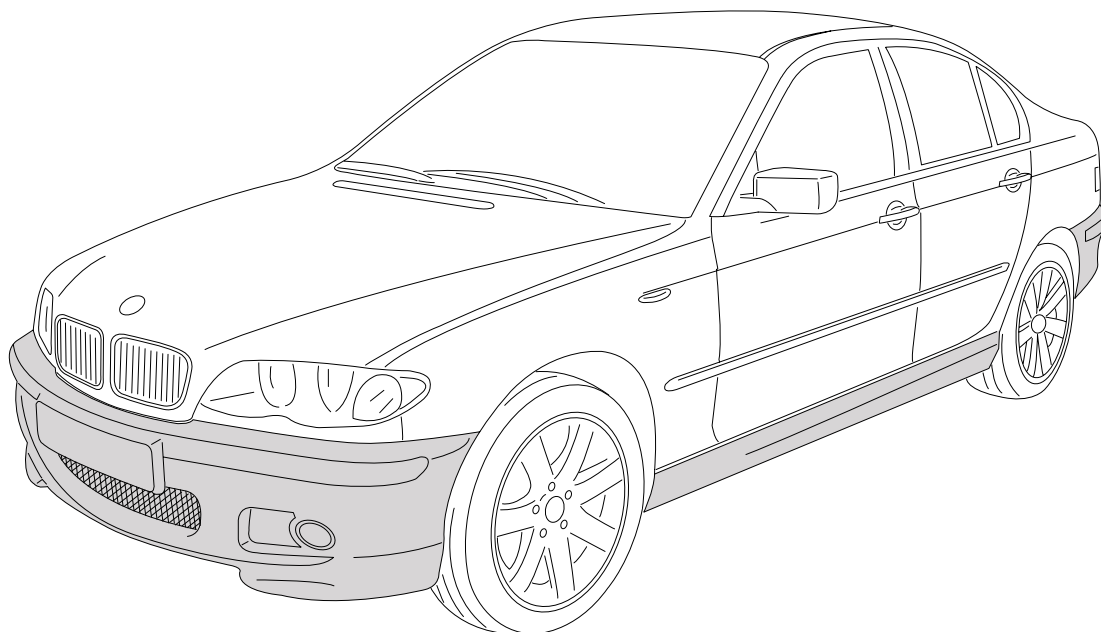




Parts and Accessories Installation Instructions



046 0856 B

Retrofit Kit BMW M Aerodynamics Package

BMW 3 Series saloon (E46/4)

BMW 3 Series touring (E46/3)

Specialist knowledge required.

The installation time is approx. 3.0 hours, but this may vary depending on the condition of the car and the equipment in it.

Retrofit kit No. 51 71 0 139 647
 51 71 0 139 648
 51 71 0 139 649
 51 71 0 139 650

Contents

1. Important information for the installation of the aerodynamics package	3
2. Important painting instructions for aerodynamic components	4
3. Preparations	5
4. Parts list	6
5. To install the front apron	8
6. To install the rear apron.	10
7. To install the side skirts	12

1. Important information for the installation of the aerodynamics package

Only for use in the BMW dealer organisation.

All installation descriptions are only valid for cars with a production date after 9/01.
The following points do not apply to cars with a production date before 9/01:

Section 5:

- New lateral guides are **not** fitted
- New fog light plugs are **not** fitted

Section 6:

- New lateral guides are **not** fitted

The aerodynamics package may only be installed by a specialist workshop that has the required special tools and manuals (servicing, repair, diagnostics, etc.).

Some of the work is shown for a LHD car, the same procedure should be used as appropriate on RHD cars.

All the work is shown on the left-hand side of the car, the same procedure should be used as appropriate on the right-hand side.

Item numbers refer only to the overview drawings and to the texts next to the appropriate figure.



When ordering the aerodynamics package, make sure you obtain all necessary parts as listed in the electronic parts catalogue (EPC).



Refer to the Technical Information System (TIS) for more information.

Subject to technical modifications

Special tools:

Disconnection tool

2. Important painting instructions for aerodynamic components

The front apron, rear apron and side skirts are supplied ready primed and must be finished in the body colour.

The primed parts must undergo the appropriate pre-treatment.
Follow the BMW painting instructions for all painting work.

Procedure: The aerodynamics package is made from PP+EPOM+10%TV.



Check that all the parts fit accurately on the car before painting them. ◀



If they are not fixed securely for painting and stoving the parts may suffer deformation. ◀

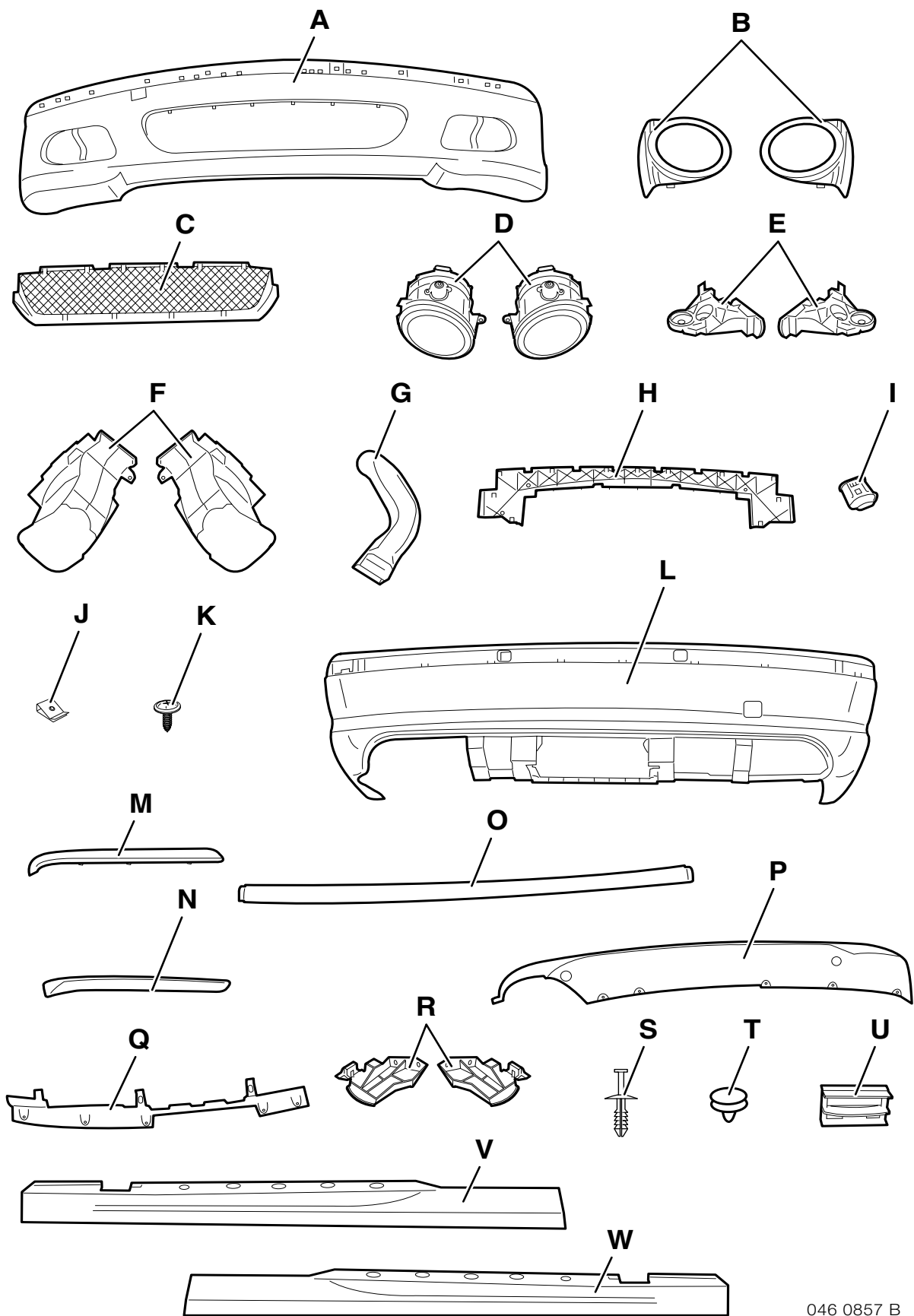
Safety instructions

It is essential to ensure that mechanical work or painting work does not destroy the model plate or the embossing in the front apron, rear apron and side skirts or render it illegible.

3. Preparations

	TIS instruction No.
Remove the front apron (no longer required)	51 11 000
Remove the supports from the front apron (required later)	51 11 000
Remove the décor strips from the front apron (required later)	51 11 000
Remove the front air guides (no longer required)	51 11 000
Disconnect the fog light plugs (no longer required)	---
Remove the holders and guides for the front apron (no longer required)	51 11 701
Remove both side skirts (no longer required)	51 71 447
Remove the rear apron (no longer required)	51 12 000
Remove the support (is only replaced on E46/3 with PDC)	51 12 000
Remove all holders and guides for the rear apron (no longer required)	51 12 000
Remove the spare wheel	---

4. Parts list



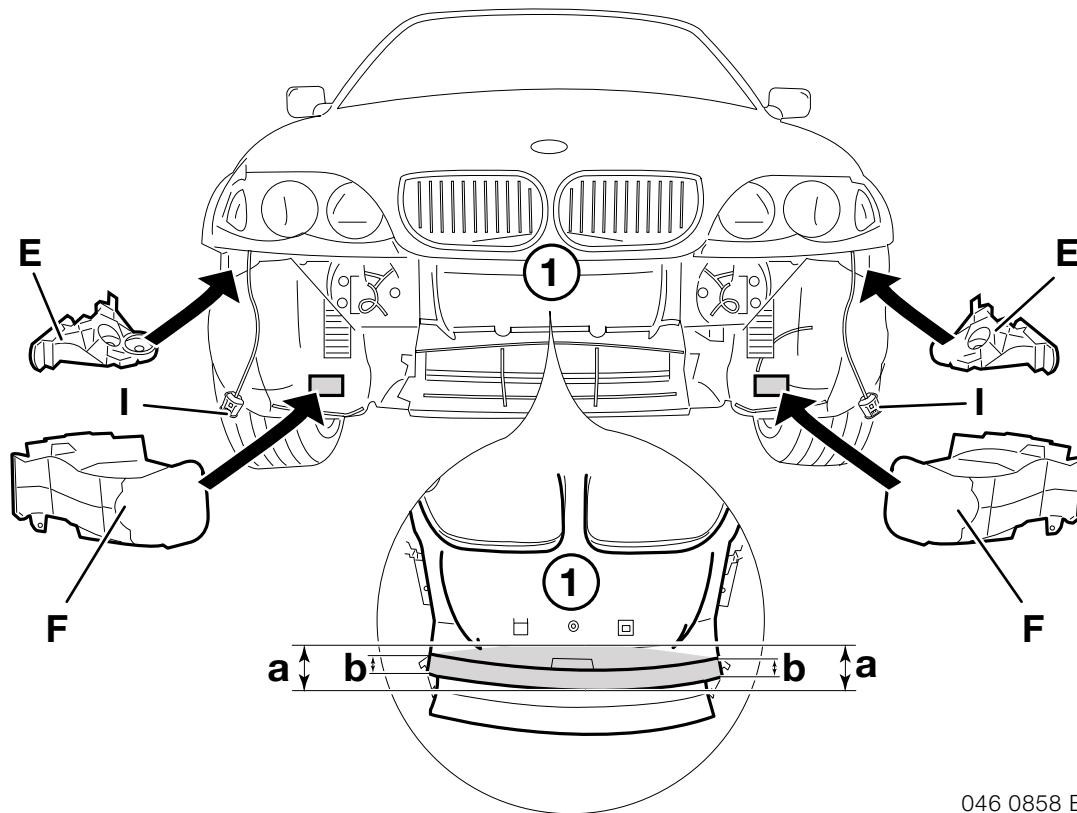
046 0857 B

4. Parts list

Legend

- A** Front apron
- B** Fog light cover (left and right)
- C** Grille
- D** Fog light (left and right)
- E** Lateral guide for front apron (left and right)
- F** Air guide (left and right)
- G** Air guide (diesel models only)
- H** Central air guide cover
- I** Fog light plug (2x)
- J** Speed nut (5x)
- K** Philips screw 3.5x16 (5x)
- L** Rear apron
- M** Décor strip
- N** Décor strip
- O** Décor strip
- P** Rear apron cover
- Q** Mounting point for rear apron bottom
- R** Lateral guide for rear apron (left and right)
- S** Expanding rivet (33x)
- T** Clip (4x)
- U** Clip (20x)
- V** Right side skirt
- W** Left side skirt

5. To install the front apron



046 0858 B

TIS 51 11 000 - 51 11 794

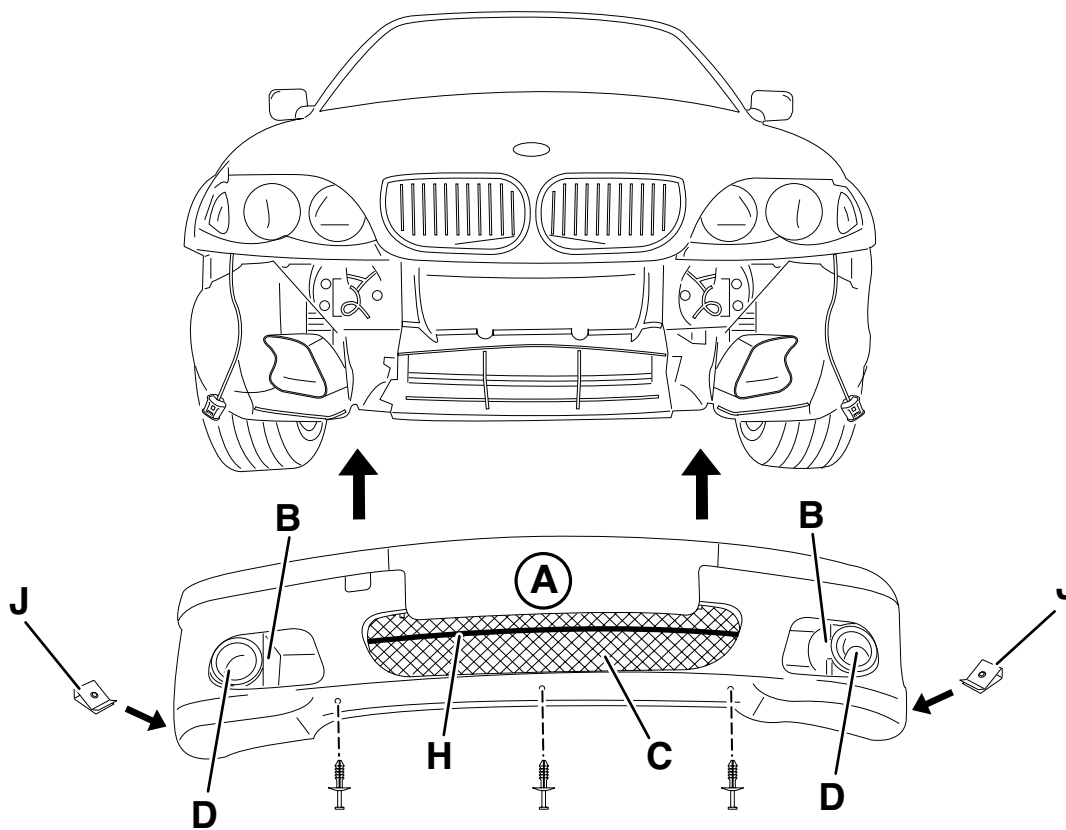
- Fit the air guides **F**
- Fit the lateral guides **E**
- Connect the fog light plugs **I**

Brown cable = **PIN1**
Yellow/brown cable = **PIN2**

Cut out the grey area of the air guide (1), as shown in the figure.

Dimension **a** = 65 mm
Dimension **b** = 30 mm

5. To install the front apron

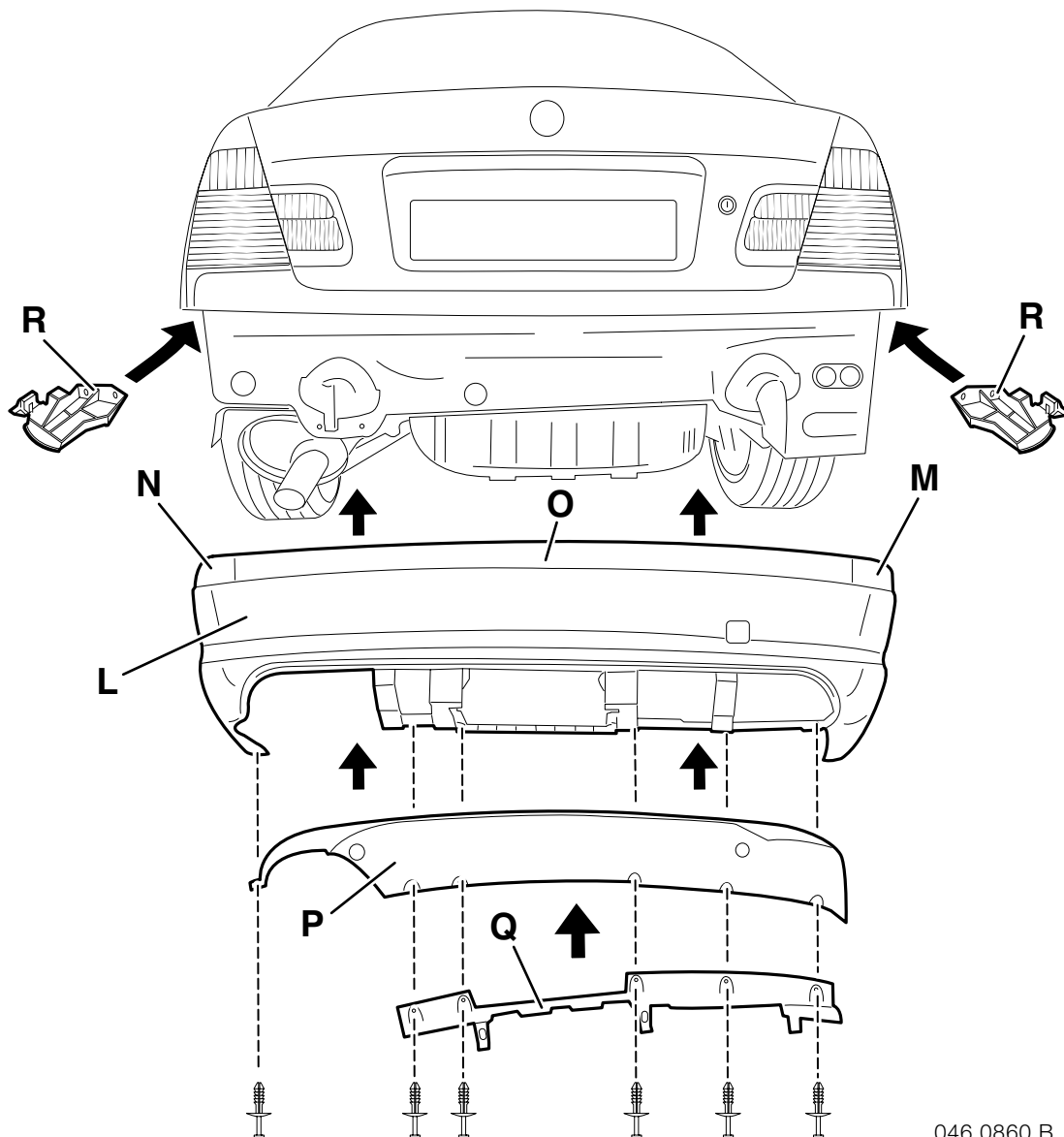


046 0859 B

TIS 51 11 000 - 51 11 794

- Install items **B, C, D, H** and **J** in the front apron **A**
- Install the support in the front apron
- Install the décor strips and licence plate holder
- Fit the pre-assembled front apron onto the car

6. To install the rear apron

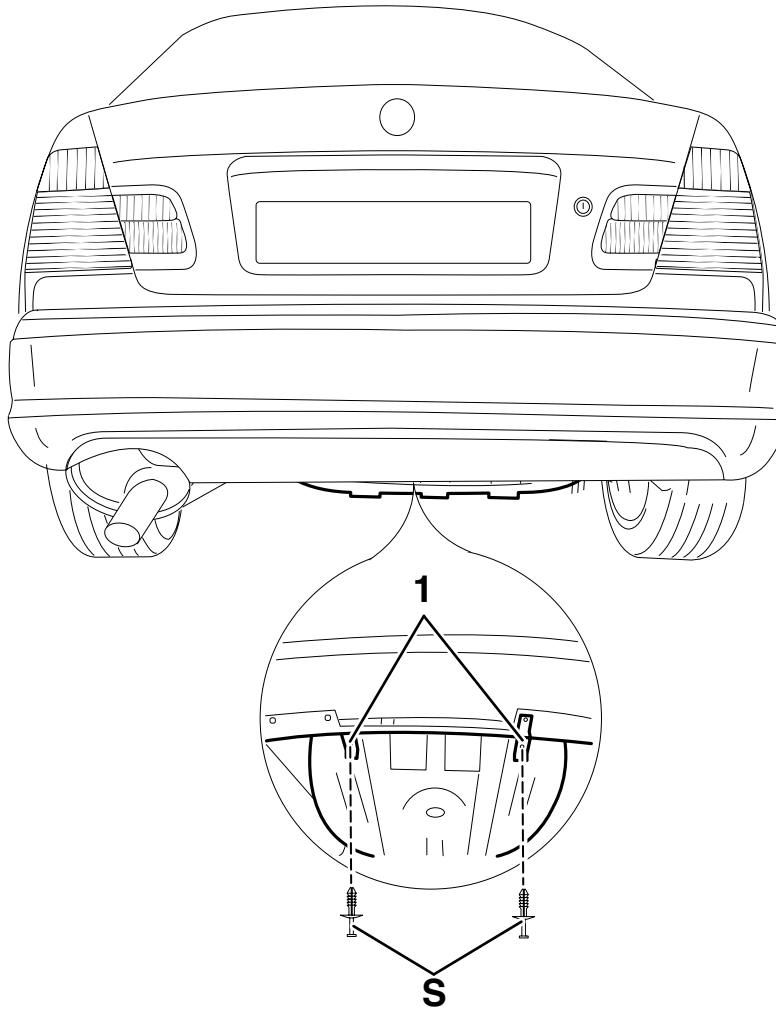


046 0860 B

TIS 51 12 000

- Attach the lateral guides **R**
- Install items **M**, **N** and **O** in the rear apron (clip in the sensors if PDC is fitted)
- Fit the pre-assembled rear apron **L** onto the car
- Fit the trim **P**
- Fit the bottom mounting point **Q**

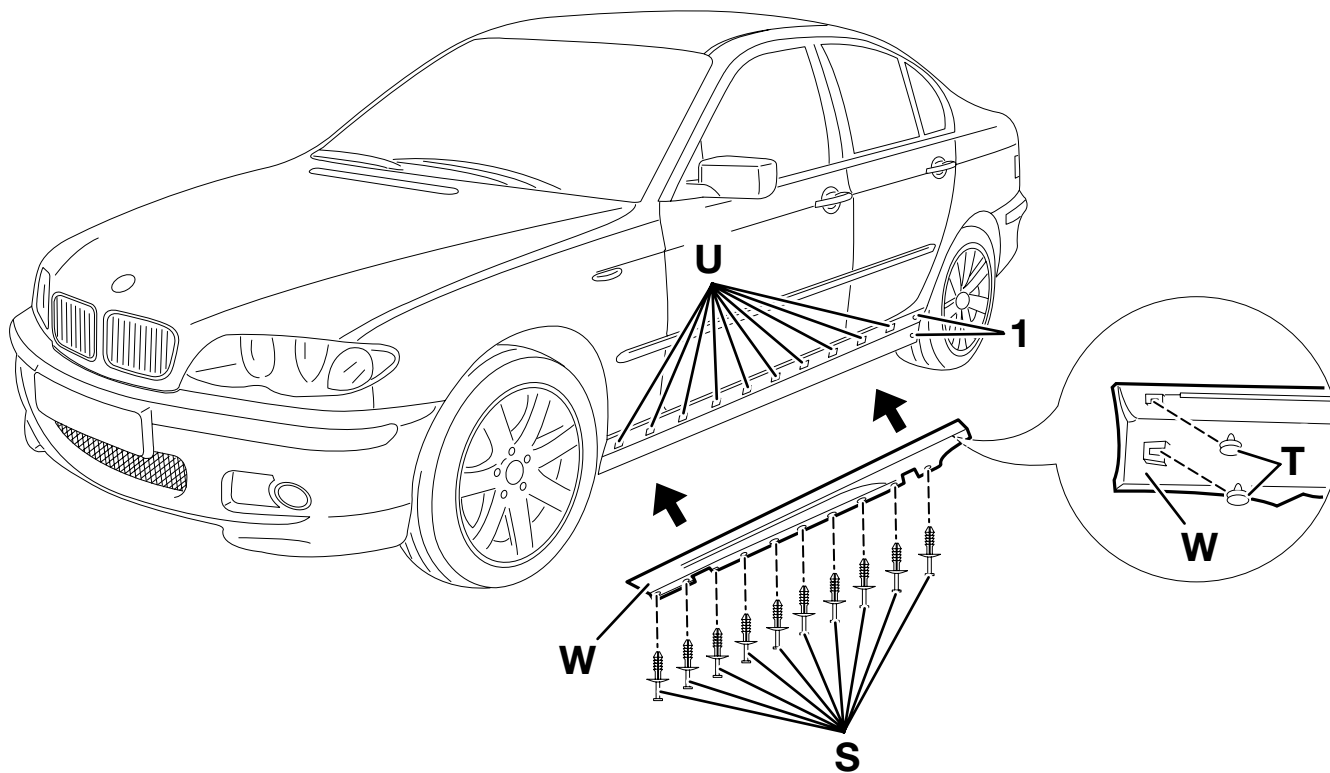
6. To install the rear apron



046 0861 B

Drill a 6 mm hole at each of positions **1**.
Insert expanding rivets **S**.

7 To install the side skirts



046 0856 B

TIS 51 71 447

- Fit new clips **U**
- Remove clips at positions **1**
- Fit clips **T** on the side skirt **W**
- To install the side skirt
- Insert expanding rivets **S** into the side skirt **W** from underneath